

**Bailey
Morris
Limited**



Bailey Morris Ltd

Propshaft Manufacturer and Component Distribution

Product Catalogue

Effective Summer 2019

Tel: 0044 (0)1480 216250

Fax: 0044 (0)1480 403045

Email: sales@baileymorris.co.uk

Web: www.baileymorris.co.uk



BAILEY MORRIS CATALOGUE 2019 - INDEX

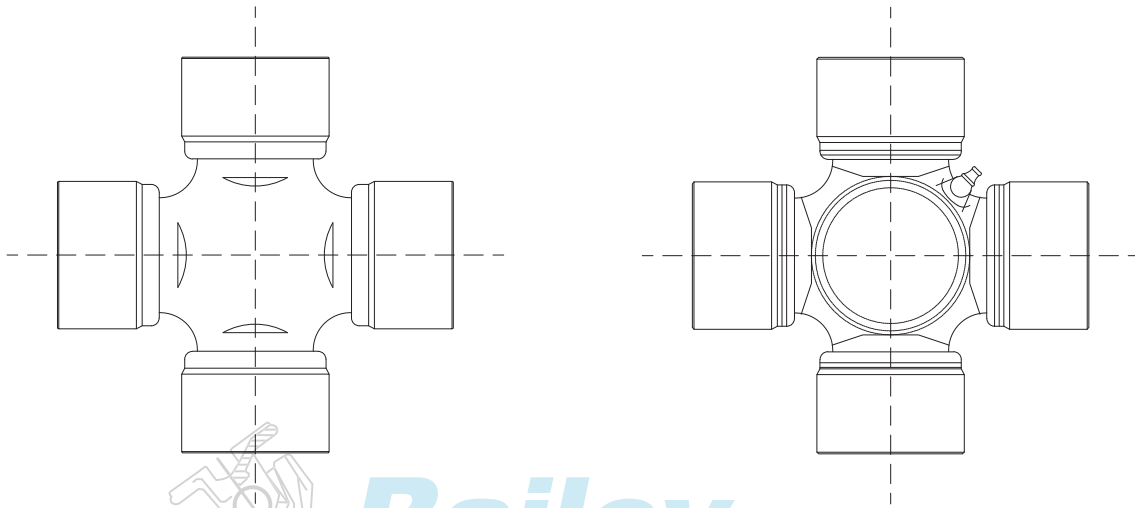
No.	SECTION	PAGES
1.	Universal Joint Listing By Joint Type & Size	7-46
2.	Universal Joint Listing By Bearing Cap Diameter & Span And By B.M. Ref Number	47-64
3.	Centre Bearings By Application And Dimension C/W Pictures	65-80
4.	Compact Style Spicer 2000 / 687 Series / Klein Components And GWB 128 & 228 Series Shafts	81-108
5.	Klein & Gwb 587 Series Components	109-122
6.	Industrial Shaft Components 587.50 To 390.65	123-126
7.	Mid End & Slip Mid Assy's KV, DIN, SAE, SPL, Volvo & Scania	127-130
8.	Scania Components (PF30/P300/P400/P460/PF420/P500/P540/PF520/P600/P612)	131-136
9.	Mercedes Propshafts & Components Inc Sprinter & Vito	137-142
10.	Volvo Components Nk300/Nk400/Nk500/Nk600 & Compact	143-150
11.	Elbe Components 0.105 To 0.120 Series. Inc Short Couples	151-160
12.	Mechanics Style Components (2C – 15C J800)	161-170
13.	Sae Style Components (1140 – 1810) Inc; Unwelded Shafts	171-202
14.	Spicer SPL Type Components (SPL41 – SPL250)	203-206
15.	Tubing – Imperial, Metric, Swaged & Resilient Tube In Tube	207-210
16.	Car & 4X4WD Joints, Components & Propshafts	211-236
17.	Ford Ranger & Transit Components & Propshafts	237-242
18.	Forklift Truck Driveshafts	243-246
19.	Coupling Flanges – Blank Or Pilot Bored	247-248
20.	Quick Release Couplings	249-250
21.	Identification Drawings	251-260
22.	C.V. Joints	261-262
23.	Maximum Continuous Torque Rating In (Nm) By Series	263-268

BRAND NAMES, ORIGINAL PART NUMBERS, NAMES AND DESCRIPTIONS OTHER THAN BM ARE USED FOR REFERENCE PURPOSES ONLY AND DO NOT NECESSARILY IMPLY THAT THE GOODS ARE OF ORIGINAL EQUIPMENT SPECIFICATION.

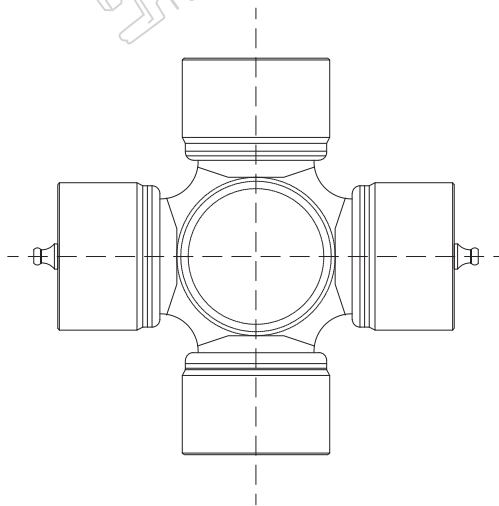
E. & O. E.

NON LUBE - SFL TYPE 0

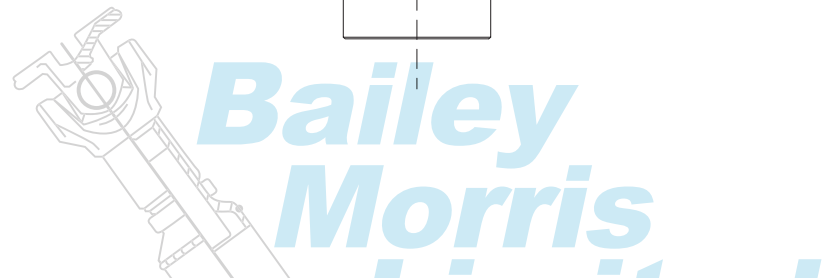
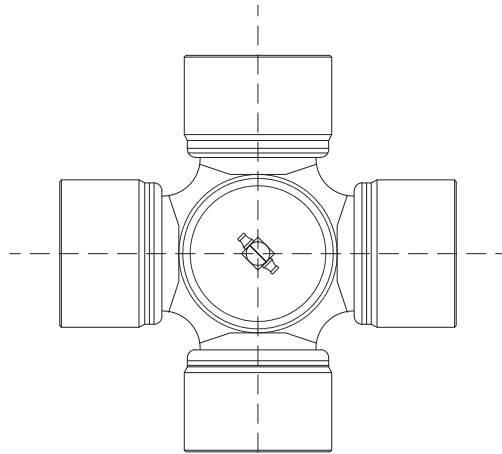
LATERAL - SIDE LUBE TYPE 1



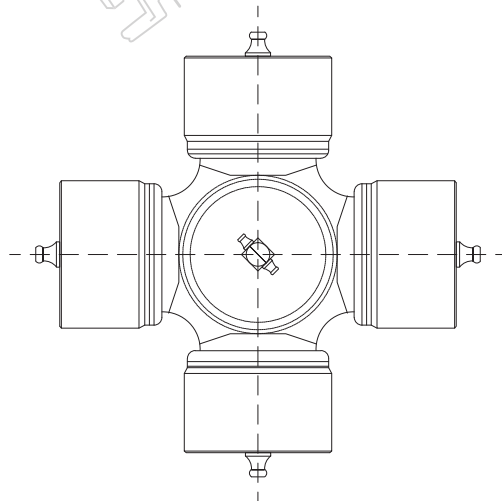
END LUBE - LUBE IN BRG CAP TYPE 2

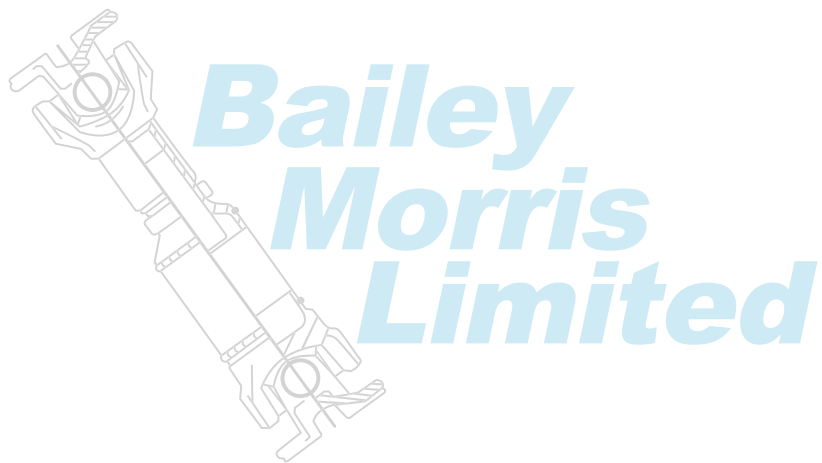


CENTRE LUBE TYPE 3



4 X END LUBE IN BEARING CAP TYPE 4





UNIVERSAL JOINTS LISTING BY JOINT TYPE & SIZE EXTERNAL CIRCLIP – TYPE A



LUBRICATION TYPES

SFL / SEALED FOR LIFE / MAINTENANCE FREE / NON-LUBE	0
LUBRICATOR IN SIDE OF CROSS - LATERAL	1
LUBRICATOR IN END OF ONE BEARING CAP	2
LUBRICATOR IN CENTRE OF CROSS	3
LUBRICATOR IN END OF ALL FOUR BEARING CAPS	4
LUBRICATOR IN END OF TWO BEARING CAPS	5
LUBRICATOR THROUGH BEARING CAP	6

BM REF #	CAP Ø X mm	SPAN Y mm	LUBE TYPE	COMMENTS
BM287	14	36	3	204.010
BM446	14	36	2	END LUBE
BM01	15	40.1	2	473.10 END LUBE
BM827	15	46	0	(SFL)
BM03	17	41	2	ELBE 0.105 END LUBE
BM346	17	41	3	ELBE 0.105 CENTRE LUBE
BM04	18	47	3	CENTRE LUBE
BM09	19	44	0	STEERING JOINT (SFL)
BM10	19	48	3	ELBE 0.106 CENTRE LUBE
BM460	19	48	2	ELBE 0.106 2 X END LUBE
BM120	19	52	3	0500 / CENTRE LUBE GU350
BM120/1	19	52	3	0500 / CENTRE LUBE
BM366	20	44	0	MOTO GUZZI (SFL)
BM652	20	50	3	
BM14	20	57	2	TOYOTA GUT11
BM689	20	57.5	3	JAPANESE
BM11	20.02	54.8	2	DAIHATSU GUD81 END LUBE
BM425	20.5	56.6	3	ISUZU KUBOTA NISSAN GUN44 GUI59
BM859	21	56	3	ELBE 0.107 SRS OLD TYPE
BM22	22	50.2	3	SCANIA STEERING JOINT
BM24	22	54.8	3	AGRICULTURAL - GUA4
BM416	22	55.6	3	ZF STEERING - GU1700
BM28	22	58	3	ELBE 0.107 CENTRE LUBE
BM25	22	58	2	ELBE 0.107 END LUBE
BM23	22	58.8	3	473.20 SRS
BM493	22	59	2	WET 13 075 002 - LUBE IN 1 X BRG CAP
BM453	22	65	0	HONDA (SFL) GUH03
BM20	22.02	54.15	3	AGRICULTURAL

BM REF #	CAP Ø X mm	SPAN Y mm	LUBE TYPE	COMMENTS
BM27	22.5	35.2	2	DAIHATSU, MAZDA GUMZ10
BM799	22	48	3	VARIOUS
BM194	23.8	61.3	1	1140 STANDARD / SIDE LUBE (EXTENDED NIPPLE)
BM31	23.8	61.3	3	1140 STANDARD / CENTRE LUBE
BM621	23.8	61.3	1	1140 (MATSUBA / UJ-023) SIDE LUBE
BM161/1	23.8	61.3	0	1140 STANDARD / (SFL)
BM414	23.8	61.3	2	1140 STANDARD / END LUBE IN CAP
BM29	23.8	61.3	1	1140 PREMIUM DUTY / LUBE
BM29/1	23.8	61.3	1	1140 PREMIUM DUTY / LUBE - HS152 C/W THRUST WASHERS
BM230	23.8	61.3	0	1140 HEAVY DUTY / SFL (FREELANDER)
BM230/1	23.8	61.3	0	1140 HEAVY DUTY / SFL (FREELANDER) O. E. SPECIFICATION
BM483	23.8	86	3	BYPY 412040012 OFFSET
BM34	24	63.4	0	ALFA ROMEO (SFL) GU200L
BM713	27	74.6	1	COMBINATION 27X74.6MM / 24X91MM ON OPPOSITE SPAN
	24	91		
BM645	25	60.3	0	NSU (SFL)
BM305	25	64	0	SUZUKI GUH-02 (SFL)
BM39	25	76.5	0	MINI GUM88 / GUM91 (SFL)
BM511	25.01	77.8	3	MINI GUM76 SIDE LUBE
BM40	25.02	63.8	2	MINI
BM512	26	68	3	MINI GUM84
BM46	26	69.8	0	287.00 (SFL)
BM221	26	69.8	2	287.00 END LUBE
BM193	26	69.8	3	287.00 CENTRE LUBE
BM697	26	69.8	3	287.00 CENTRE LUBE - METAL SEALS
BM367	26	72.1	3	GEWES 30 SRS
BM49	27	61.9	2	HYUNDAI 1210 GU800
BM49/1	27	61.9	2	HYUNDAI 1210 SPICER ORIGINAL 5-443X
BM492/1	27	61.9	0	SANDERSON 1210 SPICER (SFL)
BM828	27	61.9		27X61.9MM & 25.4X38.63 I/C ON OPPOSITE SPAN
	25.4	38.63		
BM56		65.3	2	MINI GUM77
BM209	27	66.3	3	KLEIN 080 GENUINE / KRAMER
BM58	27	70	3	AGRICULTURAL
BM475	27	70.15	6	LUBE HOLE THROUGH SIDE OF BRG CAP ELBE 0.408 SRS
BM254	27	71	3	CENTRE LUBE - C/w 1.3MM CIRCLIPS
BM255	27	71	0	C/w 1.3MM CIRCLIPS (SFL)
BM255A	27	71	0	C/w 1.3MM CIRCLIPS (SFL)
BM195	27	74.6	1	1300 STANDARD / SIDE LUBE
BM195A	27	74.6	1	1300 (MATSUBA / UJ-055) SIDE LUBE
BM195B	27	74.6	1	1300 (GMB GU-1100) SIDE LUBE
BM52	27	74.6	1	1300 INTERMEDIATE SHROUDED SEALS & THRUST WASHERS
BM52/2	27	74.6	1	1300 SPICER ITALCARDANO - SIDE LUBE
BM52/3	27	74.6	1	1300 PREMIUM DUTY (METAL SEALS & THRUST WASHERS)
BM332	27	74.6	3	1300 STANDARD / CENTRE LUBE
BM54	27	74.6	0	1300 C/w STEEL SEAL RETAINERS & THRUST WASHERS (SFL)
BM297	27	74.6	0	1300 PREMIUM DUTY (SFL)
BM297/1	27	74.6	0	1300 PREMIUM DUTY (SFL) O.E. ORIGIN
BM236	27	74.6	3	SPICER GENUINE 2015 / 687.15 CENTRE LUBE
BM236A	27	74.6	3	2015 / 687.15 CENTRE LUBE
BM352	27	74.6	2	2015 / 687.15 GENUINE 2 X END LUBE
BM450	27	74.6	0	2015 / 687.15 (SFL) INA BRGS
BM620	27	74.6	4	2015 / 687.15 GENUINE 4 X LUBE IN END OF CAP

BM REF #	CAP Ø X mm	SPAN Y mm	LUBE TYPE	COMMENTS
BM766	27	74.6	1	1300 / 1310 SRS COMBINATION JOINT C/w THRUST WASHER
	27	81.8		
BM713	27	74.6	1	COMBINATION 27X74.6MM / 24X91MM ON OPPOSITE SPAN
	24	91		
BM422	27	80	1	HYUNDAI "INA" BRG CAPS GUK17
BM300	27	81.8	0	1310 STANDARD (SFL)
BM781	27	81.8	0	1310 (SFL) GMB TYPE GU1310SP
BM592	27	81.8	0	1310 HEAVY DUTY (SFL)
BM247	27	81.8	0	1310 ORIGINAL SPICER 5-625X (SFL)
BM55	27	81.8	1	1310 STANDARD / SIDE LUBE
BM728	27	81.8	1	1310 (MATSUBA UJ-016) SIDE LUBE
BM55/1	27	81.8	1	1310 C/w LARGER CROSS JOURNAL (PIN Ø 18.2M)
BM55/2	27	81.8	1	1310 (GMB GU-1000) SIDE LUBE
BM50	27	81.8	1	1310 H.D. METAL SEAL & THRUST WASHER
BM50/1	27	81.8	1	1310 SPICER ITALCARDANO SIDE LUBE
BM50/2	27	81.8	1	1310 H.D. METAL & RUBBER SEAL & THRUST WASHER
BM50/3	27	81.8	1	1310 H.D. AYRA SPICER TYPE - IVECO
BM50/4	27	81.8	1	1310 H.D. PLASTIC SEALS & THRUST WASHER
BM50/5	27	81.8	1	1310 H.D. STEEL SHROUD & THRUST WASHERS HS163
BM50/8	27	81.8	1	1310 H.D. HIGH TEMP
BM605	27	81.8	1	1310 ORIGINAL SPICER 5-153X
BM570	27	81.8	2	1310 END LUBE VERSION 5-810X ALTERNATIVE
BM733	27	81.8	2	1310 ORIGINAL SPICER 5-1310-1X (5-810X) LUBE IN CAP - RANGER
BM509	27	81.8	4	2C / 1310 C=27MM L=81.8MM EXTERNAL CIRCLIP
BM766	27	74.6	1	1300 / 1310 SRS COMB JOINT C/w THRUST WASHERS
		81.8		
BM555	27	81.8	1	1310 / 7260 COMB 27X81.8MM / 27.4X54MM I/C OPP SPAN
	27.4	54		
BM815	27	81.8	0	1310 / 7260 COMB 27X81.8MM / 27.4X54MM I/C OPP SPAN (SFL)
	27.4	54		SPICER
BM694	27	81.8	1	1310 / 2R COMB 27X81.8MM / 25.4X59.4MM I/C ON OPPOSITE SPAN 2060W
	25.4	59.4		
BM656	27	28	1	1310 COMB 28X80MM ON OPPOSITE SPAN DAIHATSU
	28	80		
BM345	27	81.8	1	1310 / 1330 COMB 27X92MM ON OPPOSITE SPAN
	27	92		
BM345/1	27	81.8	1	1310 / 1330 COMB 27X92MM ON OPP SPAN
	27	92		SPICER ORIGINAL 5.134X
BM432	27	81.7	1	1310 / 28X56MM INTERNAL CIRCLIP COMBINATION
	28	56		
BM131	27	81.8	1	1310 / 1350 COMBINATION 30.2X92.1MM ON OPPOSITE SPAN
	30.2	92.1		
BM438	27	81.8	1	1310 SRS TO 3RL COMBINATION / 27X81.8MM / 28.6X65MM I/C
	28.6	92.1/65		
BM617	27	84.4	1	1310 SRS C/w HOLE IN BODY TO SUIT 1310SRS DOUBLE JOINT
BM748	27	84.4	1	1310 SRS W/o HOLE IN BODY TO SUIT 1310SRS DOUBLE JOINT
BM57	27	85	1	AGRICULTURAL
BM59	27	92.1	1	1330 STANDARD
BM782	27	92.1	1	1330 GMB G5-213X
BM800	27	92.1	0	1330 **NEAPCO GOLD LINE** (SFL)
BM669	27	92.1	1	1330 SPICER ORIGINAL
BM452	27	92.1	1	1330 LANDROVER DISCOVERY GKN

BM REF #	CAP Ø X mm	SPAN Y mm	LUBE TYPE	COMMENTS
BM681	27	92.1	2	1330 SRS END LUBE FORD RANGER / HILUX - SPICER 5-812X
BM578	27	92.1	1	27X92.1MM 1330SRS / 30.2X92.1 1350 SRS ON
	30.2			OPP SPAN 5-648X
BM684	27	92.1	0	UNIVERSAL JOINT 27X92.1MM 1330 DANA SPL25 (SFL)
BM437	27	92.1	1	CLEVELAND S55-55-675 28.58X81.8MM / 27X60.45MM I/C
	28.6	60		& 81.8MM EXT CIRCLIP
BM712	27	92.1	1	1330 SRS TO 7290 SRS COMBINATION 27X92.1MM /
	28.6	66.6		28.6X66.6MM INTERNAL CIRCLIP ON OPPOSITE SPAN
BM633	27	94	3	AGRICULTURAL 27X94 / 32X76MM COMBINATION
	32	76		
BM661	27	100	1	AGRICULTURAL
BM65	28	71.5	3	ELBE 0.109 CENTRE LUBE
BM62	28	71.5	3	ELBE 0.109 2 X END LUBE
BM285	28	76.5	3	KLEIN ORIGINAL
BM63	28.01	80	3	DAIHATSU PREMIUM GUD84
BM726	28.5	70		ELBE 408 SRS STEER AXLE LUBE IN SIDE OF BRG CAP
BM64	28.5	70.9	3	ELBE 0.109 (NEW) REPLACES 28X71.5
BM770	28.5	70.9	2	ELBE 0.109 (NEW) LUBE IN SIDE OF BRG CAP - FOR DOUBLE JOINT
BM798	28.5	70.9	4	ELBE 0.109 (NEW) 2 X END LUBE
BM763	28.5	70.9	0	ELBE 0.109 MAINTENANCE FREE (SFL)
BM66	28.5	77.9	3	TOYOTA & MITSUBISHI GUM86
BM418	28.57	75	0	FORD ZEPHYR / ZODIAC (SFL) GU290
BM07	28.58	66.68	3	L14N ROCKWELL
BM577	28.6	64.9	1	1350SRS / 3R COMBINATION 30.2X92.1MM & 28.6X64.9MM
	30.2	92.1		INTERNAL CIRCLIP ON OPPOSITE SPAN
BM603	28.58	81.8	1	CLEVELAND S55-55-675 28.58X81.8MM / 27X60.45MM I/C
	27	60.45/81.8		& 81.8MM EXT CIRCLIP
BM624	29	76	0	VAUXHALL U705 (SFL)
BM71	30	81.8	3	287.10 CENTRE LUBE U742 / GUA-10
BM71/1	30	81.8	3	287.10 CENTRE LUBE INA BRG CAPS
BM491	30	81.8	0	287.10 (SFL)
BM553	30	81.8	2	287.10 4 X END LUBE6
BM288	30.2	82	3	GEWES CENTRE LUBE
BM362	30	82.4	0	C/w INA BRG CAPS (SFL)
BM732	30	82.4	4	2X END LUBE
BM72	30	83	3	ELBE 0.110 CENTRE LUBE
BM212	30	83	2	ELBE 0.110 END LUBE IN 2 X BRG CAPS
BM701	30	83	4	ELBE 0.110 4X END LUBE
BM364	30	83	0	ELBE 0.110 LUBE IN CIRCUMFERENCE OF CAP (SFL)
BM662	30	83	0	ELBE 0.110 MAINTENANCE FREE (SFL)
BM850	30	83	3	ELBE 0.110 CTR LUBE - HIGH TEMP 180 DEGREES
BM632	30	88	3	BUGATTI
BM641	30	92	0	SFL
BM389	30.17	92	2	ELBE TO SUIT DEUTZ TRACTOR
BM76	30.2	80	3	AGRICULTURAL CENTRE LUBE
BM232	30.2	81.8	3	687.20 C/w WITH LUBE & 1.5MM CIRCLIPS
BM232A	30.2	81.8	3	687.20 C/w WITH LUBE & 1.5MM CIRCLIPS HEAVY DUTY
BM232/1	30.2	81.8	3	687.20 C/w WITH LUBE HEAVY DUTY INA BRG CAPS
BM77	30.2	81.8	3	SPICER ORIGINAL 687.20 / 2020
BM394	30.2	81.8	3	687.20 C/w WITH LUBE
BM355	30.2	81.8	2	2020 / 687.20 LUBE IN CAP
BM412	30.2	81.8	0	2020 / 687.20 (SFL) SPICER
BM412A	30.2	81.8	0	2020 / 687.20 (SFL) INA BRG CAPS

BM REF #	CAP Ø X mm	SPAN Y mm	LUBE TYPE	COMMENTS
BM855	30.2	81.8	3	2020 / 687.20 - MATSUBA UJ-039
BM844	30.2	81.8	2	2020 / 687.20 - LUBE IN CAP - DOUBLE JOINT APPLICATION
BM256	30.2	82	0	BTB TYPE 1.2MM CIRCLIPS - STEER AXLE (SFL)
BM256A	30.2	82	0	JCB TYPE 1.2MM CIRCLIPS - STEER AXLE (SFL)
BM289	30.2	82.4	2	GEWES END LUBE
BM376	30.2	86.7	3	BONDIOLI
BM73	30.2	92.1	1	1350 STANDARD
BM623	30.2	92.1	1	1350 SRS 5-178X SPICER ORIGINAL WITH LUBE
BM801	30.2	92.1	0	1350 SRS **NEAPCO GOLD LINE** (SFL)
BM572	30.2	92.1	0	1350 SERIES / ALLOY BRG CAPS (SFL) BRUTE FORCE
BM665	30.2	92.1	0	1350 DANA SPL30 (SFL) 5-799X
BM665A	30.2	92.1	0	1350 MATSUBA SPL30 (SFL) 5-799X
BM643	30.2	92.1	1	1350 (MATSUBA UJ-037)
BM643/1	30.2	92.1	2	1350 SERIES / END LUBE IN CAP
BM404	30.2	92.1	3	NEW GENERATION FORD TRANSIT CENTRE LUBE
BM750	30.2	92.1	3	GKN TYPE - LANDROVER
BM664	30.2	92.1	1	1350 / 1410 COMBINATION JOINT
	30.2	106.3		
BM469	30.2	95.4		T60 COMER - AGRICULTURAL
	30.2	101.4		
BM179	30.2	106.3	1	1410 STANDARD / SIDE LUBE
BM179A	30.2	106.3	1	1410 STANDARD/ ORIGINAL SPICER 5-153X
BM802	30.2	106.3	0	1410 **NEAPCO GOLD LINE** (SFL)
BM806	30.2	106.3	1	1410 SPICER ORIGINAL - 5-462X WITH STEEL SHROUDS
BM211	30.2	106.3	0	SPL41 (SFL) TRIPLE LIP SEAL 5-641X SPICER ORIGINAL
BM663	30.2	106.3	0	1410 SERIES "BRUTE FORCE" HIGH SPEC (SFL)
BM499	30.2	106.3	1	1410 SERIES MITSUBISHI O.E WITH LUBE SPICER ORIGINAL
BM729	30.2	106.3	1	1410 SERIES MATSUBA UJ-042 WITH LUBE
BM561	30.2	106.3	1	1410 SERIES HEAVY DUTY WITH SIDE LUBE
BM825	30.2	106.3	2	1410 SERIES SPICER END LUBE IN BRG CAP
BM829	30.2	106.3	0	1410 / 1480 COMBINATION JOINT
	34.9	106.3		
BM591	30.2	106.2	1	1410 SERIES / DETROIT 5380 31.3X76.1MM ON OPPOSITE
	31.3	76.1		SPAN 4300A
BM167	30.2	106.3	1	1410 SERIES / 4C MECHANICS HIGH WING DRILLED COMBINATION
BM762	30.2	106.3	1	1410 SERIES / 5C 42.9X88.9MM SIDE LUBE 5-12913X
	42.9	88.9		
BM340	31	110	3	MERCEDES ATEGO C/w INA BEARINGS & LUBE
BM340A	31	110	3	MERCEDES ATEGO WITH LUBE (ALTERNATIVE)
BM616	31.8	81.3	1	WEASLER 31.8X81.3MM / 28.6X108MM ON OPPOSITE SPAN
	28.6	108		
BM322	31.8	81.4	5	SPICER 1340 SRS 2593A CTR LUBE & 2 X END LUBE
BM518	32	57	1	MAZDA GUMZ3
BM82	32	76	3	AGRICULTURAL GUA14
BM633	27	94	3	AGRICULTURAL 27X94 / 32X76MM COMBINATION
	32	76		
BM459	32	83.9	1	5C MECHANICS ON OPPOSITE SPAN GUKO-30
BM112	32	86	0	JOHN DEERE TRACTOR
BM217A	32	95.6	3	JCB STEER AXLE - ALTERNATIVE
BM810	32	106	3	WALTERSCHEID 36.06.00 W2580 SRS 36X89MM ON OPP SPAN
	36	89		
BM81	32	106.3	3	FIAT

BM REF #	CAP Ø X mm	SPAN Y mm	LUBE TYPE	COMMENTS
BM514	32	107	3	NISSAN GUN31 c/w PLATES & BOLTS
BM670	33	93	3	ISUZU GUIS66
BM696	33	104	3	ISUZU
BM205	34	89	3	KLEIN 125 GENUINE / UNIMOG & KRAMER
BM83	34	97	3	ELBE 0.112 CENTRE LUBE
BM85	34	97	2	ELBE 0.112 END LUBE
BM736	34	97	3	ELBE 0.112 COMBINATION 34X97MM / 35X97MM
	35			
BM752	34	104.6/ 109.4	3	6C MECHANICS ON OPPOSITE SPAN
BM84	34	107	1	EXTERNAL CIRCLIP GUT-15
BM479	34.9	92	3	687.25 C/W INA BRGS
BM89	34.9	92	3	687.25 GENUINE
BM583	34.9	92	0	687.25 GENUINE NON LUBE (SFL)
BM704	34.9	92	3	HIGH TEMPERATURE - CENTRE LUBE
BM263	34.9	106.4	1	1480 STANDARD
BM829	30.2	106.3	0	1410 / 1480 COMBINATION JOINT
	34.9	106.3		
BM272	34.9	106.4	1	1480 SRS ORIGINAL SPICER 5-263X
BM361	34.9	106.4	2	1480 SRS END LUBE IN 1 X BRG CAP
BM440	34.9	106.4	1	SPL55 SPICER ORIGINAL LUBE
BM441	34.9	106.4	0	SPL55 SPICER ORIGINAL (SFL)
BM170	34.9	106.4	1	1480 / 5C COMBINATION 34.9X106.4MM / 42.9X88.9MM 5-347
BM761	34.9	106.4	1	1480 / 5C HWT COMBINATION 34.9X106.4MM / 42.9X88.9MM 5-348
BM88	34.9	106.4	3	687.30 SRS C/W INA BRG CAPS
BM87	34.9	106.4	3	687.30 SRS SPICER ORIGINAL
BM87A	34.9	106.4	3	687.30 SRS ALTERNATIVE
BM423	34.9	106.4	0	687.30 SRS (SFL) SPL55
BM508	34.9	106.4	1	687.30 SRS LATERAL (SIDE) LUBE
BM835	34.9	106.6	0	687.30 SRS (SFL)
BM275	34.9	126.2	1	1550 STANDARD
BM161	34.9	126.2	1	1550 SPICER ORIGINAL
BM173	34.9	126.2	1	1550 / 6C COMBINATION 42.9X114.3MM 5-303X
BM554	34.9	126.2	1	SPL70-1X WITH LUBE
BM354	34.9	126.2	1	6C/SPL70 2 X HIGH WING DRILLED 34.9X126.2 /
	42.9	114.3		42.9X114.3MM SPICER
BM250	34.9	126.2	0	SPL70 SPICER ORIGINAL (SFL)
BM692A	35	93	3	JCB STEER AXLE
BM225	35	93	0	SPICER ORIGINAL 1.5MM CIRCLIPS JCB O.E. (SFL)
BM257	35	93	2	BTB01788 NON LUBE 1.5MM CIRCLIPS
BM90	35	96.8	3	287.20 / 587.10
BM207	35	96.8	2	287.20 END LUBE
BM716	35	96.8	0	287.20 SFL INA BRG CAPS
BM872	35	96.8	4	587.10 4X END LUBE INA BRG CAPS
BM198	35	97	3	ELBE 112.201 CENTRE LUBE (REPLACES 34X97MM)
BM199	35	97	2	ELBE 112.012 END LUBE (REPLACES 34X97MM)
BM788	35	97	2	ELBE 112.
BM832	35	97	0	ELBE 0.112 MAINTENANCE FREE (SFL)
BM342	35	103.92	3	mitsubishi cantor GUIS62
BM249	35	106.4	1	SIDE LUBE
BM515	35.5	119.2	3	NISSAN GUN32
BM93	36	89	3	AGRICULTURAL GUA20

BM REF #	CAP Ø X mm	SPAN Y mm	LUBE TYPE	COMMENTS
BM810	36	89	3	WALTERSCHEID 36.06.00 W2580 SRS 32X106MM
	32	106		ON OPP SPAN
BM92	36	115.6	1	HINO GUH74
BM192	38	89.2	0	KLEIN 200 GENUINE / (SFL)
BM811	38	104	3	MITSUBISHI GUM82
BM773	38	104.5		GWB 587.12 MERCEDES UNIMOG
BM96	38	105.8	3	387.20 CENTRE LUBE U744
BM218	38	106	3	0.113.010.0001 ELBE SERIES CENTRE LUBE
BM482	38	106	2	0.113 ELBE SERIES END LUBE
BM381	38	106	2	2 X HIGH WING DRILLED 42.9X114.3MM / 38X106MM
	42.9	114.3		ON OPPOSITE SPAN
BM97	38	110	0	KLEIN 196 ORIGINAL / MAN (SFL)
BM100	38	110	3	KLEIN 196 ORIGINAL / CENTRE LUBE IVECO
BM520	38	110	0	UNIMOG / KLEIN ORIGINAL (SFL)
BM269	38	112	3	KLEIN
BM276	38.9	109.4	1	KOMATSU 4502A
BM101	39	127	3	SCANIA T50 GU3850
BM803	39.69	115.95	1	1510 SERIES C/w LOOSE PLATES
BM176	39.7	115.9	1	1510 SERIES STANDARD
BM176/1	39.7	115.9	1	1510 SERIES HEAVY DUTY MATSUBA
BM102	39.7	115.9	3	1630 SERIES COMPACT / (1510 HEAVY DUTY) 6350-001Y
BM516	39.98	118	1	TOYOTA GUT16
BM737	40	115	3	ISUZU GUIS64
BM507	40	164.5		40X164MM / 51X180MM MECHANICS HIGH WING
	51	180		
BM580	41	108	5	BYPY & COMER AGRICULTURAL APPLICATION
BM725	41	118	3	BYPY10.41 CENTRE LUBE
BM103	41.3	126.2	3	SPL90 SP ICER STANDARD LUBE
BM103A	41.3	126.2	3	SPL90 LUBE ALTERNATIVE
BM386	41.3	126.2	0	SPL100 STANDARD (SFL)
BM104	41.3	142.5	1	1650 SRS 5-165X
BM190	41.3	142.5	1	1650 SRS / 7C MECHANICS HIGH WING DRILLED
	49.2	117.6		COMBINATION
BM809	42	104	3	WALTERSCHEID 26.00.00 SRS
BM107	42	104.5	3	KLEIN 253 GENUINE / 587.15
BM576	42	104.5	3	587.15 WITH INA BRG CAPS
BM521	42	104.5	0	SKF MAINTENANCE FREE (SFL)
BM836	42	104.5	0	MAINTENANCE FREE (SFL) AFM
BM15	42	106	3	MERCEDES / INA BEARINGS / CENTRE LUBE
BM15A	42	106	3	MERCEDES CENTRE LUBE
BM391	42	106	0	MERCEDES (SFL)
BM286	42	117.5	3	ELBE 0.148 SRS CENTRE LUBE
BM448	42	117.5	2	ELBE 0.148 SRS LUBE IN CAP
BM519	42	117.5	4	ELBE 0.148 SRS LUBE IN 4 X CAPS
BM219A	42	119.4	3	687.35 ALTERNATIVE C/w THRUST WASHERS
BM219	42	119.4	3	687.35 C/w INA BRG CAPS
BM105	42	119.4	3	687.35 GENUINE SPICER
BM513	42	119.4	0	687.35 HIGH TEMP SPICER - VOLVO (SFL)
BM531	42	119.4	0	687.35 (SFL) SPICER
BM531A	42	119.4	0	687.35 (SFL) EUROPEAN ORIGIN
BM612	42	119.4	4	687.35 LUBE IN ALL 4 BEARING CAPS
BM675	42	122	0	ELBE 415 SRS STEER AXLE (SFL)
BM106	42	123	3 & 5	ELBE 115.012

BM REF #	CAP Ø X mm	SPAN Y mm	LUBE TYPE	COMMENTS
BM111	44	124.8	3	MAGIRUS & MAN / CENTRE LUBE U746
BM517	44	129	3	MITSUBISHI GUM71
BM110	44	149	1	SCANIA T60
BM113	45	120.4	3	MERCEDES U753
BM114	45	121.4	3	KLEIN
BM115	45	131	5	0.116 ELBE
BM417	45	152	3	0.118 ELBE
BM857	45	152	4	0.118 ELBE END LUBE IN CAP
BM302	47	131	3	IVECO GWB 387.30 SERIES U810
BM848	47.6	135.2	3	687.40 / 2040 TO 7C 4 X HWD 49.2X117.6MM COMBINATION
	49.2	117.6		
BM613	47.6	134.8	3	GLAENZER 706SRS 47.6X134.MM
	68	111		(68X111MM MECHANICS ON OPPOSITE SPAN)
BM117	47.6	135.2	3	687.40 / 2040 ORIGINAL SPICER
BM119	47.6	135.2	3	687.40 / 2040 ALTERNATIVE OF NON EUROPEAN ORIGIN
BM678	47.6	135.2	3	687.40 / 2040 ALTERNATIVE OF EUROPEAN ORIGIN
BM357	47.6	135.2	0	687.40 / 2040 ORIGINAL SPICER MAINTENANCE FREE (SFL)
BM795	47.6	135.2	0	687.40 / 2040 C/w SKF BRG CAPS OF EUROPEAN ORIGIN (SFL)
BM567	47.6	135.2	3	687.40 / 2040 ORIGINAL SPICER (HIGH TEMP)
BM668	47.6	135.2	3	687.40 / 2040 ORIGINAL SPICER (LOW TEMP)
BM622	47.6	135.2	4	687.40 / 2040 ORIGINAL SPICER 4 X END LUBE IN CAP
BM622A	47.6	135.2	4	687.40 / 2040 4 X END LUBE IN CAP
BM795	47.6	135.2	0	687.40 / 2040 SKF BRG CAPS MAINTENANCE FREE (SFL)
BM824	47.6	135.2		687.40 / 2040 TO KLEIN 490SRS COMBINATION - LUBE
	48	135.4		
BM06	48	116.5	3	KLEIN 375 ORIGINAL / 587.20
BM163	48	116.5	3	587.20 ALTERNATIVE
BM163/1	48	116.5	3	587.20 INA BRG CAPS
BM498	48	116.5	3	KLEIN 375 GENUINE C/w SKF BRG CAPS DAF
BM650	48	116.5	3	GWB 587.20 ORIGINAL CENTRE LUBE
BM862	48	116.5	4	587.20 SRS C/w LUBE IN ALL 4 BRG CAPS
BM124	48	126	3	MERCEDES / INA BEARINGS
BM124A	48	126	3	MERCEDES / ALTERNATIVE
BM30	48	126	0	MERCEDES / INA BEARINGS / (SFL)
BM659	48	126	4	MERCEDES / ELBE C/w LUBE IN ALL 4 BRG CAPS
BM502	48	126	5	ELBE / 6C HIGH WING MECHANICS COMBINATION
BM610	48	126		KEMPF C/w SKF BRGS - OIL BATH TYPE WITH THRU OILWAY
BM08/1	48	131	3	INA BEARINGS / CENTRE LUBE
BM824	47.6	135.2		687.40 / 2040 TO KLEIN 490SRS COMBINATION - LUBE
	48	135.4		
BM125	48	135.4	3	KLEIN 490 ORIGINAL
BM497	48	135.4	3	KLEIN 490 GENUINE C/w SKF BRG CAPS
BM358	48	135.4	0	KLEIN 490 NON LUBE C/w SKF BRG CAPS (SFL)
BM353	48	135.4	3	490 SRS ALTERNATIVE C/w INA BRG CAPS
BM674	49	135	1	BONDIOLI BYPY 7.89
BM559	49.2	150.8	3	STEER AXLE
BM127	49.2	154.7	3	687.50 / 2050SRS
BM127A	49.2	154.7	3	687.50 / 2050SRS ALTERNATIVE
BM759	49.24	150.88	0	ROCKWELL CP850
BM133	50	131	3	MAN
BM132	50	153	3	KEMPF 85 SERIES
BM410	52	129.6	0	MERCEDES UNIMOG (SFL)
BM08	52	133	3	KLEIN 495 GENUINE / 587.30

BM REF #	CAP Ø X mm	SPAN Y mm	LUBE TYPE	COMMENTS
BM16	52	133	3	587.30 / INA BEARINGS
BM16A	52	133	3	587.30 ALTERNATIVE
BM753	52	133	3	SPICER CENTRE LUBE
BM574	52	133	0	KLEIN NON LUBE (SFL)
BM135	52	147.2	3	KLEIN 590 GENUINE / 687.45
BM338	52	147.2	3	687.45 / INA BEARINGS
BM338A	52	147.2	3	687.45 ALTERNATIVE
BM319	52	147.2	0	KLEIN 590 (SFL) DAF & MAN
BM319A	52	147.2	0	SPICER GWB 2045 (SFL) VOLVO & MAN
BM319B	52	147.2	0	2045 (SFL) INA BEARING CAPS
BM536	52	147.2	0	2045 (SFL) SKF BEARING CAPS
BM651	52	147.2	3	HIGH TEMPERATURE
BM468	52	147.2		LOW TEMPERATURE
BM136	53	135	3	MERCEDES / INA BEARINGS
BM136A	53	135	3	MERCEDES
BM136/1	53	135	3	MERCEDES SKF BEARINGS
BM33	53	135	0	MERCEDES / MAINTENANCE FREE (SFL)
BM537	53	135	0	SKF MAINTENANCE FREE (SFL) MERCEDES
BM568	53	135	4	LUBE IN ALL 4 BEARING CAPS
BM184	55.6 71.4	205.6 168.4	1	1880/9C 2 X HIGHWING DRILLED 55.5X205.6MM / 71.4X168.4MM 5-326X
BM141	57	144	3	587.35 C/w INA BEARINGS
BM538	57	144	0	587.35 (SFL) MAINTENANCE FREE -SKF BRG CAPS
BM619	57	144	4	LUBE IN ALL 4 INA BEARING CAPS
BM143	57	152	3	KLEIN 620 GENUINE / 687.55
BM262	57	152	0	KLEIN 620 GENUINE / 687.55 (SFL) MAINTENANCE FREE
BM262A	57	152	0	SPICER ORIGINAL 687.55 (SFL) MAINTENANCE FREE
BM262B	57	152	0	INA BEARINGS / (SFL) MAINTENANCE FREE
BM539	57	152	0	SKF BEARINGS / (SFL) MAINTENANCE FREE
BM602	57	152	4	SPICER 2055 SRS WITH LUBE IN 4 BRG CAPS
BM715	57	152	4	KEMPF 1000.1096.955 WITH CTR LUBE & LUBE IN 4 BRG CAPS
BM144	57	152	3	2055 / 587.42 INA BEARINGS
BM144/1	57	152	3	2055 / 587.42 INA BEARINGS
BM144A	57	152	3	587.42 ALTERNATIVE
BM710	57	152	3	HIGH TEMP 60- 140 DEG CENT FOR RAIL APPPLICATIONS
BM467	57	152		2055 SRS LOW TEMPERATURE
BM397	57	164	3	587.42 / P500 SCANIA COMBINATION
	57	152		
BM145	57	172	3	KLEIN 680 SRS LUBE / IVECO & DAF
BM145A	57	172	3	KLEIN 680 SRS LUBE / IVECO & DAF ALTERNATIVE
BM424	57	172	0	KLEIN 680 SRS MAINTENANCE FREE (SFL) / IVECO & DAF
BM237	59	167.7	3	687.60 ALTERNATIVE C/w LUBE
BM147	59	167.7	3	ORIGINAL SPICER 687.60 C/w LUBE
BM238	59	167.7	0	ORIGINAL SPICER 687.60 MAINTAINENCE FREE / VOLVO (SFL)
BM238A	59	167.7	0	687.60 MAINTENANCE FREE / VOLVO (SFL) INA BRG CAPS
BM348	59	167.7	3	COMBINATION E220 687.60 / MECHANICS 79X137MM
	79	137		RENAULT
BM631	60	155	3	HINO
BM785	63.5	196.24	3	CP950 SRS CENTRE LUBE
BM149	65	143	1	GWB 190.50 SRS
BM148	65	172	3	KLEIN 700 GENUINE / 687.65 & 587.48 C/w SKF BRG CAPS
BM148A	65	172	3	687.65 & 587.48 ALTERNATIVE

BM REF #	CAP Ø X mm	SPAN Y mm	LUBE TYPE	COMMENTS
BM268	65	172	0	KLEIN 700 GENUINE / 687.65 & 587.48 (SFL) C/w SKF BRG CAPS
BM685	65	172	3	687.55 / 2065 SRS C/w INA BRG CAPS
BM778	65	172	3	687.55 / 2065 SPICER CENTRE LUBE
BM640	65	172	4	SPICER LUBE IN ALL 4 BRG CAPS
BM709	65	172	3	HIGH TEMP 60- 140 DEG CENT FOR RAIL APPPLICATIONS
BM548	65	172	3	P600 SCANIA 65X190MM / 587.48 COMBINATION
BM541	72	185	4	587.50 SRS C/w LUBE IN ALL 4 BRG CAPS
BM758	74	171	4	C/w LUBE IN ALL 4 BRG CAPS
BM442	74	179.9	4	EQUIVALENT TO KEMPF (VOITH S250.5) 4 X END LUBE
BM718	74	185	3&4	CENTRE LUBE & END LUBE IN ALL BRG CAPS
BM505	74	195	3	KEMPF 1000.1105.950
BM505IB	74	195	4	END LUBE IN ALL BRG CAPS
BM152	74	217	3	587.55 SRS LUBE IN ALL 4 BRG CAPS
BM639	77.8	255.1		ALTERNATIVE 1950 "DANA"
BM722	83	179.9	3&4	CENTRE LUBE & END LUBE IN ALL BRG CAPS
BM377IB	83	220	3&4	INA BRG CAPS 4 X END LUBE & CTR LUBE
BM719	83	195	3&4	CENTRE LUBE & END LUBE IN ALL BRG CAPS
BM323	83	231.4	3	GWB 587.60
BM720	83	217	3&4	C/w LUBE IN ALL 4 INA BRG CAPS
BM419	95	250	4	KEMPF & VOITH W285 / S315 CTR LUBE & 4 POINT END LUBE
BM419IB	95	250	4	KEMPF & VOITH 285 / S315 - INA BRGS CTR LUBE & 4 POINT END LUBE
BM783	110	245	4	VOITH S315.8 LUBE IN BRG CAPS
BM724	110	251.5	3&4	VOITH W285.5
BM378	110	275	3	KEMPF 1000.1135.950 / VOITH S350 CTR LUBE & 4 POINT END LUBE
BM797	145	296	3	VOITH WT350.8 SRS
BM503	145	336	3	VOITH WT390.9 SRS
BM805	188	420		VOITH WT490 / RT490

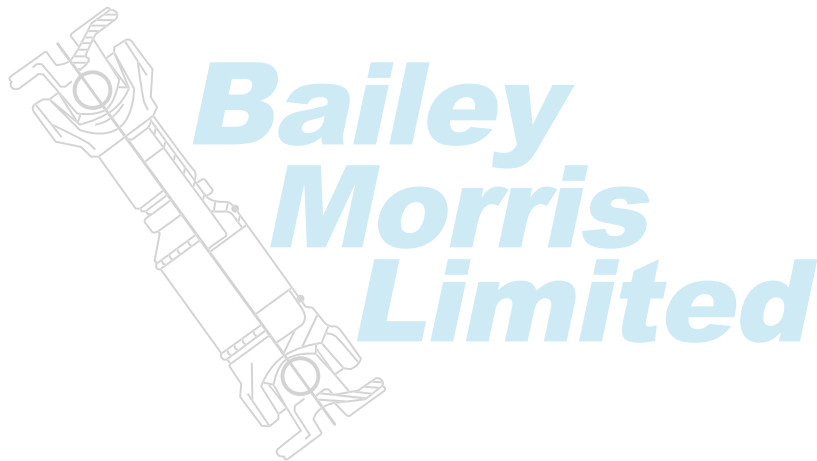
INTERNAL CIRCLIP JOINTS – TYPE B



BM REF #	CAP Ø X mm	SPAN Y mm	LUBE TYPE	COMMENTS
BM363	16	24.5	0	KAWASAKI (SFL) GUKW7
BM703	20	29/31.2	0	KAWASAKI END LUBE GUKW.2 (SFL)
BM734	20	37/40	0	YAMAHA
BM17/1	20.01	35/38	2	NISSAN GUN28
BM405	20.01	35/38	2	YAMAHA 2800-A
BM47	22.01	40	0	SFL BUT *CROSSED DRILED WITH CENTRE PLUG
BM197	22	35.56	2	TO REPLACE O.E STAKED TOYOTA
BM380	22	37.6/39.6	0	NISSAN FORK LIFT (SFL) GU2237
BM27	22.5	35	3	DAIHATSU GUD88
BM330	23.8	38.1	2	SPICER 1000 5-170X
BM626	24	34.34	2	OPEL U701
BM630	24.6	33.7/36.7	3	33.7MM INNER EDGES & 36.7MM OUTER EDGES
BM644	24.69	41.68	2	ROCKWELL 430-12 LUBE IN CAP
BM41	25	38.8	0	SUZUKI GUS-1 SFL
BM473	25	40.4	2	SUBARU GUSR-4
BM38	25	41.2	2	MAZDA GUMZ7
BM490	25	52	1	NISSAN GUN34
BM42	25.1	40	2	NISSAN GUN27
BM43	25.4	38.8	0	OPEL END LUBE GUS1
BM625	25.4	38.88	0	OPEL 25.4X 38.88MM I/C & 33.X43.6MM MECHANICS
BM828	25.4	38.63		27X61.9MM & 25.4X38.63 I/C ON OPPOSITE SPAN
	27	61.9		
BM489	25.4	59.4	3	NEAPCO (P.T.O) & OLDSMOBILE 2060D
BM694	25.4	59.4	1	1310 / 2R 27X81.8MM COMBINATION 25.4X59.4MM I/C
	27	81.8		ON OPPOSITE SPAN 2060W
BM44	26	42	2	TOYOTA GUT13
BM45	26	53.6	1	TOYOTA GUT12
BM48	26.5	48	2	MAZDA GUMZ9
BM290	27	42.15	3	NISSAN / ROCKWELL L12N 2525A
		46.1		42.15MM INNER EDGES / 46.1MM OUTER EDGES
BM344	27	46.1/49.1	0	NISSAN (SFL) GUN46
BM260	27	55.5	1	CHRYSLER/ CHEVROLET U102
BM299	27.38	50.8/53.9	2	DETROIT 7260 SERIES 2387 END LUBE
BM304	27.38	50.8/53.9	1	JENSEN & VOLVO PENTA 2387E
BM680	28	44	1	FORD TAUNUS GU-1720 / U172
BM793	28	48.4/51.6	3	KIA INTERNAL CIRCLIP 48.4MM INNER EDGES
BM356	28	49	1	MERCEDES INTERNAL CIRCLIP U728
BM739	28	49	0	MERCEDES INTERNAL CIRCLIP SFL
BM61	28	53	1	NISSAN GUN29
BM60	28	56	2	MAZDA GUMZ6
BM432	28	56	1	1310 COMBINATION 28X56MM INTERNAL / 27X81.8MM NISSAN
BM406	28.5	66		DODGE 28.5X66 / 27X55 COMBINATION
	27	55		

BM REF #	CAP Ø X mm	SPAN Y mm	LUBE TYPE	COMMENTS
BM223	28.58	49/53.8	2 & 3	TOYOTA / HILUX 2060V CENTRE LUBE & LUBE IN 1 X CAP
BM486	28.58	49	2	TOYOTA 1 X LUBE IN END CAP
BM480	28.58	66.68	1	ROCKWELL 3331A
BM437	28.6	55.2/60	1	CLEVELAND S55-55-675 28.58X81.8MM / 27X60.45MM I/C & 81.8MM EXT CIRCLIP
BM712	27	92.1	1	1330 SRS TO 7290 SRS COMBINATION 27X92.1MM / 28.6X66.6MM INTERNAL CIRCLIP ON OPPOSITE SPAN
BM67	28.6	60.2/64.9	1	3R GM 60.2MM INNER EDGES 3031B GMB
BM67/1	28.6	60.2/64.9	1	3R GM 60.2MM INNER EDGES 3031B
BM577	28.6	64.9	1	1350SRS / 3R COMBINATION 30.2X92.1MM
	30.2	92.1		28.6X64.9MM INTERNAL CIRCLIP ON OPPOSITE SPAN
BM438	28.6	65	1	1310 SRS TO 3RL COMBINATION / 27X81.8MM / 28.6X65MM I/C
	27	81.8		
BM347	28.6	60/65	1	1330 / 3R COMBINATION 28.6X60/65MM / 27X92.1MM 5-212X
	27	92.1		
BM606	28.6	77.6	1	4C 2 X HIGH WING DRILLED / 2 X INT CIRCLIP
	36.5	87.4		28.6X77.6MM (82.4MM)
BM68	29	49	3	TOYOTA HILUX / CENTRE LUBE GUT23
BM68A	29	49	3	TOYOTA HILUX / PREMIUM TYPE
BM213	29	49	2	TOYOTA HILUX / END LUBE
BM340/1	29	49	0	TOYOTA HILUX / NON LUBE (SFL)
BM69	29	50	1	ISUZU / TROOPER GUIS-52
BM488	29	50	2	ISUZU / TROOPER UJ230 END LUBE
BM772	29	50	0	ISUZU / TROOPER GUT-31 (SFL)
BM524	29	70	1	ISUZU - 97167317
BM215	30	55.1/58.1	3	MITSUBISHI GUM93
BM261	30	71	3	MITSUBISHI GUM96
BM415	30.15	52.4/55.5	0	CHEROKEE JEEP (SFL) 5-297X / 5-760X
BM76	30.2	80	3	BYPY 5.41 - GUA-11
BM79	31.02	44.1	0	TRANSIT GU1740
BM842	31.3	46	1	DETROIT 5160 50.8MM OVER OUTER EDGES
BM80	31.3	58	1	DEUTZ TRACTOR U256
BM552	31.3	72.2	1	CHRYSLER, DETROIT, DODGE 5380 76.1MM TO OUTER EDGES
BM518	32	57	3	MAZDA GUMZ3
BM162	32	61	1	TOYOTA GUT20
BM359	32	63.8	3	NISSAN PATROL GUN35
BM459	32	83.9	1	5C HIGH WING DRILLED COMBINATION GUKO-30
	42.9	88.9		32X83.9 INTERNAL CIRCLIP / 42.9X88.9MM
BM241	33.35	84	1	5C LOW WING THREADED COMBINATION
	42.9	88.9		33.35X84MM I/C / 42.9X88.9MM 5-5015X
BM273	33.4	84	1	5C HIGH WING DRILLED COMBINATION 33.4X84MM IC / 42.9X88.9MM ON OPPOSITE SPAN
	42.9	88.9		
BM471	34	51.6/56	3	WALTERSCHEID GUA15
BM226	34.9	72.2/76.1	1	DODGE RAM 5-332X
BM618	34.9	74.1	0	3-0485
BM242	33.4	109	1	6C HIGH WING DRILLED COMBINATION 5025S
	42.9	114.3		33.4X109MM I/C / 42.9X114.3MM ON OPPOSITE SPAN
BM601	37	66	1	MAZDA GUMZ8
BM13	38	57.2/62	3	MERCEDES U730
BM303	42	66	3	MERCEDES U747
BM427	44	80	3	LOBRO (85MM OUTER EDGES)
BM562	48	78/86	3	MERCEDES (86MM OUTER EDGES)
BM150	68	89	3	MERCEDES ACTROS INA BEARING CAPS

BM REF #	CAP Ø X mm	SPAN Y mm	LUBE TYPE	COMMENTS
BM150A	68	89	3	MERCEDES
BM75	68	89	0	MERCEDES ACTROS (SFL)
BM686	68	89	3	MERCEDES ACTROS SKF BRG CAPS
BM409	68	117	0	MERCEDES ACTROS MAINTENANCE FREE (SFL)



STAKED JOINTS – TYPE C



BM REF #	CAP Ø X mm	SPAN Y mm	LUBE TYPE	COMMENTS
BM02	15	38	0	(SFL) STEERING JOINT GU1538L
BM210	15	40	0	(SFL) BMW INA BEARINGS GU1540L
BM295	16	38	0	(SFL) HS117 / GU1638L
BM296	16	40	0	(SFL) HS113 / GU1640
BM608	19	44.4	0	(SFL) BMW GU1944 "INA BRG"
BM264	19	48	3	STEERING JOINT WITH CTR LUBE GU1948
BM556	19	48	0	(SFL) STEERING JOINT NON LUBE GU1948L
BM557	19	52	3	STEERING JOINT WITH LUBE
BM463	19	55.7	0	(SFL) DACIA
BM17/1	20	35	2	NISSAN GUN28
BM853	20	56.9	0	(SFL) SUZUKI STAKED OE
BM522	20.06	59.8	0	(SFL) SUZUKI GUS-6
BM12	20.07	52.4	0	(SFL) NISSAN GUN45
BM18	22	57	0	(SFL) TOYOTA GUT 24
BM19	22	64	0	(SFL) FORD GU295
BM21	22	67	0	(SFL) FORD GU296
BM341	22.06	61.7	0	(SFL) NISSAN SERENA / ISUZU GUIS63
BM560	22.06	64.5	0	(SFL) MITSUBISHI GUM85
BM776	24	56.5	0	(SFL) BMW X3 "OEM" ORIGINAL
BM808	24	61.5	0	(SFL) MERCEDES
BM35	24	62.5	0	(SFL) BMW GU298
BM35/1	24	62.5	0	(SFL) BMW GU298 C/w INA BRG CAPS
BM449	24	64.2	0	(SFL) NISSAN SERENA
BM37/1	24	74.5	0	(SFL) MERCEDES VITO GU299 BUDGET
BM37	24	74.5	0	(SFL) MERCEDES VITO GU299 INA BEARING CAPS
BM547	24	74.5	0	(SFL) MERCEDES VITO GU299 ORIGINAL OEM SPEC
BM32	27	78	0	(SFL) GU297
BM566	24	88	0	(SFL) MERCEDES SPRINTER & E CLASS
BM566/1	24	88	0	(SFL) MERCEDES SPRINTER & E CLASS C/W INA BRG CAPS
BM629	24.06	71.4	0	(SFL) MAZDA
BM53	27	71	0	(SFL) FORD TRANSIT INA BEARINGS
BM200	27	74	0	(SFL) SPRINTER
BM200/1	27	74	0	(SFL) SPRINTER INA BEARING CAPS
BM550	27	79.8	0	(SFL) NEW SERIES FORD TRANSIT
BM550/1	27	79.8	0	(SFL) NEW SERIES FORD TRANSIT
BM51	27	80	0	(SFL) VW LT GENUINE C/W INA BEARINGS U178
BM834	27	82	0	(SFL) IVECO DAILY ORIGINAL EQUIPMENT
BM582	27	88	0	(SFL) NEW MERCEDES SPRINTER " INA BRG CAPS "
BM582A	27	88	0	(SFL) NEW MERCEDES SPRINTER *ALTERNATIVE*
BM658	30	92.1	0	(SFL) NEW FORD TRANSIT 8C SRS FORD SHAFTS *O.E. SPEC*
BM794	30.2	106.3	0	(SFL) NEW IVECO DAILY PROPSHAFTS *O.E. SPEC*
BM78	31.02	88	0	(SFL) MERCEDES G-WAGEN
BM78/1	31.02	88	2	MERCEDES G-WAGEN END LUBE
BM870	31.02	88	0	MERCEDES OE STAKED SFL

FULL ROUND 2 BOLT WELDED PLATE JOINTS – TYPE D



BM REF #	CAP Ø X mm	SPAN Y mm	LUBE TYPE	COMMENTS
BM118	47.6	135	1	1610 WELDED PLATES SPICER STYLE 5-279X
BM206	47.6	135	3	1610 ORIGINAL SPICER WELDED PLATES 5-279X
BM280	49.2	154.7	1	1710 ORIGINAL SPICER WELDED PLATES 5-280X
BM280A	59.2	154.7	1	1710 WELDED PLATES NEAPCO QSP SPICER STYLE 5-280X
BM281	49.2	154.7	1	1710 WELDED PLATES SPICER STYLE 5-280X
BM129A	49.2	177.8	1	1760 WELDED PLATE SPICER STYLE 5-407X
BM129	49.2	177.8	1	1760 ORIGINAL SPICER WELDED PLATE STYLE 5-407X
BM130A	49.2	191.8	1	1810 ALTERNATIVE TO BM130 HS344 5-281X
BM130	49.2	191.8	1	1810 ORIGINAL SPICER WELDED PLATE FULL ROUND 5-281X
BM293	50.8	156.8	1	VOLVO
BM138	55.5	206	1	1880 SPICER 5-308X
BM349	71.4	223	1	1900 SRS 5-54X

FULL ROUND 2 BOLT LOOSE PLATE JOINTS – TYPE E



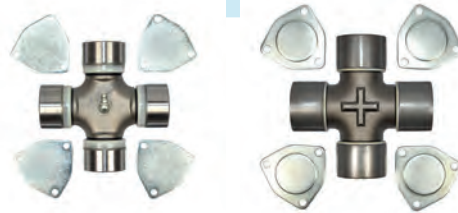
BM REF #	CAP Ø X mm	SPAN Y mm	LUBE TYPE	COMMENTS
BM803	39.69	115.95	1	1510 SERIES C/w LOOSE PLATES
BM282	47.6	135	1	1600 STANDARD / LOOSE PLATES GKN STYLE (HS316)
BM318	49.2	154.7	3	1700 STANDARD / LOOSE PLATES GKN STYLE (HS317)
BM565	49.2	154.7	0	1710 LOOSE PLATES / 68X129MM MECHANICS ON OPP SPAN (SFL)
BM146	59	167.5	1	1800 STANDARD / LOOSE PLATES GKN STYLE (HS324)

HALF ROUND & 2 BOLT WELDED PLATE JOINTS – TYPE F



BM REF #	CAP Ø X mm	SPAN Y mm	LUBE TYPE	COMMENTS
BM484	47.6	135	1	1610 ALTERNATIVE 2 PLATES & 2 ROUND CAPS 5-438X
BM121	47.6	135	3	1610 2 X PLATED & 2 ROUND CAPS 5-438X / 5-674X O.E. SPICER
BM851	47.6	135	3	1610 2 X PLATED & 2 ROUND CAPS 5-423X / CAT O.E. SPICER
BM861	47.6	135	3	1610 2 X PLATED & 2 ROUND CAPS 5-585X / CAT O.E. SPICER
BM05	49.2	154.7	1	1710 2 X PLATED & 2 ROUND CAPS 5-515X O.E.SPICER
BM05A	49.2	154.7	1	1710 2 X PLATED & 2 ROUND CAPS 5-515X NEAPCO QSP
BM428	49.2	154.7	1	1710 ALTERNATIVE TO BM05 & BM05A 5-515X
BM204	49.2	154.7	1	8.5C / 1710 SRS 2 X HIGH WING DRILLED 49.2X154.7 /
	71.44	124.4		71.4X123.8MM
BM128	49.2	177.8	1	1760 2 X PLATED & 2 ROUND CAPS 5-469X O.E. SPICER
BM470	49.2	177.8	1	1760 ALTERNATIVE TO BM128 5-469X
BM333A	49.2	191.8	1	1810 2 WELDED PLATES & 2 ROUND CAPS 5-510X
BM333	49.2	191.8	1	1810 2 X PLATED & 2 ROUND CAPS 5-510X O.E. SPICER

VOLVO JOINTS – TYPE G



BM REF #	CAP Ø X mm	SPAN Y mm	LUBE TYPE	COMMENTS
BM108	44	126	3	VOLVO / NORDISKA NK300 CENTRE LUBE PREMIUM
BM134	50	152.6	3	VOLVO / NORDISKA NK400 PREMIUM INA BRGS
BM134A	50	152.6	3	VOLVO ALTERNATIVE TO BM134
BM142	57	152	3	VOLVO / NORDISKA NK500 CENTRE LUBE PREMIUM INA BRGS
BM142A	57	152	3	VOLVO / ALTERNATIVE TO BM142
BM220	57	152	0	VOLVO / NORDISKA NK500/NK600 PREMIUM (SFL)

STEER AXLE JOINTS – TYPE H & N



BM REF #	BRG CAP Ø mm	SPAN Y mm	LUBE TYPE	COMMENTS
WITH OFFSET CROSS				
BM252	23.8	62.5	3	BTB300 SERIES
BM310	23.8	62.5	0	BTB300 SERIES (SFL)
BM483	23.8	86	3	BYPY 412040012 OFFSET
BM586	27	81.8	5	6.4MM OFFSET)
BM337	27	87	4	5MM OFFSET GWB 369.04
BM291	30	79	0	5MM OFFSET 508.021 (SFL)
BM308	30	86.7	0	7MM OFFSET GEWES (SFL)
BM311	30	91	0	5MM OFFSET KLEIN 018 (SFL) 4 OFF PLUGS IN END CAPS
BM239	30	96	0	8MM OFFSET STEER AXLE 369.10 (SFL)
BM196	32	82	0	7MM OFFSET KLEIN - KRAMER (SFL)
BM510	32	100	0	7MM OFFSET KLEIN 019 SRS - KRAMER (SFL)
BM313	32	110.7	0	7MM OFFSET KLEIN 021 STEER AXLE 369.20 (SFL)
BM86	34	96	0	6.5MM OFFSET ELBE 511.021 (SFL)
BM320	34.6	130	0	2MM OFFSET GWB 269.30 STEER AXLE (THREADED) (SFL)
BM321	34.6	130	0	2MM OFFSET GWB 269.30 STEER AXLE (DRILLED) (SFL)
BM382	35	87	0	7MM OFFSET ELBE 0.510.021 SRS (SFL)
BM314	35	96.6	2	8MM OFFSET KLEIN 023 / GWB 469.20
BM314A	35	96.6	0	8MM OFFSET KLEIN 023 / GWB 469.20 (SFL)
BM91	35	110.7	0	7MM OFFSET KLEIN 023 STEER AXLE 369.21 (SFL)
BM191	38	104	0	8MM OFFSET KLEIN 025 (SFL)
BM584	38	104.5	5	8MM OFFSET GWB 469.30
BM584/1	38	104.5	5	8MM OFFSET GWB 469.30 ORIGINAL
BM98	38	107	0	7.5MM OFFSET CROSS 512.021 LUBE IN SIDE OF BRG CAP
BM789	39.6	110		9MM OFFSET CROSS LUBE THROUGH BRG CAPS
BM343	40	104.3	0	8MM OFFSET STEER AXLE 569.32 (SFL) GEWES 51 SRS
BM767	40	104.3	2	8MM OFFSET STEER AXLE 569.32 (END LUBE) GEWES 51 SRS
BM796	40	106.7	2	7.5MM OFFSET CROSS STEER AXLE CROSS 512.020 SRS
BM208	42	110	0	7MM OFFSET 513.021 (SFL)
BM116	45	125	0	8MM OFFSET 515.021 (SFL)
BM324	45.5	114.1	0	10MM OFFSET GEWES 71 SRS (SFL)
BM735	45.5	120	0	10MM OFFSET GWB 569.38 (SFL)
BM615	45.5	130.1	0	10MM OFFSET GEWES 81SRS (SFL)
BM246	47	142	0	11MM OFFSET STEER AXLE 369.40 (SFL)
WITHOUT OFFSET CROSS				
BM310	23.8	62.5	0	BTB 300 STEER AXLE (SFL)
BM209	27	66.3	3	KLEIN 080 GENUINE / KRAMER
BM255	27	71	0	C/w 1.3MM CIRCLIPS (SFL)
BM255A	27	71	0	C/w 1.3MM CIRCLIPS (SFL)
BM726	28.5	70		ELBE 408 SRS STEER AXLE LUBE IN SIDE OF BRG CAP
BM389	30.17	92	6	BTB 220 STEER AXLE - LUBE THROUGH CAP
BM232	30.2	81.8	3	BTB TYPE WITH LUBE & 1.5MM CIRCLIPS - STEER AXLE (SFL)
BM256	30.2	81.8	0	BTB TYPE NON LUBE C/W 1.2MM CIRCLIPS -STEER AXLE (SFL)

BM REF #	BRG CAP Ø mm	SPAN Y mm	LUBE TYPE	COMMENTS
BM256A	30.2	81.8	0	JCB TYPE NON LUBE C/W 1.2MM CIRCLIPS -STEER AXLE (SFL)
BM217A	32	95.6	3	JCB STEER AXLE - ALTERNATIVE
BM331	34.93	93	0	JCB (SFL)
BM692A	35	93	3	JCB STEER AXLE
BM225	35	93	0	SPICER ORIGINAL 1.5MM CIRCLIPS JCB O.E. (SFL)
BM257	35	93	6	BTB 330 STEER AXLE
BM258	39.6	105	3	340 STEER AXLE - CENTRE LUBE
BM259	39.6	105	3	340 STEER AXLE (SFL)
BM675	42	122	0	ELBE 415 SRS (SFL)
BM109	44	134	0	STEER AXLE 369.37 (SFL)
BM94	38	119	4	STEER AXLE 38X119MM (38X104MM ON PIN) 369.30
	38	104		
BM312A	41.3	104.3/110.8	1	KOMATSU 41.3X104.3 / 110.8MM / 49.2X117.6MM 7C
	49.2	117.6		OPP SPAN 5050Q

SCANIA UNIVERSAL JOINTS – TYPE I



BM REF #	BRG CAP Ø mm	SPAN Y mm	LUBE TYPE	COMMENTS
BM99	38	148	3	INA BRG CAPS SCANIA P300 / C/W BRKTS
BM476	38	148	0	INA BRG CAPS SCANIA P300 C/W BRKTS - (SFL)
BM542	38	148	0	SCANIA P300 / SKF BRG CAPS SMAINTENANCE FREE (SFL)
BM101	39	127	3	SCANIA T50 GU3850
BM110	44	149	1	SCANIA T60
BM17	48	161	3	INA BRG CAPS PREMIUM P400 C/W BRKTS
BM17A	48	161	3	P400 / C/W BRACKETS
BM477	48	161	0	SFL MAINTENANCE FREE P400 / C/W BRKTS (SFL)
BM731	48	161	0	CENTRE LUBE P400 / C/W THREADED BRKTS (M16X2)
BM764	48	161	3	SFL MAINTENANCE FREE P400 / C/W THREADED BRKTS (M16X2)
BM283	50	164	3	SCANIA T70
BM140	57	164	3	INA BRG CAPS PREMIUM P500 C/W BRKTS
BM140A	57	164	3	P500 /ALTERNATIVE C/W BRKTS
BM478	57	164	0	INA BRG CAPS MAINTENANCE FREE P500 / C/W BRKTS (SFL)
BM757	57	164	3	SKF BRG CAPS CENTRE LUBE P500 / C/W BRKTS
BM705	57	164	3	INA BRG CAPS P500 C/W THREADED BRKT HOLES M16X2
BM765	57	164	0	INA BRG CAPS P500 C/W THREADED BRKT HOLES M16X2 SFL
BM397	57	164	3	SCANIA P500 / 587.42 COMBINATION
	57	152		
BM227	65	190	3	INA BRG CAPS SCANIA P600
BM227A	65	190	3	SCANIA P600 / ALTERNATIVE
BM447	65	190	0	INA BRG CAPS SCANIA P600 (SFL)
BM544	65	190	0	SKF MAINTENANCE FREE SCANIA P600 (SFL)
BM548	65	190	3	P600 65X190MM / 587.48 65X172MM COMBINATION
	65	172		

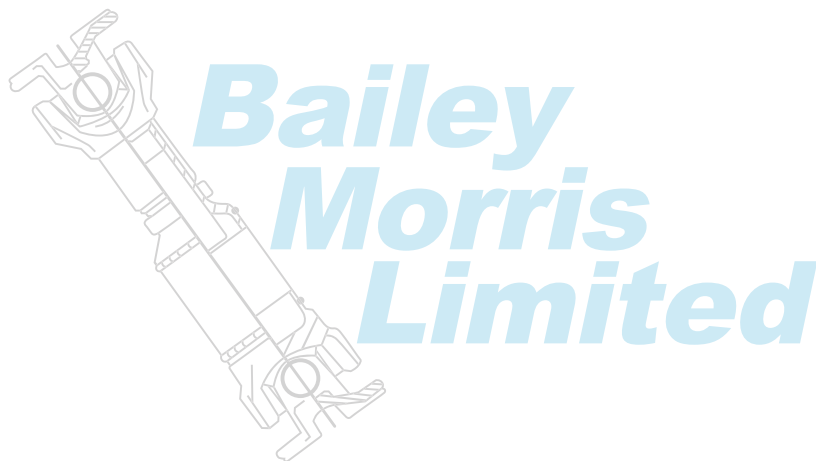
MECHANICS UNIVERSAL JOINTS –TYPE J



BM REF #	A = BRG CAP CTRS mm	B = SPAN CTRS mm	LUBE TYPE	COMMENTS
BM229	33.27	59.44	1	2C 4 X LOW WING DRILLED
BM164	33.27	59.44	1	2C 4 X LOW WING THREADED
BM277	33.27	59.44	2	2C 2 X LOW WING THREADED & 2 X LOW WING DRILLED
BM509	33.27	59.44	4	2C/1310 C=27MM L=81.8MM EXTERNAL CIRCLIP
BM166	36.5	69.9	2	3C 4 X HIGH WING DRILLED - LUBE IN CAP
BM165	36.5	69.9	1	3C 4 X LOW WING THREADED
BM169	36.5	87.4	1	4C 4 X HIGH WING DRILLED
BM168	36.5	87.4	1	4C 4 X LOW WING THREADED
BM224	36.5	87.4	1	4C 2 X HIGH WING DRILLED / 2 X LOW WING THREADED
BM775	36.5	87.4	1	4C 2 X LOW WING DRILLED / 2 X LOW WING THREADED
BM606	36.5	87.4	1	4C 2 X HIGH WING DRILLED / 2 X INT CIRCLIP 28.6X77.6MM (82.4MM)
BM702	36.5	57	4	FERRARI 2 X E/LUBE LOW WING THREADED
BM458	36.6	57	2	FERRARI 2 X E/LUBE LOW WING THREADED / LOW WING DRILLED
BM457	42.9	73	3	FERRARI 4 X LOW WING THREADED
BM172	42.9	88.9	1	5C 4 X HIGH WING DRILLED
BM172	42.9	88.9	1	5C 4 X HIGH WING DRILLED
BM846	42.9	88.9	1	5C 4 X HIGH WING DRILLED - SPICER ORIGINAL
BM466	42.9	88.9	0	5C 4 X HIGH WING DRILLED SFL - SPICER ORIGINAL
BM171	42.9	88.9	1	5C 4 X LOW WING THREADED
BM325	42.9	88.9	1	5C 2 X HIGH WING DRILLED / 2 X LOW WING THREADED
BM762	42.9	88.9	1	5C / 1410 SERIES / 30.2X106.3MM
BM175	42.9	114.3	1	6C 4 X HIGH WING DRILLED
BM845	42.9	114.3	1	6C 4 X HIGH WING DRILLED - (SFL) SPICER ORIGINAL
BM174	42.9	114.3	1	6C 4 X LOW WING THREADED
BM350	42.9	114.3	1	6C 4 X LOW WING DRILLED
BM214	42.9	114.3	1	6C 2 X HIGH WING DRILLED / 2 X LOW WING THREADED
BM690	42.9	114.3	1	6C 4 X DELTA WING
BM821	42.9	114.3	1	6C 4 X HIGH WING DRILLED - DOUBLE FACE KEY H=35MM PER BLOCK
BM203B	49.2	104.5	1	SPICER 4 X HIGH WING DRILLED (SIDE LUBE)
BM431	49.2	108.5	1	ROCKWELL (58WB) 4 X LOW WING THREADED
BM202	49.2	108.5	1	ROCKWELL (58WB) 4 X HIGH WING DRILLED
BM433	49.2	108.5	1	ROCKWELL (58WB) 4 X DELTA WING
BM688	49.2	108.5	1	ROCKWELL (58WB) 2 X DELTA WING / 2 X HIGH WING DRILLED
BM848	49.2	117.6	3	7C 687.40 / 2040 TO 7C 4 X HWD 49.2X117.6MM COMBINATION
BM407	49.2	117.6	1	7C 4 X HIGH WING DRILLED / 6C 4 X HIGH WING DRILLED
	42.9	114.3		

BM REF #	A = BRG CAP CTRS mm	B = SPAN CTRS mm	LUBE TYPE	COMMENTS
BM178A	49.2	117.6	1	7C 4 X HIGH WING DRILLED
BM178	49.2	117.6	1	7C 4 X HIGH WING DRILLED SPICER
BM585	49.2	117.6	0	7C SPICER 4 X HIGH WING DRILLED (SFL) SPICER
BM177	49.2	117.6	1	7C 4 X LOW WING THREADED
BM326	49.2	117.6	1	7C 2 X HIGH WING DRILLED / 2 X LOW WING THREADED
BM637	49.2	117.6	1	7C 2 X HIGH WING DRILLED / 2 X DELTA WING DRILLED
BM183	49.2	174.6	1	8C 4 X HIGH WING DRILLED
BM847	49.2	174.6	1	8C 4 X HIGH WING DRILLED SPICER
BM182	49.2	174.6	1	8C 4 X LOW WING THREADED
BM327	49.2	174.6	1	8C 4 X HIGH WING DRILLED / 4 X LOW WING THREADED
BM399	50	181	3	KOMATSU
BM727	56	140.2	3	DAEWOO & ISUZU LOW WING THREADED M12 X 1.25MM
BM233	60	146	1	SIGE 4 X HIGH WING DRILLED
BM430	60	105.2	3	4 X HIGH WING DRILLED FURUKAWA
BM429	60.1	159	3	4 X LOW WING THREADED
BM590	62	125.2	1	J170 4 X HIGH WING DRILLED
BM613	68	111	3	GLAENZER 706SRS 47.6X134.MM 68X111MM MECHANICS
	47.6	134.8		ON OPP SPAN
BM655	70	168	1	210M108 HIGH WING DRILLED
BM181A	71.4	123.8	3	8.5C 4 X HIGH WING DRILLED
BM181	71.4	123.8	3	8.5C SPICER 4 X HIGH WING DRILLED
BM181C	71.4	123.8	3	8.5C ROCKFORD 4 X HIGH WING DRILLED
BM481	71.4	123.8	0	8.5C 4 X HIGH WING DRILLED - (SFL) SPICER
BM481A	71.4	123.8	0	8.5C 4 X HIGH WING DRILLED - (SFL)
BM180	71.4	123.8	1	8.5C 4 X LOW WING THREADED
BM395	71.4	123.8	1	8.5C 4 X LOW WING DRILLED
BM328	71.4	123.8	1	8.5C 2 X HIGH WING DRILLED / 2 X LOW WING THREADED
BM186	71.4	168.4	1	9C 4 X HIGH WING DRILLED
BM186/1	71.4	168.4	1	9C 4 X HIGH WING DRILLED SPICER
BM654	71.4	168.4	0	9C 4 X HIGH WING DRILLED (SFL) SPICER
BM654A	71.4	168.4	0	9C 4 X HIGH WING DRILLED (SFL)
BM185	71.4	168.4	1	9C 4 X LOW WING THREADED
BM329	71.4	168.4	1	9C 2 X HIGH WING DRILLED / 2 X LOW WING THREADED
BM270	71.4	168.4	1	9C TWIN DISC 4 X HIGH WING DRILLED
BM730	72	138	1	S990 SRS SPICER ITALCARDANO HIGH WING DRILLED
BM461	82	198	1	HIGH WING DRILLED 82X198MM 246M210
BM189	88.9	172.7	1	J490 SPICER 4 X HIGH WING DRILLED 5/8" BOLT HOLES
BM235	88.9	172.7	1	11C SPICER 4 X HIGH WING DRILLED 3/4" BOLT HOLES
BM309	88.9	172.7	1	J600/11C 4 X HIGH WING DRILLED (DOUBLE ROLLER) 4 X LUBE
BM614	88.9	172.7	1	10C / 10.5C (COMB) 4 X HIGH WING DRILLED 5/8" BOLTS
BM188	92.1	165.1	1	10C 4 X HIGH WING DRILLED
BM188/1	92.1	165.1	1	10C 4 X HIGH WING DRILLED SPICER
BM706	92.1	165.1	0	10C SPICER 4 X HIGH WING DRILLED (SFL)
BM335	92.1	165.1	1	10C ROCKFORD 4 X HIGH WING DRILLED
BM812	92.1	165.1	1	10C SPICER 4 X HIGH WING DRILLED HOLES 15MM - KOMATSU
BM863	92.1	165.1	1	10C 4 X LOW WING DRILLED
BM411	92	241.3	1	12C 4 X HIGH WING DRILLED M14 BOLT HOLES
BM392	92	227	1	12.5C 4 X HIGH WING DRILLED SPICER
BM307	100	200	1	15C ROCKFORD 4 X HIGH WING DRILLED 3/4" X 16UNF
BM307/1	100	200	1	15C ROCKFORD 4 X HIGH WING DRILLED M20X2.5

BM REF #	A = BRG CAP CTRS mm	B = SPAN CTRS mm	LUBE TYPE	COMMENTS
BM307/3	100	200	1	15C SPICER 4 X HIGH WING DRILLED W/O BOLTS
BM790	100	200	0	15.5C SPICER 4 X HIGH WING DRILLED ROCKFORD W/o BOLTS
BM462	107	252		14.5C SPICER 4X HIGH WING DRILLED
BM871	107	252		14.5C SPICER 4X HIGH WING DRILLED LUBE
BM791	117.6	277	0	20C ROCKFORD 4 X HIGH WING DRILLED (M24X3MM BOLTS)
BM487	134.88	269.5	3	14C SPICER 4 X HIGH WING DRILLED M18X1.5



MECHANICS COMBINATION JOINTS – TYPE K



BM REF #	A = BRG CAP CTRS mm	B = SPAN CTRS mm	LUBE TYPE	MECHANICS SERIES & DIMENSIONS
BM509	33.27	59.44	4	2C/ 1310 C=27MM L=81.8MM EXTERNAL CIRCLIP
BM167	36.5	87.4	1	4C HWD / 1410 C=30.2MM L=106.3MM EXTERNAL CIRCLIP
BM459	42.9	88.9	1	5C HWD C=32MM O=83.9 / 89MM INTERNAL CIRCLIP KOMATSU
BM241	42.9	88.9	1	5C LWT C=33.4X84MM O=84MM INTERNAL CIRCLIP
BM273	42.9	88.9	1	5C HWD C=33.4MM O=84MM INTERNAL CIRCLIP
BM170	42.9	88.9	1	5C HWD/1480 C=34.9MM L=106.4MM EXTERNAL CIRCLIP
	34.9	106.4		5-347X
BM761	42.9	88.9	1	5C HWT/1480 C=34.9MM L=106.4MM EXTERNAL CIRCLIP
	34.9	106.4		5-348X
BM336	42.9	114.3	1	6C LWT C=33.53MM L=109.4MM
	33.53	109.5		
BM173	42.9	114.3	1	6C HWD C=34.9MM L=126.2MM EXTERNAL CIRCLIP 5-303X
BM354	42.9	114.3	1	6C HWD/SPL70 C=34.9MM L=126.2MM EXTERNAL CIRCLIP SPICER
BM242	42.9	114.3	1	6C HWD C=33.4MM O=109MM INTERNAL CIRCLIP KOYO 5025N
BM752	42.9	114.3	3	6C 2X HWD & 34X104.6/109.4 ON OPPOSITE SPAN
	34	104.6		
BM381	42.9	114.3	5	6C HWD C=38MM L=106MM EXTERNAL CIRCLIP (38X106MM)
	38	106		
BM502	42.9	114.3	5	6C HWD C=48MM L=126MM EXTERNAL CIRCLIP
BM312A	49.2	117.6	1	KOMATSU 41.3X104.3/110.8MM / 49.2X117.6MM 7C OPP SPAN 5050Q
BM190	49.2	117.6	1	7C HWD / 1650 C=41.3MM L=142.5MM EXTERNAL CIRCLIP 5-330X
BM848	49.2	117.6	1	687.40 / 2040 TO 7C 4 X HWD 47.6X135.2MM COMBINATION
BM507	51	180	5	51X180MM HWD C=40MM L=40X164MM KOMATSU
BM613	47.6	134.8	4	68X111MM HWD / 706SRS C=47.6MM L=134.8MM
	68	111		
BM204	71.4	123.8	1	8.5C HWD / 1710 SRS C=49.2MM L=154.8MM PLATED
BM474	71.4	168.4	1	9C HWD / 1810 SRS C=49.3MM L=191.8MM PLATED 5-324X
BM184	71.4	168.8	1	9C HWD / 1880 C=55.5MM L=205.6MM PLATED 5-326X
BM348	79	137	3	79X137MM HWD / 687.60 C=59MM L=167.7MM RENAULT
	59	167.7		

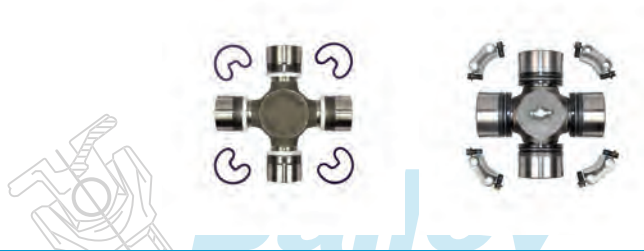
HEAVY INDUSTRIAL JOINTS – TYPE L



BM REF #	BRG CAP Ø mm	SPAN Y mm	LUBE TYPE	COMMENTS
BM149	65	143	1	190.50 SRS
BM148	65	172	3	587.48/700SRS
BM148A	65	172	3	587.48 SRS ALTERNATIVE
BM640	65	172	4	GWB LUBE IN ALL 4 BRG CAPS
BM685	65	172	3	687.55 / 2065 SRS C/w INA BRG CAPS
BM676	65	172	2	END LUBE IN 1 INA BRG CAP
BM709	65	172	3	HIGH TEMP 60- 140 DEG CENT FOR RAIL
BM738	65	235	1	GWB 292.50 TUNNEL TYPE C/w HOLE IN BODY - 2 X LATERAL LUBE
BM349	71.4	223	1	1900 SRS 5-54X
BM151	72	185	3	587.50
BM151/A	72	185	3	ALTERNATIVE GWB 587.50
BM541	72	185	4	587.50 C/w LUBE IN ALL 4 BEARING CAPS
BM274	74	129 (222)	3&4	292.50 / 392.50 CTR LUBE & 4 POINT END LUBE
BM396	74	129 (222)	3	292.50 / 392.50 CTR LUBE - HIGH TEMP
BM153	74	154 (244)	2	190.55 LUBE IN ALL 4 BRG CAPS
BM442	74	179.9	4	EQUIVALENT TO KEMPF (VOITH S250.5) 4 X END LUBE
BM718	74	185	3&4	CENTRE LUBE & END LUBE IN ALL BRG CAPS
BM505	74	195	3	KEMPF 1000.1105.950
BM505IB	74	195	4	END LUBE IN ALL BRG CAPS
BM152	74	217	4	587.55 SRS LUBE IN ALL 4 BRG CAPS
BM154IB	83	129 (235.8)	4	390.60SRS 4 X LUBE IN BRG CAP
BM298IB	83	139 (246)	4	292.55 / 392.55 INA BRG CAPS 4 X END LUBE
BM298	83	139 (246)	3	292.55 / 392.55
BM298A	83	139 (246)	3	292.55 / 392.55 ALTERNATIVE
BM155	83	175 (280)	1	190.60
BM155A	83	175 (155)	1	190.60 ALTERNATIVE
BM722	83	179.9	3&4	CENTRE LUBE & END LUBE IN ALL BRG CAPS
BM719	83	195	3&4	INA BRG CAPS 4 X END LUBE & CTR LUBE
BM720	83	217	3&4	INA BRG CAPS 4 X END LUBE & CTR LUBE
BM377IB	83	220	3&4	INA BRG CAPS 4 X END LUBE & CTR LUBE
BM377	83	220	3	VOITH S285.5 / KEMPF
BM323	83	231.4	3	587.60
BM156	95	139 (258.8)	4	390.65SRS 4 X LUBE IN BRG CAP
BM609	95	139 (258.8)	1	390.65 SIDE LUBE
BM306	95	160 (279.6)	3	292.60 / 392.60
BM157	95	190 (308)	1	190.65
BM157/1	95	190 (308)	1	190.65 4 X END LUBE IN BRG CAPS
BM723	95	219	3&4	VOITH MT285.5 CENTRE & 4 X END LUBE IN BRG CAPS
BM419	95	250	3&4	KEMPF & VOITH W285 / S315 CTR LUBE & 4 POINT END LUBE
BM419IB	95	250	3&4	KEMPF & VOITH W285 / S315 CTR LUBE & 4 POINT END LUBE
BM279	110	160 (293.4)	3	390.70
BM231	110	176 (309.6)	3	292.65 / 392.65
BM158	110	210 (340)	1	190.70
BM159	120	176 (325.2)	3	390.75

BM REF #	BRG CAP Ø mm	SPAN Y mm	LUBE TYPE	COMMENTS
BM216	120	235 (379)	1	190.75
BM160	130	196 (363.2)	3	390.80
BM334	130	216 (383.4)	3	392.75
BM278	130	262	1	190.80
BM779	130	269	3&4	315.80
BM201	130	301.6	3	VOITH
BM797	145	296	3&4	VOITH 350.8 SERIES
BM503	145	336	3	VOITH 390.9 SERIES 145X336MM (344.5MM OVER CIRCLIPS)
BM400	195	315		392.90
BM401	154	250 (430)	3	392.80
BM402	170	276 (464)	3	392.85

SPICER SPL TYPE JOINTS – TYPE M



BM REF #	BRG CAP Ø mm	SPAN Y mm	LUBE TYPE	COMMENTS
BM211	30.2	106.3	0	SPL41 (SFL) TRIPLE LIP SEAL 5-641X ORIGINAL SPICER
BM211A	30.2	106.3	0	1410 SERIES (SPL41) 5-641X ALTERNATIVE (SFL)
BM440	34.9	106.4	1	SPL55 SPICER ORIGINAL LUBE
BM441	34.9	106.4	0	SPL55 SPICER ORIGINAL (SFL)
BM250	34.9	126.2	0	SPL70 SPICER ORIGINAL (SFL)
BM554	34.9	126.2	1	SPL70-1X WITH LUBE
BM103A	41	126.20	3	SPL90 LUBE ALTERNATIVE SPL90X
BM103	41	126.2	3	SPL90 ORIGINAL LUBE SPL90XS
BM386	41	126.2	0	SPL100 SPICER ORIGINAL (SFL)
BM251	49.2	139	3	SPL140 SPICER ORIGINAL
BM266	55	164	3	SPL170 SPICER PREMIUM
BM266A	55	164	3	SPL170 SPICER ALTERNATIVE
BM267	60	163	3	SPL250 SPICER ORIGINAL
BM267A	60	163	3	SPL250 SPICER ALTERNATIVE

HINO & MITSUBISHI PLATED JOINTS – TYPE R



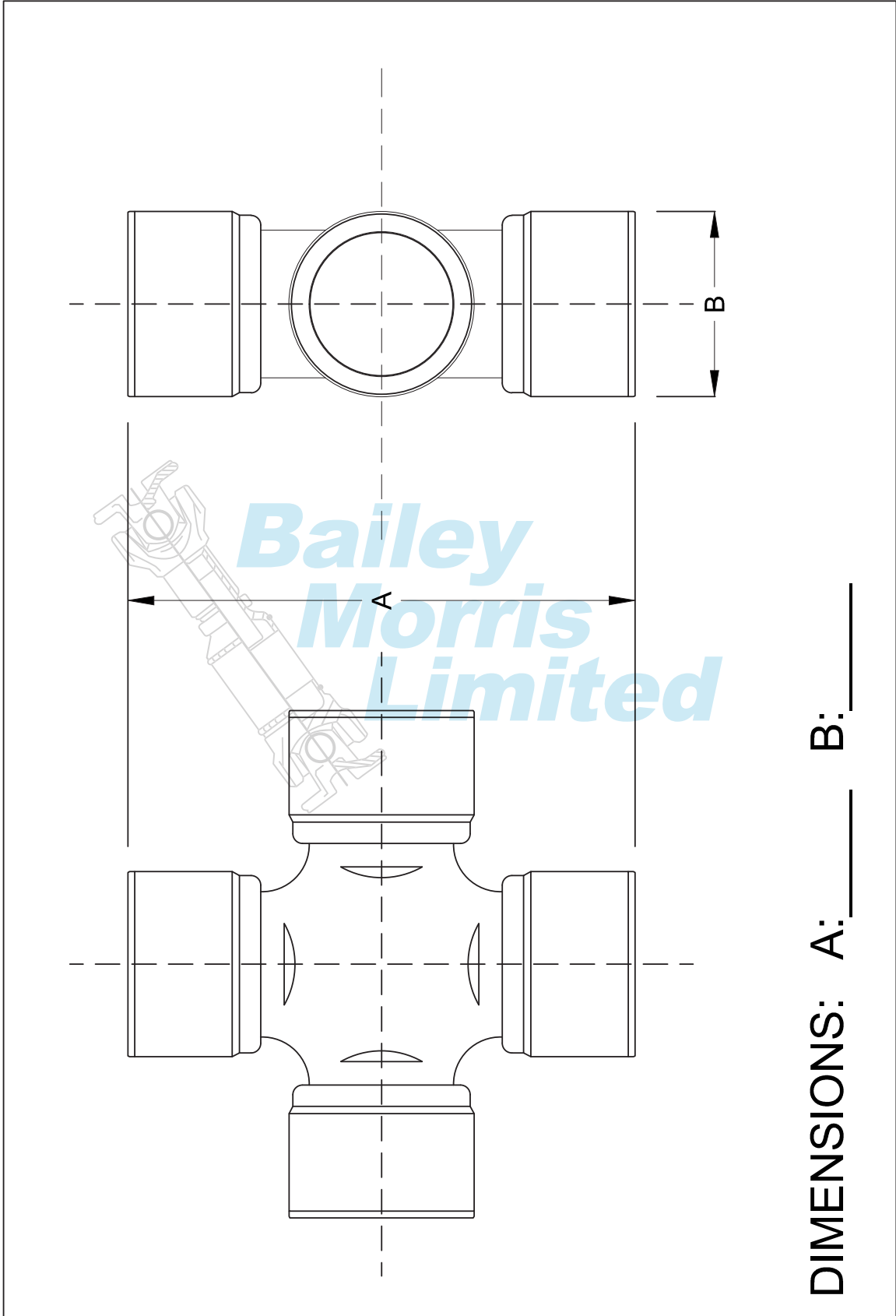
BM REF #	BRG CAP Ø mm	SPAN Y mm	LUBE TYPE	COMMENTS
BM92	36	115.6	1	HINO - GUH74
BM711	43	135.9	3	NISSAN - GUN41 C/W PLATES & BOLTS
BM517	44	129	3	MITSUBISHI - GUM71
BM822	47	140	3	KING LONG BUS
BM454	47	144	3	HINO - GUH68
BM455	50	165	3	HINO - GUH73
BM813	52	153.85	3	MITSUBISHI - GUM83 C/W PLATES & BOLTS
BM814	52	171	3	MITSUBISHI - GUM96 C/W PLATES & BOLTS OE # MC998476
BM635	55	163.8	3	HINO / NISSAN - GUN43
BM456	58	175	3	HINO - GUH75

TIGHTENING TORQUE FIGURES FOR INDUSTRIAL TYPE JOINTS USING BEARING CAP SCREWS

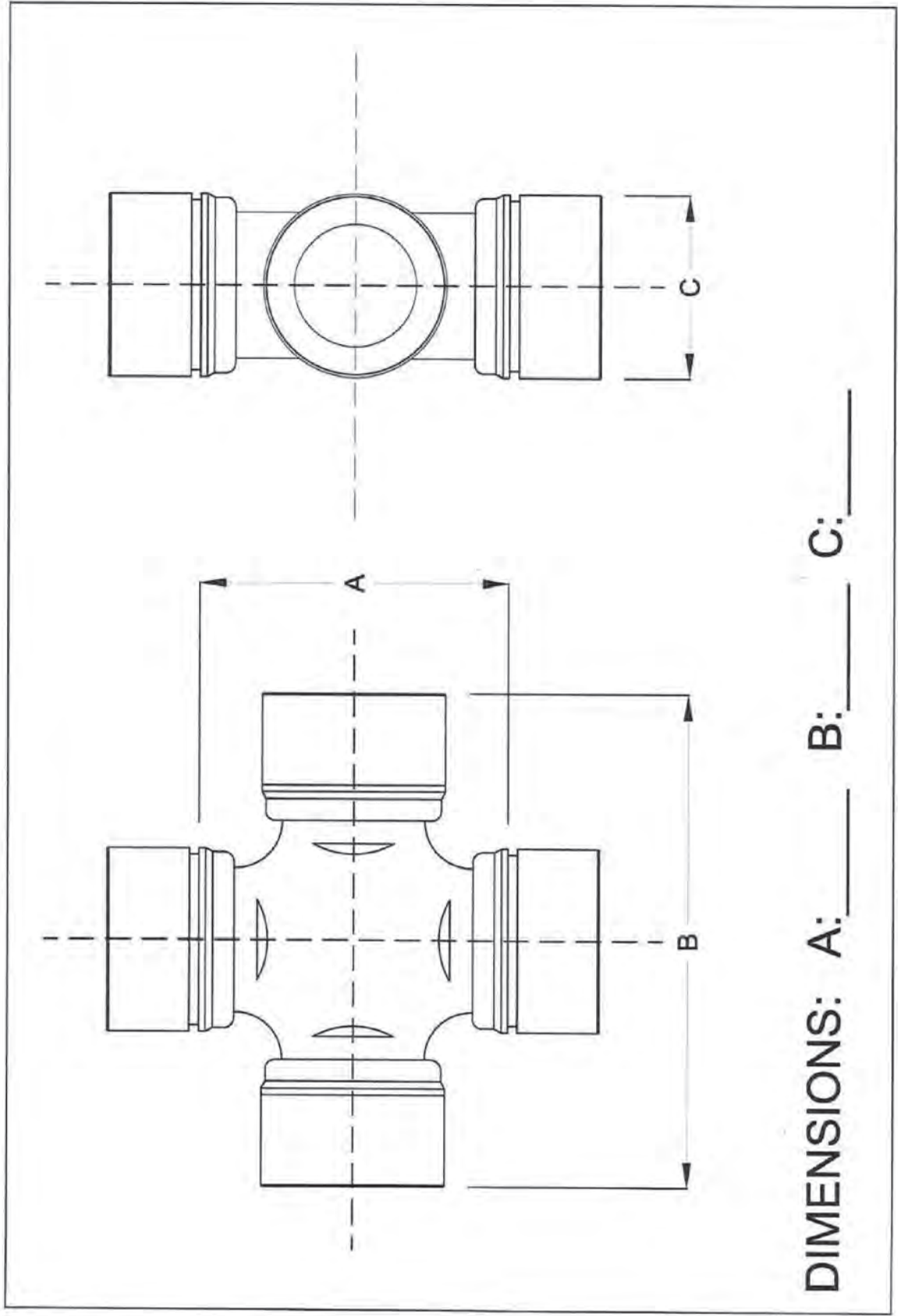
TYPE	TIGHTENING TORQUE (FIRST USE OF BOLTS ONLY) Nm
190.55	200
190.60	280 / 330
190.65	400 / 460
190.70	510 / 630
390.60 / 392.50	225
390.65 / 392.55	340
390.70 / 392.60	500
390.75 / 392.65	700
390.80 / 392.70	940
392.75 / 393.75	450
392.85	1140
392.90	1660
292.50	150
292.60	250
292.65 / 292.70	380
292.75	525
292.78 / 292.80	980
292.83 / 292.85	1300
292.88 / 292.90 / 292.95	1900
292.98	980



TECHNICAL QUESTIONNAIRE FOR TYPE A CIRCLIP FITTING TYPE UJ

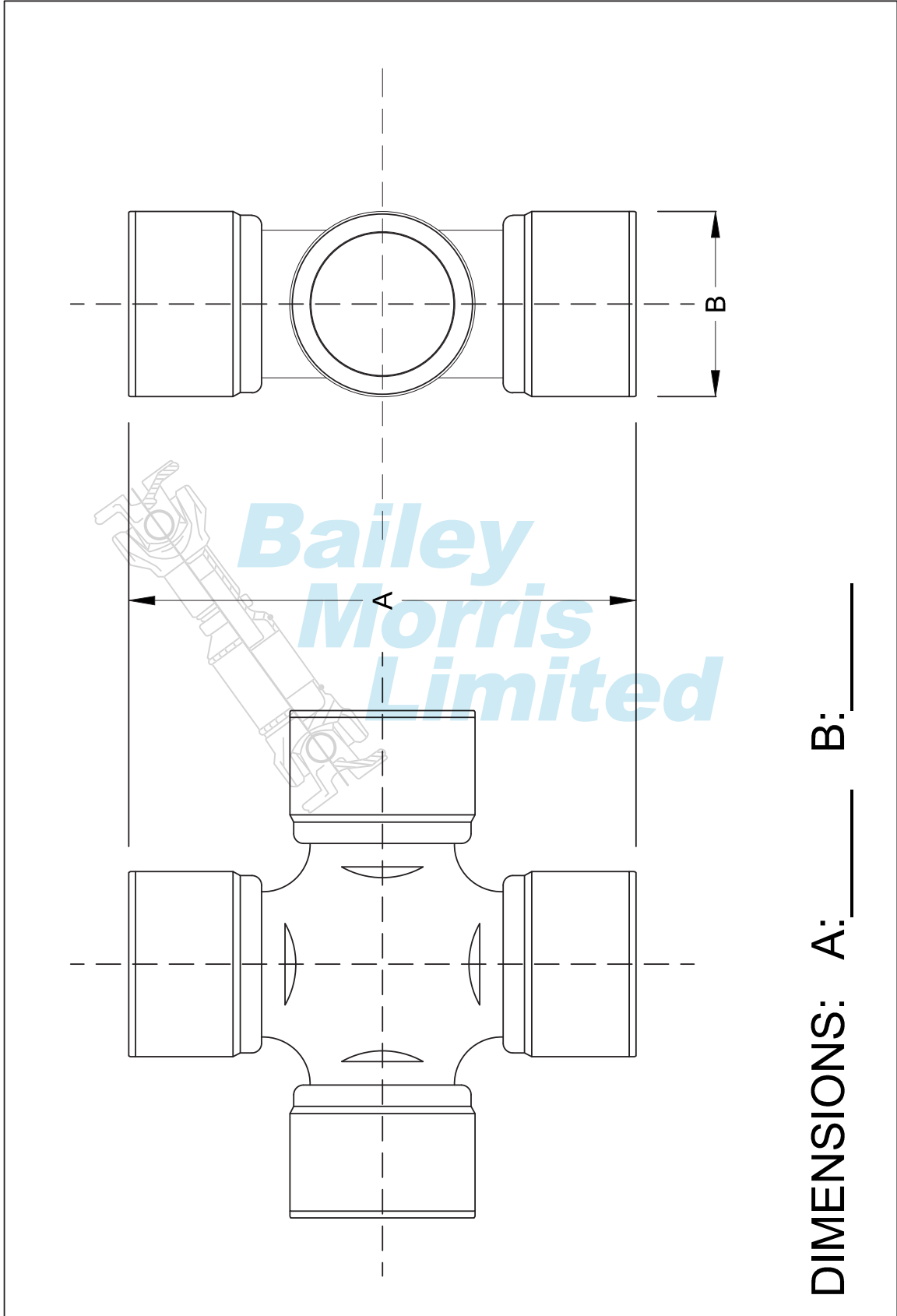


TECHNICAL QUESTIONNAIRE FOR TYPE B IC COMBINATION UJ



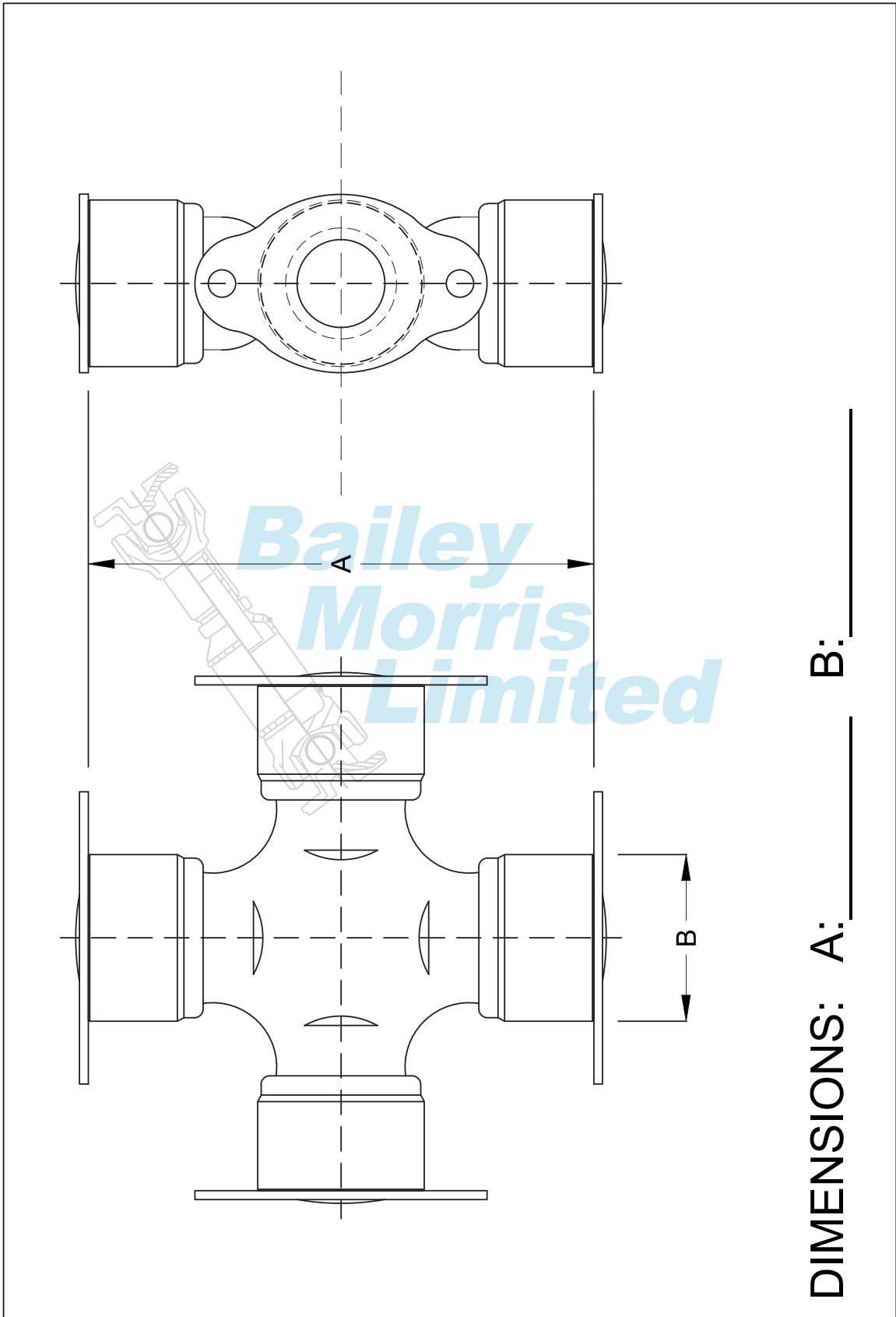
DIMENSIONS: A: _____ B: _____ C: _____

TECHNICAL QUESTIONNAIRE FOR TYPE C STAKED UJ



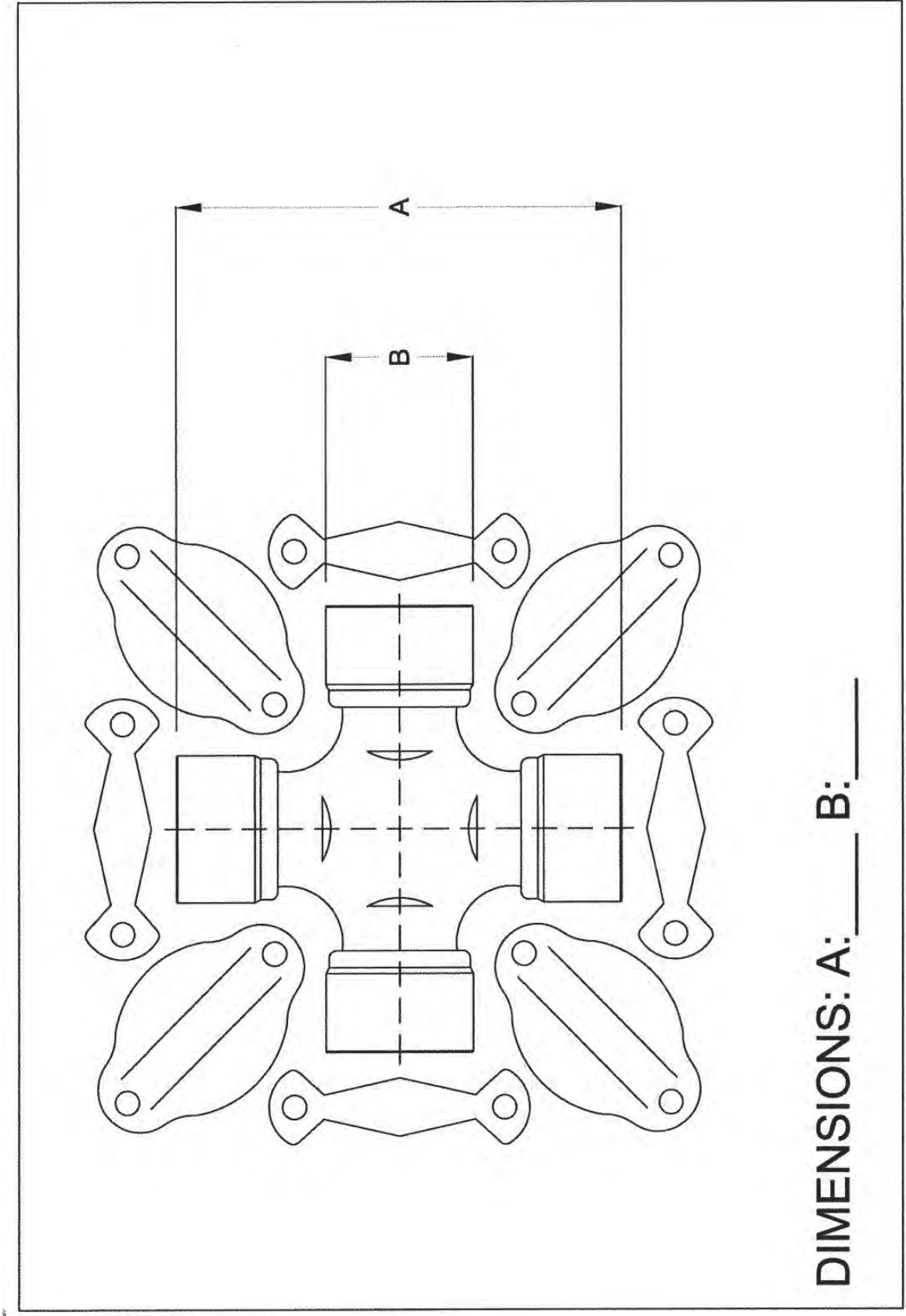
DIMENSIONS: A: _____ B: _____

TECHNICAL QUESTIONNAIRE FOR TYPE D FULL RND UJ



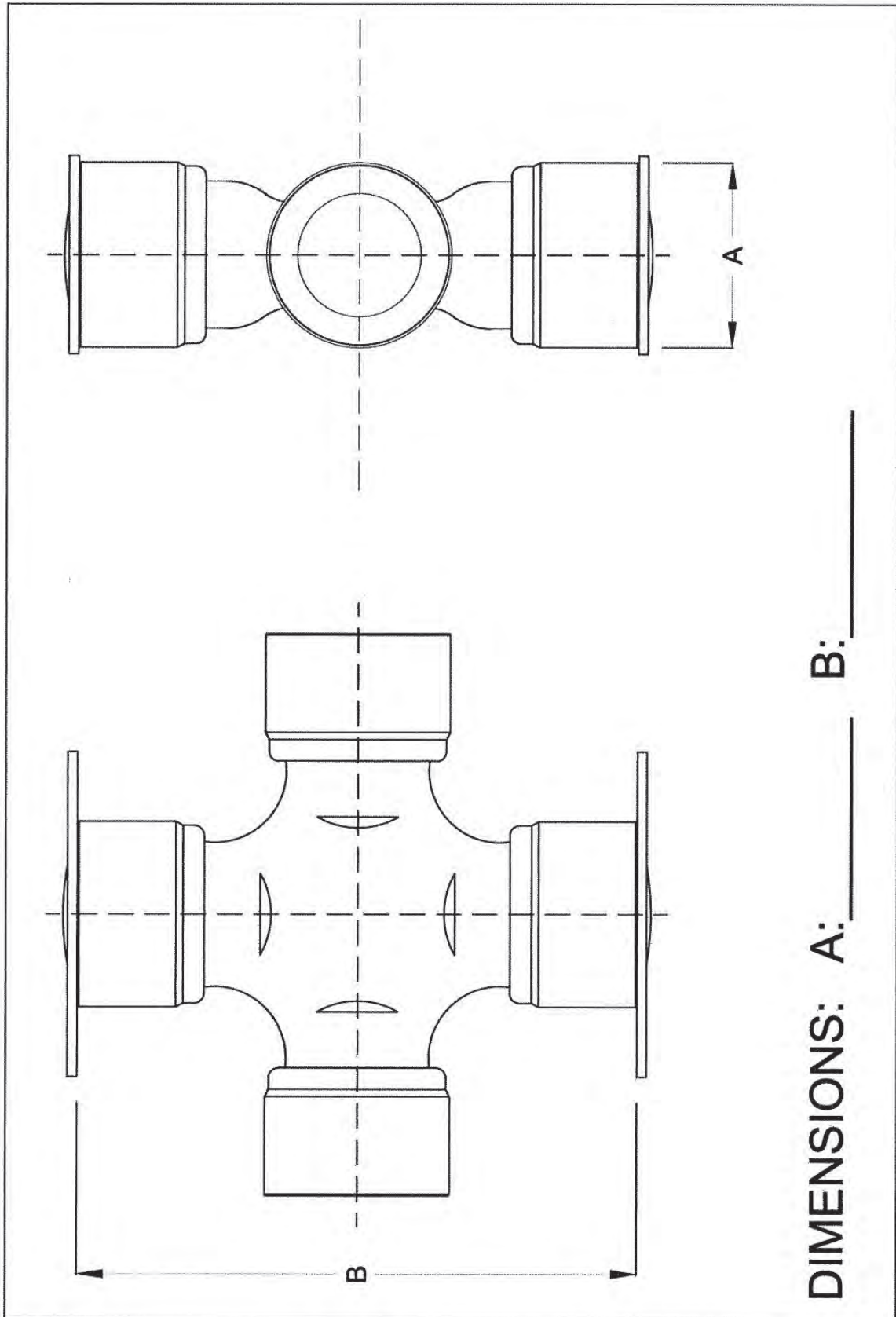
DIMENSIONS: A: _____ B: _____

TECHNICAL QUESTIONNAIRE FOR TYPE E LOOSE PLATE UJ



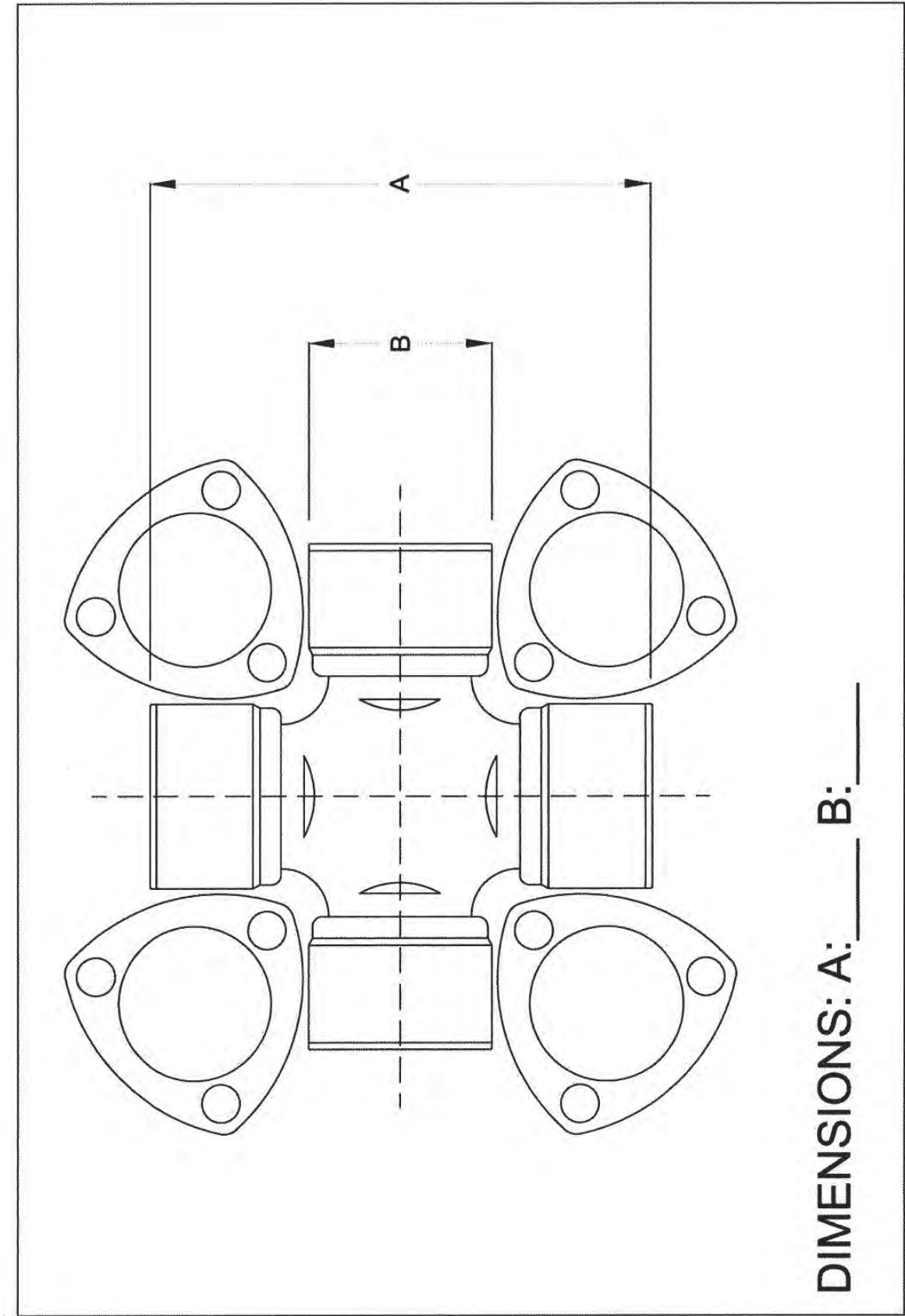
DIMENSIONS: A: _____ B: _____

TECHNICAL QUESTIONNAIRE FOR TYPE F HALF ROUND UJ



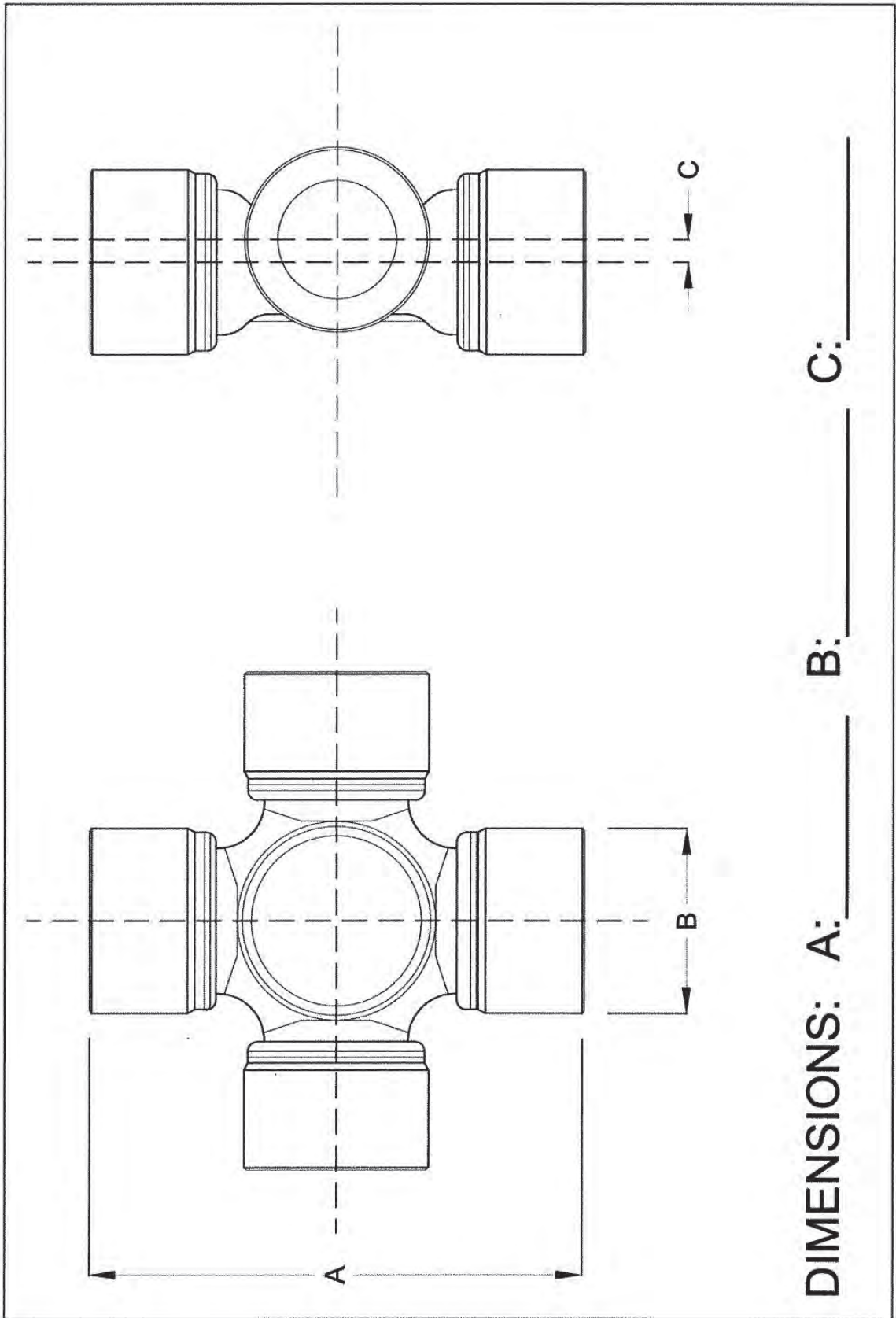
DIMENSIONS: A: _____ B: _____

TECHNICAL QUESTIONNAIRE FOR TYPE G VOLVO – PLATED TYPE UJ



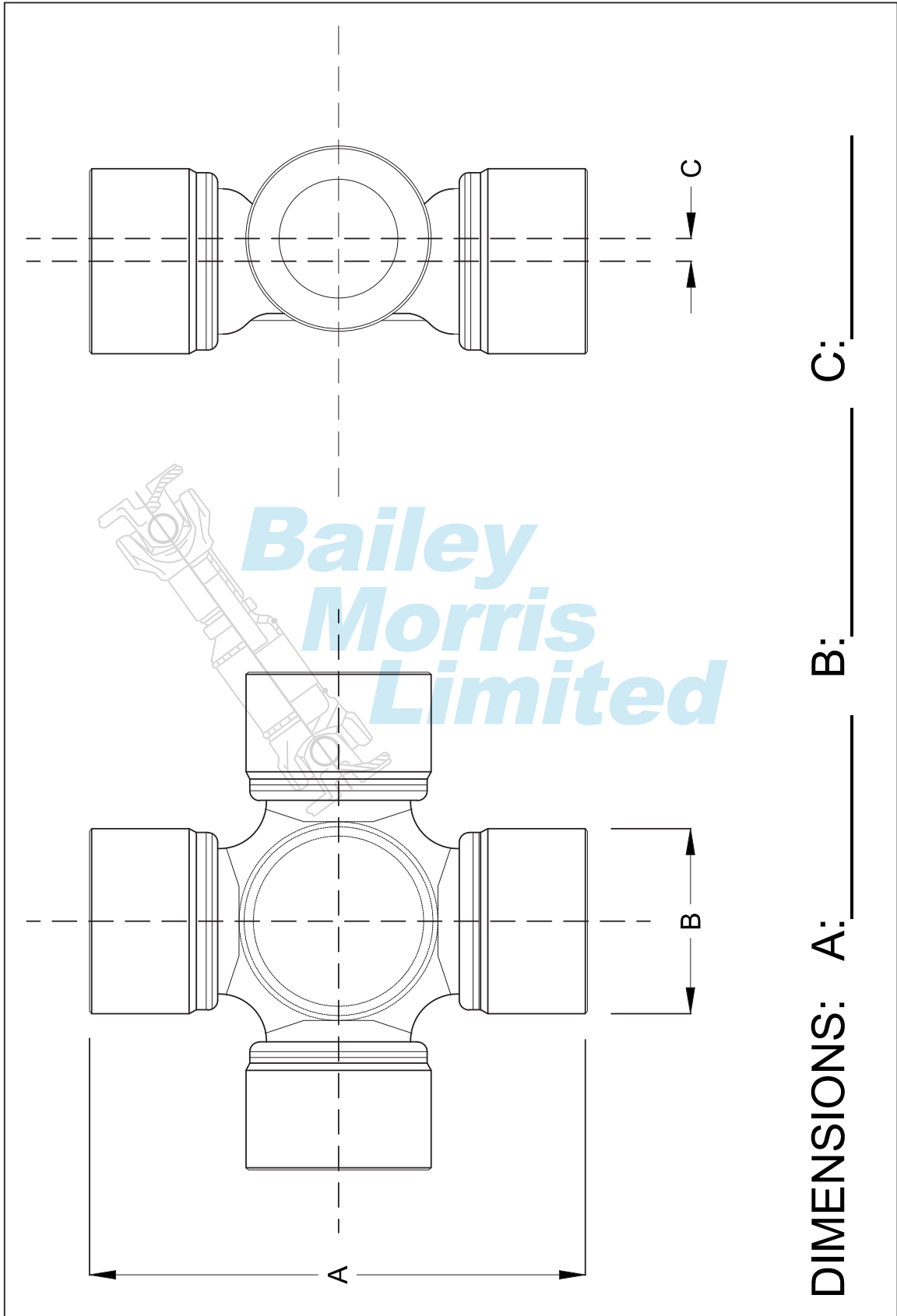
DIMENSIONS: A: _____ B: _____

TECHNICAL QUESTIONNAIRE FOR TYPE H OFFSET UJ

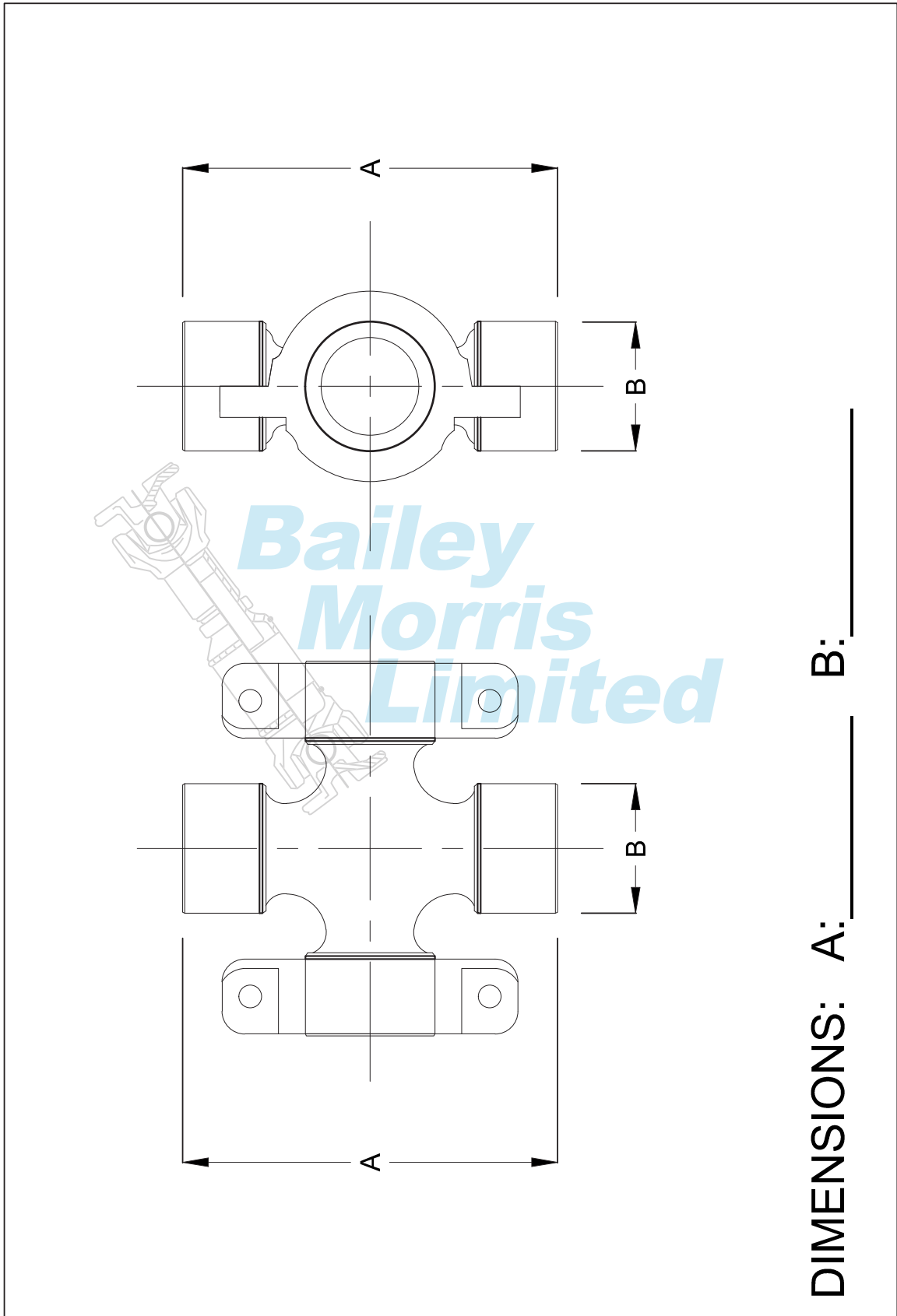


DIMENSIONS: A: _____ B: _____ C: _____

TECHNICAL QUESTIONNAIRE FOR TYPE H & N OFFSET UJ

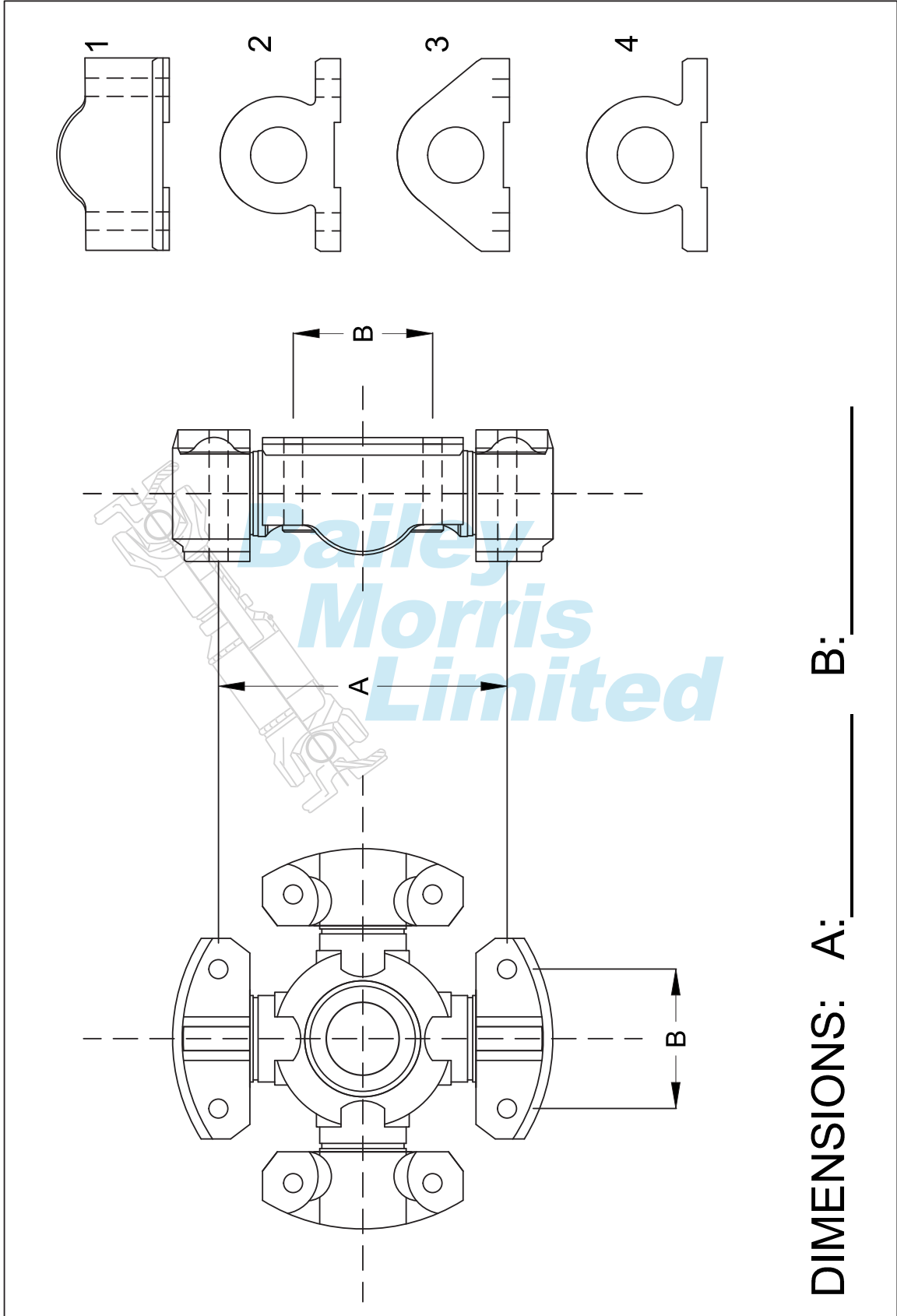


TECHNICAL QUESTIONNAIRE FOR TYPE I SCANIA UJ

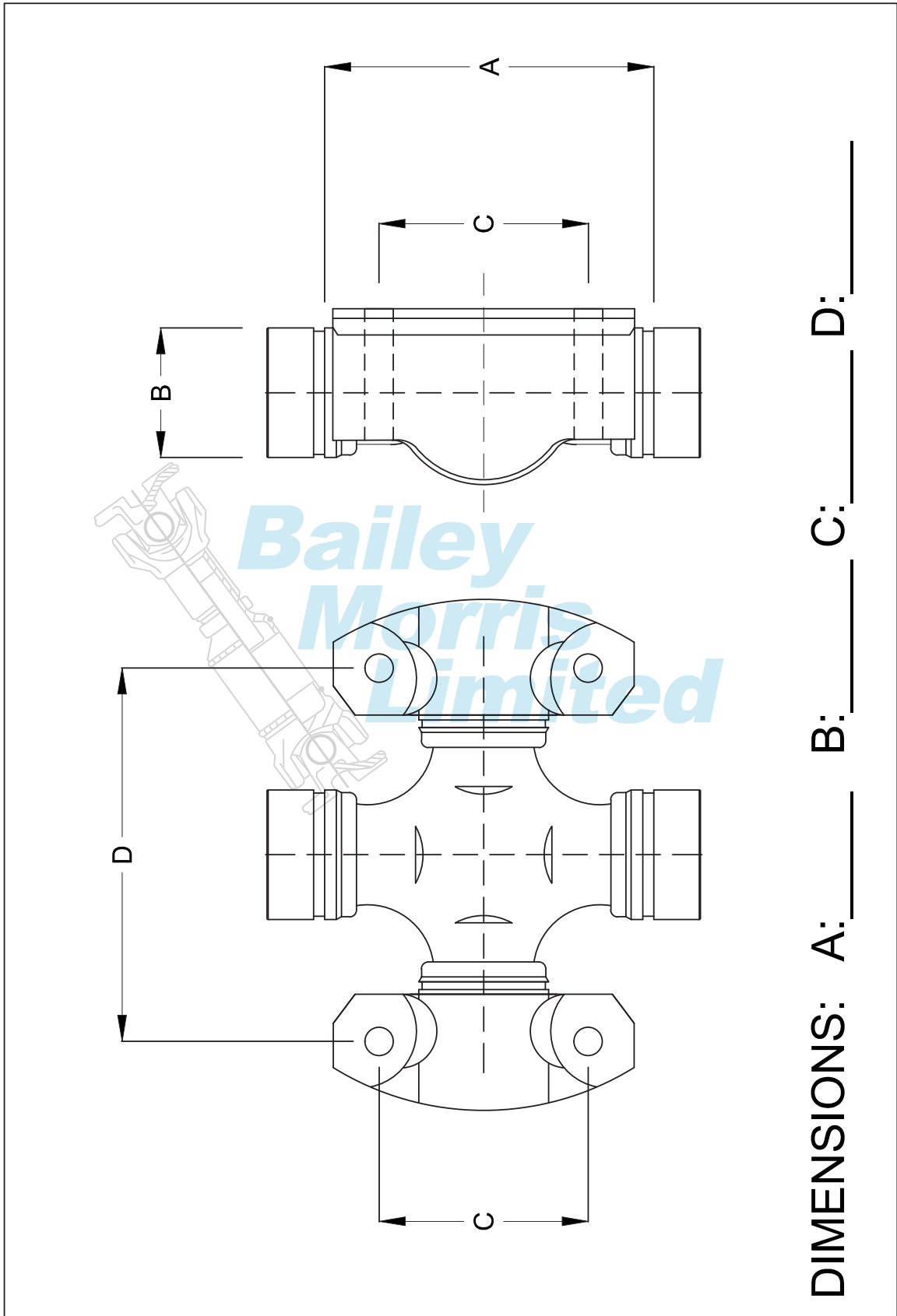


DIMENSIONS: A: _____ B: _____

TECHNICAL QUESTIONNAIRE FOR TYPE J MECHANICS UJ



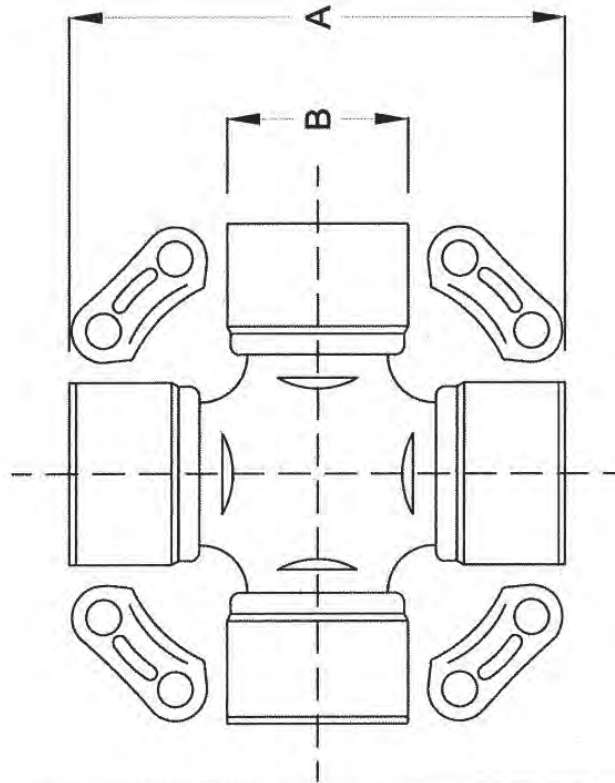
TECHNICAL QUESTIONNAIRE FOR TYPE K MECH COMBINATION UJ



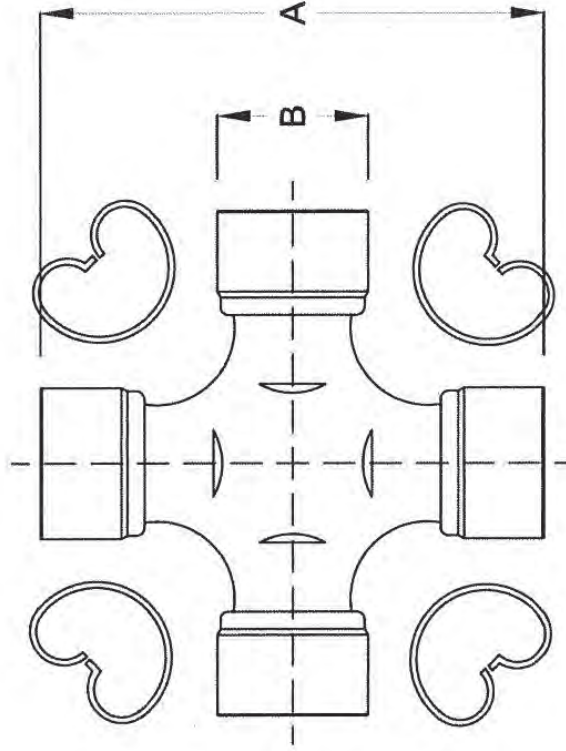
DIMENSIONS: A: _____ B: _____ C: _____ D: _____

TECHNICAL QUESTIONNAIRE FOR TYPE M SPICER SPL TYPE UJ

TYPE 1

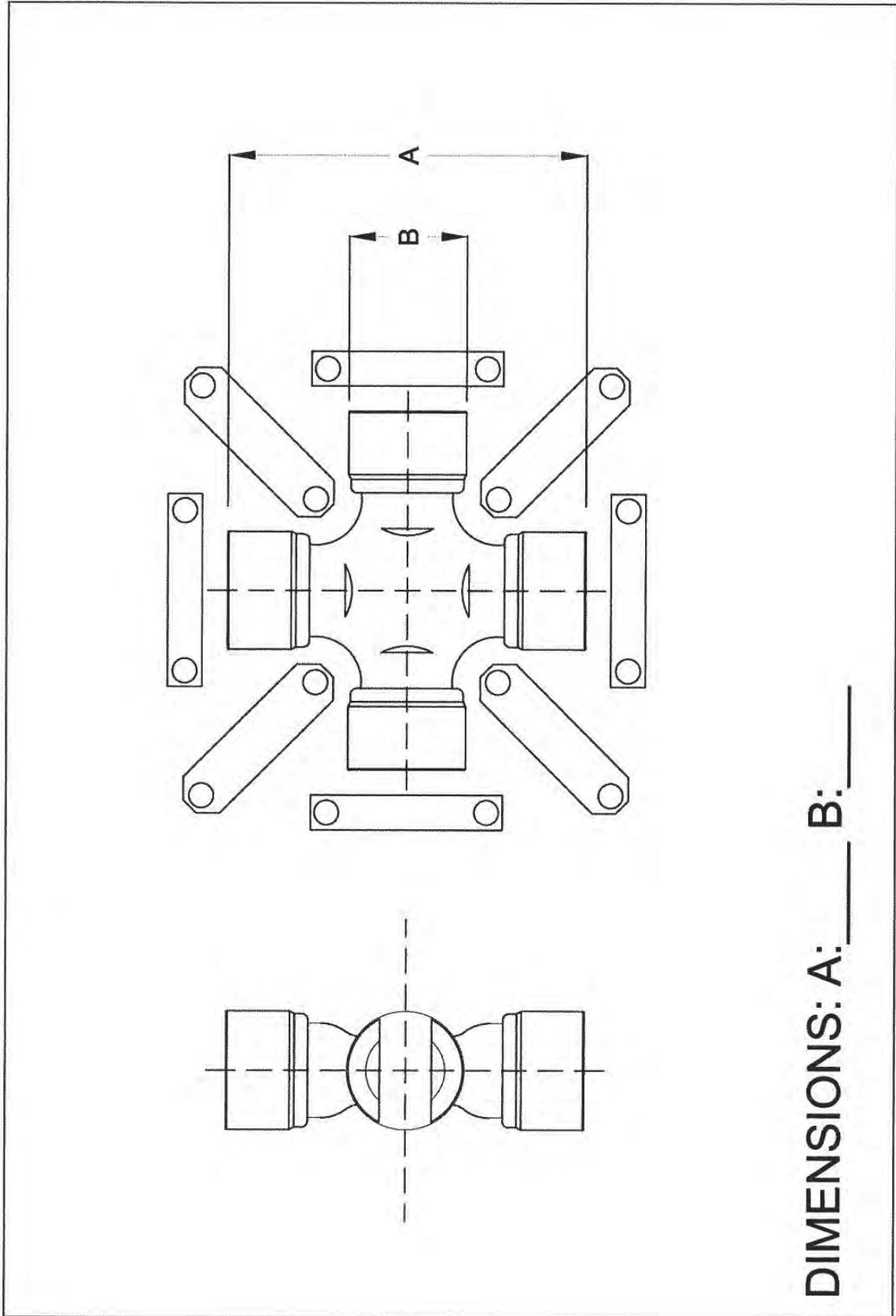


TYPE 2

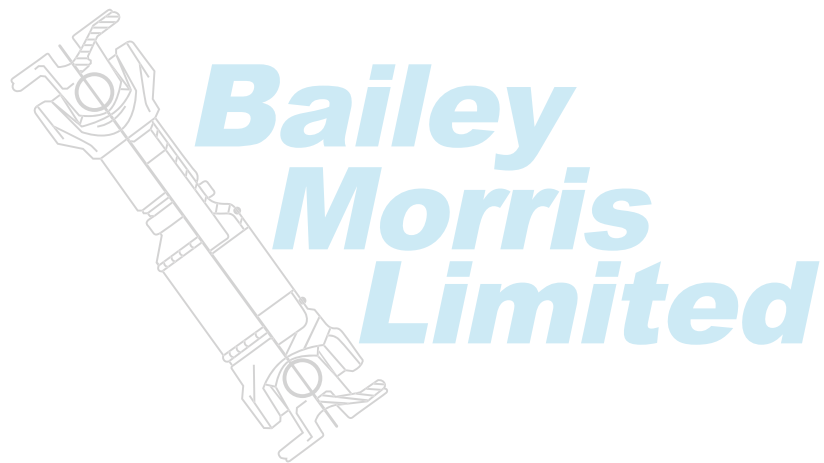


DIMENSIONS: A: _____ B: _____ TYPE: _____

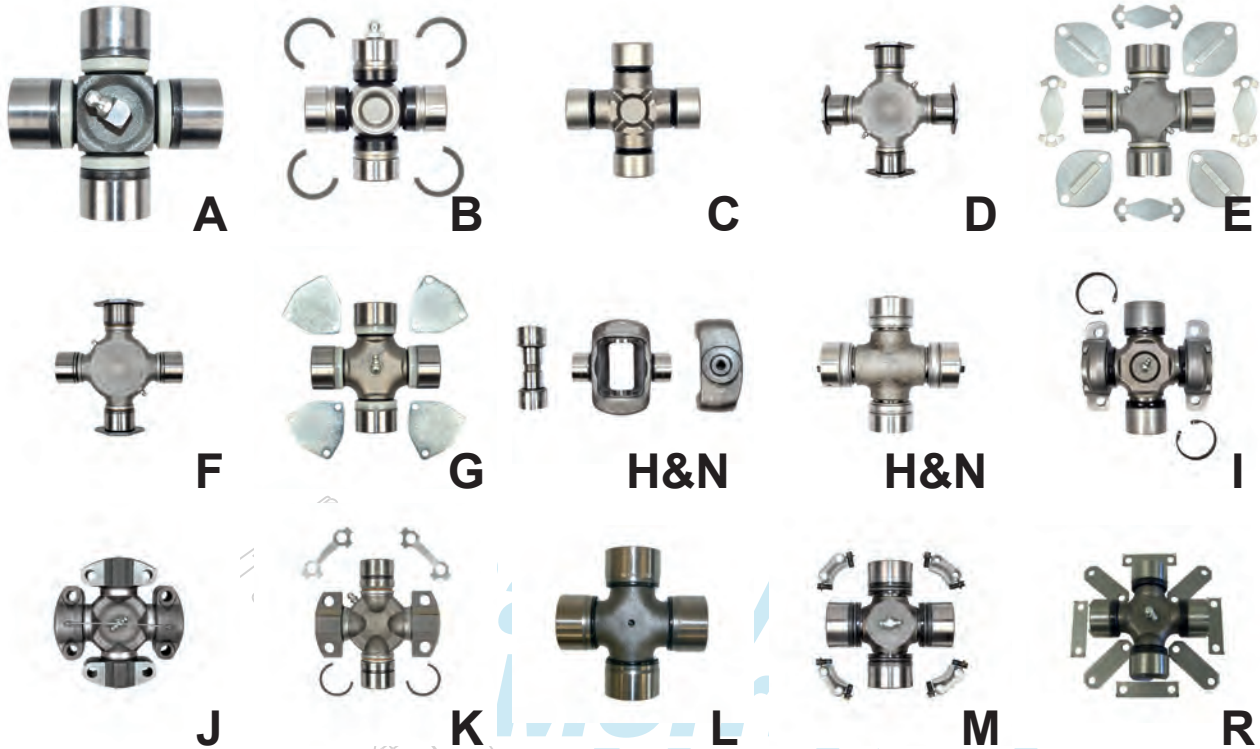
TECHNICAL QUESTIONNAIRE FOR TYPE R HINO & MITSUBISHI JOINTS



DIMENSIONS: A: _____ B: _____



UNIVERSAL JOINTS LISTING BY BEARING CAP DIAMETER & SPAN AND BY B.M REF NUMBER



UNIVERSAL JOINTS BY SIZE ORDER

BM REF #	CAP Ø OR HOLE CTRS MM	SPAN OR HOLE CTRS MM	OPPOSITE SPAN MM	COMMENTS	JOINT TYPE
BM287	14	36		204.010	A
BM446	14	36		END LUBE	A
BM02	15	38		STEERING JOINT (SFL) NON LUBE GU1538L	C
BM210	15	40		BMW INA BEARINGS GU1540L	C
BM01	15	40.1		473.30 END LUBE	A
BM827	15	46			A
BM363	16	24.5		KAWASAKI GUKW7	B
BM295	16	38		(SFL) NON LUBE	C
BM296	16	40		(SFL) NON LUBE	C
BM03	17	41		ELBE 0.105 END LUBE	A
BM346	17	41		ELBE 0.105 CENTRE LUBE	A
BM04	18	47		CENTRE LUBE	A
BM09	19	44		BMW STEERING JOINT (SFL) NON LUBE	A
BM608	19	44		BMW STEERING JOINT (SFL) NON LUBE INA BRGS	C
BM10	19	48		ELBE 0.106 CENTRE LUBE	A
BM264	19	48		STEERING JOINT WITH CTR LUBE GU1948	C
BM556	19	48		STEERING JOINT (SFL) NON LUBE	C
BM460	19	48		ELBE 0.106 2 X END LUBE	A
BM120	19	52		0500 SRS / CENTRE LUBE GU350	A
BM120/1	19	52		0500 SRS / CENTRE LUBE	A
BM557	19	52		STEERING JOINT STAKED WITH LUBE	C
BM463	19	55.7		DACIA (SFL) STAKED	C

BM REF #	CAP Ø OR HOLE CTRS MM	SPAN OR HOLE CTRS MM	OPPOSITE SPAN MM	COMMENTS	JOINT TYPE
BM703	20	29/31.2		KAWASAKI END LUBE GUKW.2 (SFL)	B
BM734	20	37/40		YAMAHA SFL	B
BM366	20	44		MOTO GUZZI	A
BM652	20	50		CENTRE LUBE	A
BM22	20	50.2		SCANIA STEERING JOINT	A
BM853	20	56.9		(SFL) SUZUKI STAKED OE	C
BM14	20	57		TOYOTA GUT11	A
BM17/1	20.01	35		NISSAN GUN28	B
BM405	20.01	38		YAMAHA 2800-A SFL	B
BM11	20.02	54.8		DAIHATSU GD81 END LUBE	A
BM522	20.06	59.8		SUZUKI GUS6	C
BM12	20.07	52.4		NISSAN GUN45	C
BM425	20.5	56.6		ISUZU KUBOTA GUN44	A
BM197	22	35.56		TO REPLACE O.E STAKED TOYOTA	B
BM380	22	37.6/39.6		NISSAN FORKLIFT 37.6MM INNER EDGES - CIRCLIPS 2MM	B
BM799	22	48		VARIOUS	A
BM22	22	50.2		SCANIA STEERING JOINT	A
BM24	22	54.8		AGRICULTURAL - GUA4	A
BM416	22	55.6		ZF STEERING	A
BM18	22	57		TOYOTA GUT24	C
BM689	20	57.5		JAPANESE APPLICATIONS	A
BM859	21	56		ELBE 0.107 SRS OLD TYPE	A
BM25	22	58		107.012 END LUBE	A
BM28	22	58		107.010 CENTRE LUBE	A
BM23	22	58.8		MERCEDES	A
BM493	22	59		WET 13 075 002	A
BM19	22	64		FORD GU295	C
BM453	22	65		HONDA	A
BM21	22	67		FORD GU296	C
BM47	22.01	40		MITSUBISHI GUM-95	B
BM20	22.02	54.15		AGRICULTURAL	A
BM341	22.06	61.7		NISSAN SERENA / ISUZU GUIS63	C
BM560	22.06	64.5		MITSUBISHI GUM85	C
BM27	22.5	35.2		DAIHATSU GD88	B
BM330	23.8	37.9		SPICER 5.170X	B
BM161/1	23.8	61.3		1140 NON LUBE - SLF	A
BM194	23.8	61.3		1140 STANDARD / SIDE LUBE (EXTENDED NIPPLE)	A
BM31	23.8	61.3		1140 STANDARD CENTRE LUBE LUBE	A
BM621	23.8	61.3		1140 (MATSUI / UJ-023) SIDE LUBE	A
BM414	23.8	61.3		1140 STANDARD / END LUBE IN CAP	A
BM29	23.8	61.3		1140 PREMIUM DUTY / LUBE	A
BM29/1	23.8	61.3		1140 PREMIUM DUTY HS152 / LUBE C/W THRUST WASHERS	A
BM230	23.8	61.3		1140 HEAVY DUTY / SFL (FREELANDER)	A
BM230/1	23.8	61.3		1140 HEAVY DUTY / SFL (FREELANDER) O. E. SPECIFICATION	A
BM252	23.8	62.5		300 STEER AXLE SIDE LUBE	H & N
BM310	23.8	62.5		300 STEER AXLE / SFL	H & N
BM483	23.8	86		BYPY 412040012 OFFSET	H & N
BM808	24	61.5		(SFL) MERCEDES	C
BM35	24	62.5		BMW GU298	B
BM35/1	24	62.5		BMW GU298 C/w INA BRGS	B
BM626	24	34.34		OPEL U701	C
BM776	25	56.5		BMX X3 "OEM ORIGINAL"	A

BM REF #	CAP Ø OR HOLE CTRS MM	SPAN OR HOLE CTRS MM	OPPOSITE SPAN MM	COMMENTS	JOINT TYPE
BM34	24	63.4		ALFA ROMEO	C
BM449	24	64.2		NISSAN SERENA	C
BM37	24	74.5		MERCEDES VITO SFL GU299 INA BEARING CAPS	C
BM37/1	24	74.5		MERCEDES SFL GU299 - BUDGET	C
BM547	24	74.5		MERCEDES SPRINTER & E CLASS - ORIGINAL SPEC	C
BM566	24	88		(SFL) MERCEDES SPRINTER & E CLASS	C
BM566/1	24	88		(SFL) MERCEDES SPRINTER & E CLASS C/W INA BRG CAPS	C
BM629	24.06	71.4		33.7MM INNER EDGES & 36.7MM OUTER EDGES	C
BM630	24.6	33.7		ROCKWELL INTERNAL CIRCLIPS - LUBE IN CAP	B
BM644	24.69	41.68		MAZDA GUMZ7	B
BM38	25	41.2		SUBARU GUSR-4	B
BM473	25	40.4		NISSAN GUN34	B
BM490	25	52		NSU SFL	B
BM645	25	60.3		SUZUKI GUH-02	A
BM305	25	64		MITSUBISHI GUM88 / GUM 91	A
BM39	25	76.5		MITSUBISHI GUM76	A
BM511	25.01	77.8		MITSUBISHI GUMZ1	A
BM40	25.02	63.8		MITSUBISHI GUMZ13	A
BM42	25.1	40		NISSAN GUN27	B & J
BM625	25.4	38.88		OPEL 25.4X 38.88MM I/C & 33.X43.6MM MECHANICS	
	33.3	43.6		COMB U710	B & J
BM43	25.4	38.8		OPEL END LUBE GUS1	B
BM828	25.4	38.8		27X61.9MM & 25.4X38.63 I/C ON OPPOSITE SPAN	A & B
	27	61.9			
BM489	25.4	59.4		NEAPCO (P.T.O) & OLDSMOBILE 2060D	A & B
BM694	25.4	59.4		1310 / 2R 27X81.8MM COMBINATION 35.4X59.4MM I/C	
	27	81.8		ON OPPOSITE SPAN 2060W	A & B
BM44	26	42		TOYOTA GUT12	B
BM45	26	53.6		MITSUBISHI GUM84	B
BM512	26	68		287.00 CENTRE LUBE	A
BM193	26	69.8		287.00 END LUBE	A
BM221	26	69.8		287.00 (SFL) NON LUBE	A
BM46	26	69.8		287.00 (SFL) NON LUBE	A
BM697	26	69.8		287.00 CENTRE LUBE - METAL SEALS	A
BM367	26	72.1		GEWES 30 SRS	A
BM48	26.5	48		MAZDA GUMZ9	B
BM290	27	42.15		NISSAN / ROCKWELL L12N 2525A	
		46		42.15MM INNER EDGES / 46.1MM OUTER EDGES	B
BM344	27	46.1/49.1		NISSAN (SFL) GUN46	B
BM260	27	55.5		CHRYSLER/ CHEVROLET U102	B
BM49	27	61.9		SANDERSON 1210 SPICER END LUBE	A
BM49/1	27	61.9		ORIGINAL SPICER END LUBE 5-443X	A
BM492/1	27	61.9		MITSUBISHI GUM77	A
BM828	27	61.9		27X61.9MM & 25.4X38.63 I/C ON OPPOSITE SPAN	A & B
	25.4	38.8			
BM56	27	65.3		KLEIN 080 GENUINE / KRAMER	A
BM209	27	66.3		AGRICULTURAL	A
BM58	27	70		AGRICULTURAL	A
BM475	27	70		LUBE HOLE THROUGH SIDE OF BRG CAP	A
BM53	27	71		FORD TRANSIT NON INA BEARINGS	C
BM255	27	71		C/w 1.3MM CIRCLIPS (SFL) ALTERNATIVE	A
BM255A	27	71		C/w 1.3MM CIRCLIPS (SFL)	A

BM REF #	CAP Ø OR HOLE CTRS MM	SPAN OR HOLE CTRS MM	OPPOSITE SPAN MM	COMMENTS	JOINT TYPE
BM200	27	74		(SFL) SPRINTER	C
BM200/1	27	74		(SFL) SPRINTER C/w INA BEARING CAPS	C
BM195	27	74.6		1300 (MATSUI / UJ-055) SIDE LUBE	A
BM195A	27	74.6		1300 (GMB GU-1100) SIDE LUBE	A
BM195B	27	74.6		1300 INTERMEDIATE SHROUDED SEALS & THRUST WASHERS	A
BM52	27	74.6		1300 INTERMEDIATE - SIDE LUBE	A
BM52/1	27	74.6		1300 PREMIUM	A
BM52/2	27	74.6		1300 SPICER ITALCARDANO - SIDE LUBE	A
BM52/3	27	74.6		1300 SRS PREMIUM DUTY (METAL SEALS & THRUST WASHERS)	A
BM332	27	74.6		1300 STANDARD / CENTRE LUBE	A
BM54	27	74.6		1300 (SFL) STEEL SEAL RETAINERS & THRUST WASHERS	A
BM297	27	74.6		1300 (SFL)NON LUBE PREMIUM DUTY	A
BM297/1	27	74.6		1300 (SFL)NON LUBE PREMIUM DUTY O.E. SPECIFICATION	A
BM301	27	74.6		1300 (SFL) LAND ROVER RUNS IN OIL	A
BM236	27	74.6		2015 / 687.15 GENUINE CENTRE LUBE	A
BM236A	27	74.6		2015 / 687.15 CENTRE LUBE	A
BM352	27	74.6		2015 / 687.15 GENUINE 2 X END LUBE	A
BM352/1	27	74.6		2015 / 687.15 GENUINE 4 X END LUBE	A
BM450	27	74.6		2015 / 687.15 (SFL) INA BRG CAPS	A
BM620	27	74.6		2015 / 687.15 GENUINE 4 X LUBE IN END OF CAP	A
BM550	27	80		NEW SERIES FORD TRANSIT - STAKED	C
BM550/1	27	80		NEW SERIES FORD TRANSIT - STAKED	C
BM422	27	80		HYUNDAI	A
BM51	27	80		VW LT GENUINE C/W INA BEARINGS U178	C
BM345	27	81.8	27X92	1310 / 1330 COMB 27X92MM ON OPPOSITE SPAN	A
BM3451	27	81.8	27X92	1310 / 1330 COMB 27X92MM ON OPPOSITE SPAN 5-134X	A
BM815	27	81.8	27.4X54	1310 / 7260 COMB 27X81.8MM / 27.4X54MM I/C	
				INTERNAL CIRCLIP	A & B
BM555	27	81.8	27.4X54	1310 / 7260 COMB 27X81.8MM / 27.4X54MM I/C	
				INTERNAL CIRCLIP	A & B
BM432	27	81.8	28X56	1310SRS COMB 27X81.8MM / 28X56MM INTERNAL	
				CIRCLIP	A & B
BM603	27	81.8	28.6X55.2/60	CLEVELAND S55-55-675 28.58X81.8MM / 27X60.45MM	
				I/C & 81.8MM EXT CIRCLIP	A & B
BM438	27	81.8	28.6X65	1310 SRS TO 3RL COMBINATION / 27X81.8MM /	
				28.6X65MM I/C	A & B
BM131	27	81.8	30.2X92.1	1310 / 1350 COMBINATION 30.2X92.1MM ON	
				OPPOSITE SPAN	A
BM247	27	81.8		1310 ORIGINAL SPICER PREMIUM (SFL) NON LUBE	
				5-625X	A
BM300	27	81.8		1310 SFL NON LUBE	A
BM50	27	81.8		1310 H.D. METAL SEAL & THRUST WASHER	A
BM50/1	27	81.8		1310 SPICER ITALCARDANO SIDE LUBE	A
BM50/2	27	81.8		1310 H.D. METAL & RUBBER SEAL & THRUST WASHER	A
BM50/3	27	81.8		1310 H.D. AYRA SPICER	A
BM50/4	27	81.8		1310 H.D. PLASTIC SEALS & THRUST WASHER	A
BM50/5	27	81.8		1310 H.D. METAL SHROUD & THRUST WASHER HS152	A
BM50/8	27	81.8		1310 H.D. HIGH TEMP	A
BM728	27	81.8		1310 (MATSUBA UJ-016) SIDE LUBE	A
BM605	27	81.8		1310 ORIGINAL SPICER 5-153X	A
BM592	27	81.8		1310 HEAVY DUTY (SFL)	A

BM REF #	CAP Ø OR HOLE CTRS MM	SPAN OR HOLE CTRS MM	OPPOSITE SPAN MM	COMMENTS	JOINT TYPE
BM55	27	81.8		1310 STANDARD / SIDE LUBE	A
BM55/1	27	81.8		1310 C/w LARGER CROSS JOURNAL (PIN Ø 18.2M)	A
BM55/2	27	81.8		1310 (GMB GU-1000) SIDE LUBE	A
BM570	27	81.8		1310 END LUBE VERSION 5-810X ALTERNATIVE	A
BM733	27	81.8		1310 ORIGINAL SPICER 5-1310-1X (5-810X) LUBE IN CAP - RANGER	A
BM586	27	81.8		1310SRS 6.4MM OFF SET CROSS	A
BM656	27	81.8	28X80	1310 SRS 27X81.8MM / 28X80MM ON OPPOSITE SPAN	
	28	80		DAIHATSU	A
BM509	27	81.8	33.27X59.44	1310 / 2C 33.27X59.44 2C MECHANICS COMBINATION END LUBE	A & K
BM834	27	82		(SFL) IVECO DAILY ORIGINAL EQUIPMENT	C
BM617	27	84.4		1310 SRS C/w HOLE IN BODY TO SUIT 1310SRS DOUBLE JOINT	A
BM57	27	85		AGRICULTURAL	A
BM337	27	87		GWB 369.04 5MM OFFSET CROSS	H & N
BM582	27	88		SPRINTER - STAKED "INA BRG CAPS" (SFL)	C
BM582A	27	88		SPRINTER - STAKED *ALTERNATIVE* (SFL)	C
BM712	27	92.1	28.6X66.6	1330 SRS TO 7290 SRS COMBINATION 27X92.1MM / 28.6X66.6MM INTERNAL CIRCLIP ON OPPOSITE SPAN	A & B
BM59	27	92.1		1330 STANDARD	A
BM782	27	92.1		1330 GMB G5-213X	A
BM669	27	92.1		1330 SPICER ORIGINAL	A
BM800	27	92.1		1330 **NEAPCO GOLD LINE** (SFL)	A
BM681	27	92.1		1330 END LUBE TOYOTA HILUX 5-812X	A
BM684	27	92.1		1330 SFL DANA SPL25 SFL	A
BM452	27	92.1		LANDROVER DISCOVERY	A
BM578	27	92.1	30.2X92.1	1330/1350 COMBINATION	A
BM633	27	94		AGRICULTURAL 27X94 / 32X76MM COMBINATION	A
	32	76			
BM661	27	100		BYPY AGRICULTURAL	A
BM299	27.38	54		DETROIT 7260 SERIES (END LUBE)	B
BM304	27.38	50.8/53.9		JENSON & VOLVO PENTA 2387EA	B
BM680	28	44		FORD TAUNUS GU-1720 / U172	B
BM793	28	48.4 / 51.6		KIA INTERNAL CIRCLIP 48.4MM INNER EDGES	B
BM356	28	49		MERCEDES INTERNAL CIRCLIP	B
BM739	28	49		MERCEDES INTERNAL CIRCLIP (SFL)	B
BM61	28	53		NISSAN GUN29	B
BM60	28	56		MAZDA GUMZ6	B
BM65	28	71.5		109.010 CENTRE LUBE	A
BM62	28	71.5		ELBE 0.109 2 X END LUBE	A
BM285	28	76.5		KLEIN	A
BM63	28.01	80		DAIHATSU GUD84	A
BM406	28.5	66	27X55	DODGE 28.5X66 / 27X55	B
BM726	28.5	70		ELBE 408 SRS STEER AXLE LUBE IN SIDE OF BRG CAP	A
BM64	28.5	70.9		ELBE 0.109 (NEW) REPLACES 28X71.5	A
BM770	28.5	70.9		ELBE 0.109 (NEW) LUBE IN SIDE OF BRG CAP - FOR DOUBLE JOINT	A
BM798	28.5	70.9		ELBE 0.109 (NEW) 2 X END LUBE	A
BM763	28.5	70.9		ELBE 0.109 MAINTENANCE FREE (SFL)	A
BM66	28.5	77.9		TOYOTA & MITSUBISHI GUT14	A
BM418	28.57	75		FORD ZEPHYR / ZODIAC GU290	A

BM REF #	CAP Ø OR HOLE CTRS MM	SPAN OR HOLE CTRS MM	OPPOSITE SPAN MM	COMMENTS	JOINT TYPE
BM223	28.58	49/53.84		TOYOTA / HILUX 2060V CENTRE LUBE & LUBE IN 1 X CAP	B
BM486	28.58	49		TOYOTA 1 X LUBE IN END CAP	B
BM07	28.58	66.68		DAIHATSU 2537A	B
BM480	28.58	66.68		ROCKWELL 3331A	B
BM603	28.58	60.45	27X81.8	CLEVELAND S55-55-675 28.58X81.8MM / 27X60.45MM I/C & 81.8MM EXT CIRCLIP	A & B
BM67	28.6	60.2/64.9		3R SRS GM 60.2MM INNER EDGES 3031B GMB	B
BM67	28.6	60.2/64.9		3R SRS GM 60.2MM INNER EDGES 3031B	B
BM577	28.6	60/65	30.2X92.1	1350SRS / 3R COMBINATION	A & B
BM347	28.6	60/65	27X92.1	1330 / 3R COMBINATION 5-212X	A & B
BM438	28.6	65	27X81.8	1310 / 28.6X65MM I/C ON OPPOSITE SPAN	A & B
BM606	28.6	77.6		4C / 2 X HIGH WING DRILLED & 2 X INTERNAL	
	36.5	87.4		CIRCLIP 28.6X77.6MM	K
BM213	29	49		TOYOTA HILUX / END LUBE	B
BM68	29	49		TOYOTA HILUX	B
BM68A	29	49		TOYOTA HILUX / PREMIUM TYPE	B
BM340/1	29	49		TOYOTA HILUX / NON LUBE (SFL)	B
BM488	29	50		ISUZU / TROOPER UJ230 END LUBE	B
BM69	29	50		ISUZU / TROOPER GUI52	B
BM772	29	50		ISUZU / TROOPER GUT-31 (SFL)	B
BM524	29	70		ISUZU	B
BM624	29	76		VAUXHALL U705	A
BM658	30	92.1		(SFL) NEW FORD TRANSIT 8C SRS FORD SHAFTS *O.E. SPEC*	C
BM215	30	55.1/58.1		mitsubishi GUD89 / GUM93	B
BM261	30	71		mitsubishi GUM96	B
BM291	30	79		509.021 OFF SET CROSS 5MM OFFSET	H & N
BM76	30.2	80		AGRICULTURAL CTR LUBE	A
BM491	30	81.8		287.10 (SFL) NON LUBE	A
BM553	30	81.8		287.10 4 X END LUBE	A
BM71	30	81.8		287.10 CENTRE LUBE GUA-10 / U742	A
BM71/1	30	81.8		287.10 CENTRE LUBE INA BRG CAPS	A
BM362	30	82.4		C/w INA BRG CAPS (SFL)	A
BM288	30	82.4		GEWES CENTRE LUBE	A
BM732	30	82.4		2 X END LUBE	A
BM212	30	83		110.012 END LUBE	A
BM364	30	83		110. ELBE LUBE IN CIRCUMFERENCE OF CAP	A
BM72	30	83		110.010 CENTRE LUBE	A
BM662	30	83		(SFL) NON LUBE	A
BM701	30	83		ELBE 0.110 4X END LUBE	A
BM850	30	83		ELBE 0.110 CTR LUBE - HIGH TEMP 180 DEGREES	A
BM308	30	86.7		7MM OFFSET GEWES (SFL)	A
BM376	30	86.7		BONDIOLI	A
BM632	30	88		BUGATTI	A
BM311	30	91		5MM OFFSET KLEIN 018 (SFL) 4 OFF PLUGS IN END CAPS	H & N
BM641	30	92		SFL	A
BM239	30	96		369.10 STEER AXLE 6MM OFFSET CROSS	H & N
BM415	30.15	52.4/55.5		CHEROKEE JEEP 5-297X	B
BM389	30.17	92		BTB 200 SRS LUBE THROUGH CAP TO SUIT DEUTZ TRACTOR	A
BM76	30.2	80		BYPY 5.41 - GUA-11 CENTRE LUBE	A
BM232	30.2	81.8		687.20 WITH LUBE & 1.5MM CIRCLIPS	A

BM REF #	CAP Ø OR HOLE CTRS MM	SPAN OR HOLE CTRS MM	OPPOSITE SPAN MM	COMMENTS	JOINT TYPE
BM232A	30.2	81.8		687.20 WITH LUBE & 1.5MM CIRCLIPS - HEAVY DUTY	A
BM232/1	30.2	81.8		687.20 C/w WITH LUBE HEAVY DUTY INA BRG CAPS	A
BM394	30.2	81.8		687.20 C/w WITH LUBE	A
BM412	30.2	81.8		2020 / 687.20 (SFL) NON LUBE	A
BM412A	30.2	81.8		2020 / 687.20 (SFL) INA BRG CAPS	A
BM855	30.2	81.8		2020 / 687.20 - MATSUBA UJ-039	A
BM844	30.2	81.8		2020 / 687.20 - LUBE IN CAP - DOUBLE JOINT APPLICATION	A
BM256	30.2	81.8		JCB (SFL) NON LUBE C/W 1.2MM CIRCLIPS - STEER AXLE	A
BM256A	30.2	81.8		JCB (SFL) NON LUBE C/W 1.2MM CIRCLIPS - STEER AXLE	A
BM355	30.2	81.8		2020 / 687.20 LUBE IN CAP	A
BM77	30.2	81.8		CENTRE LUBE SPICER 2020 ORIGINAL	A
BM394	30.2	81.8		2020 / 687.20 1.5MM CIRCLIPS	A
BM404	30.2	92.1		NEW GENERATION FORD TRANSIT CENTRE LUBE	A
BM73	30.2	92.1		1350 STANDARD	A
BM623	30.2	92.1		1350 SPICER PREMIUM 5-178X LUBE	A
BM801	30.2	92.1		1350 SRS **NEAPCO GOLD LINE** (SFL)	A
BM665	30.2	92.1		1350 JOINT 30.2X92.1MM (SFL) DANA SPL30	A
BM665A	30.2	92.1		1350 JOINT 30.2X92.1MM (SFL) MATSUBA SPL30	A
BM74	30.2	92.1		1430 SERIES	A
BM643/1	30.2	92.1		1350 END LUBE IN BRG CAP	A
BM643	30.2	92.1		1350 (MATSUBA UJ-037)	A
BM750	30.2	92.1		GKN TYPE - LANDROVER	A
BM572	30.2	92.1		1350 SERIES / ALLOY BRG CAPS (SFL) BRUTE FORCE	A
BM563	30.2	92.1		1350 SERIES / PREMIUM HEAVY DUTY (SFL) BRUTE FORCE	A
BM469	30.2	95.4	101.4	COMER T60 AGRICULTURAL	A
BM664	30.2	92.1		1350 / 1410 COMBINATION JOINT	A
	30.2	106.3			
BM179	30.2	106.3		1410 STANDARD / SIDE LUBE	A
BM179A	30.2	106.3		1410 STANDARD ORIGINAL SPICER 5-153X / SIDE LUBE	A
BM802	30.2	106.3		1410 **NEAPCO GOLD LINE** (SFL)	A
BM806	30.2	106.3		1410 SPICER ORIGINAL - 5-462X WITH STEEL SHROUDS	A
BM211	30.2	106.3		SPL41 (SFL) TRIPLE LIP SEAL 5-641X ORIGINAL SPICER	A
BM499	30.2	106.3		1410 HEAVY DUTY LUBE	A
BM663	30.2	106.3		1410 SERIES "BRUTE FORCE" SFL HIGH SPEC	A
BM561	30.2	106.3		1410 SERIES HEAVY DUTY WITH SIDE LUBE	A
BM729	30.2	106.3		1410 SERIES MATSUBA UJ-042 WITH SIDE LUBE	A
BM825	30.2	106.3		1410 SERIES SPICER END LUBE IN BRG CAP	A
BM794	30.2	106.3		(SFL) NEW IVECO DAILY PROPSHAFTS *O.E. SPEC*	C
BM167	30.2	106.3	36.5X87.4	4C HIGH WING DRILLED / 1410 COMBINATION	K
BM829	30.2	106.3		1410 / 1480 COMBINATION JOINT SFL	A
	34.9	106.3			
BM340	31	110		MERCEDES ATEGO C/w INA BEARINGS & LUBE	A
BM340A	31	110		MERCEDES ATEGO WITH LUBE ALTERNATIVE	A
BM79	31.02	44.1		TRANSIT GU1740	C
BM78	31.02	88		MERCEDES G-WAGEN STAKED BRG CAPS (SFL)	C
BM78/1	31.02	88		MERCEDES G-WAGEN STAKED BRG CAPS LUBE IN CAP	C
BM870	31.02	88		MERCEDES OE STAKED SFL	C
BM842	31.3	46		DETROIT 5160 - SIDE LUBE 50.8MM OVER OUTER FACES	B
BM80	31.3	58		DEUTZ TRACTOR U256	B
BM552	31.3	72.2	31.8X81.3	DETROIT 5380 76.1MM TO OUTER EDGES	B

BM REF #	CAP Ø OR HOLE CTRS MM	SPAN OR HOLE CTRS MM	OPPOSITE SPAN MM	COMMENTS	JOINT TYPE
BM616	31.8 28.6	81.3 108	31.8X81.3	WEASLER 31.8X81.3MM (28.6X108MM ON OPPOSITE SPAN)	A
BM322	31.8	81.4		SPICER 1340 SRS 2593A CTR LUBE & 2 X END LUBE	A
BM518	32	57		MAZDA GUMZ3	B
BM162	32	61		TOYOTA GUT20	B
BM359	32	63.8		NISSAN PATROL GUN35	B
BM82	32	76		AGRICULTURAL	A
BM633	27 32	94 76		AGRICULTURAL 27X94 / 32X76MM COMBINATION	A
BM196	32	82		KLEIN 103.019.11744 OFF SET JOURNALS - KRAMER	H & N
BM459	32	83.9	42.9X88.9	5C 2 X HIGH WING DRILLED / INTERNAL COMBINATION - KOYO	K
BM112	32	86		JOHN DEERE TRACTOR	A
BM217A	32	95.6		MISC AGRICULTURAL	A / H & N
BM510	32	100		KLEIN 019 SRS - KRAMER C/w 7MM OFFSET JOURNALS	H & N
BM810	32	106	36X89	WALTERSCHEID 36.06.00 W2580 SRS 36X89MM ON OPP SPAN	A
BM81	32	106.3		FIAT	A
BM514	32	107		NISSAN GUN31 c/w PLATES & BOLTS	R
BM313	32	110.7		KLEIN 021 STEER AXLE 369.20	A
BM670	33	93		ISUZU	A
BM696	33	104		ISUZU	A
BM164	33.27	59.44		2C LOW WING THREADED	J
BM229	33.27	59.44		2C LOW WING DRILLED	J
BM277	33.27	59.44		2C LOW WING THREADED / LOW WING DRILLED	J
BM509	33.27	59.44	27X81.8	1310 / 2C 33.27X59.44 2C MECHANICS COMBINATION END LUBE	A & K
BM273	33.35	84	42.9X88.9	5C HIGH WING DRILLED COMBINATION	K
BM241	33.35	84	42.9X88.9	5C LOW WING THREADED COMBINATION	K
BM273	33.35	84	42.9X88.9	5C HIGH WING DRILLED COMBINATION	K
BM242	33.4	109	42.9X114.3	6C HIGH WING DRILLED INTERNAL CIRCLIP COMBINATION	K
BM336	33.5	109.4	42.9X114.3	6C LOW WING THREADED INTERNAL CIRCLIP COMBINATION	K
BM471	34	51.6		WALTERSCHEID GUA15	B
BM205	34	89		KLEIN 125 GENUINE / UNIMOG & KRAMER	A
BM86	34	96		511.021 OFF SET CROSS 6.5MM OFFSET	H & N
BM83	34	97		112.010 CENTRE LUBE	A
BM85	34	97		112.010 END LUBE	A
BM736	34	97	35X97	ELBE 0.112 COMBINATION 34X97MM / 35X97MM	A
BM84	34	107		EXTERNAL CIRCLIP GUT-15	A
BM320	34.6	130		269.30 STEER AXLE (TAPPED)	N
BM321	34.6	130		269.30 STEER AXLE (DRILLED)	N
BM226	34.9	72.2/76.1		DODGE RAM	B
BM618	34.9	74.1		3-0485	B
BM89	34.9	92		687.25 GENUINE	A
BM479	34.9	92		687.25 C/W INA BRGS	A
BM583	34.9	92		687.25 GENUINE NON LUBE (SFL)	A
BM704	34.9	92		687.25 HIGH TEMPERATURE CENTRE LUBE	A
BM523	34.9	94		BYPY	A
BM249	34.9	106.4		687.30 / 2030 SRS ALTERNATIVE	A

BM REF #	CAP Ø OR HOLE CTRS MM	SPAN OR HOLE CTRS MM	OPPOSITE SPAN MM	COMMENTS	JOINT TYPE
BM263	34.9	106.4		1480 STANDARD	A
BM272	34.9	106.4		1480 ORIGINAL SPICER 5-263X	A
BM361	34.9	106.4		1480 SRS END LUBE IN 1 X BRG CAP	A
BM170	34.9	106.3	42.9X88.9	5C HIGH WING DRILLED COMBINATION / 1480SRS	K
BM761	34.9	106.3	42.9X88.9	5C HIGH WING THREADED COMBINATION / 1480SRS	K
BM440	34.9	106.4		SPL55 SPICER ORIGINAL LUBE	A
BM441	34.9	106.4		SPL55 SPICER ORIGINAL (SFL) NON LUBE	A
BM88	34.9	106.4		687.30 SRS INA BRG CAPS	A
BM87	34.9	106.4		687.30 SRS C/W INA BRG CAPS	A
BM87A	34.9	106.4		687.30 SRS ALTERNATIVE	A
BM423	34.9	106.4		687.30 NON LUBE (SFL)	A
BM508	34.9	106.4		687.30 SRS LATERAL (SIDE) LUBE	A
BM829	30.2	106.3	34.9X106.3	1410 / 1480 COMBINATION JOINT	A
BM250	34.9	126.2		SPL70 SPICER ORIGINAL NON LUBE (SFL)	A
BM275	34.9	126.2		1550 STANDARD	A
BM554	34.9	126.2		SPL70-1X WITH LUBE	A
BM388	34.9	126.2		1550 NON LUBE (SFL)	A
BM173	34.9	126.2	42.9X114.3	6C HIGH WING DRILLED COMBINATION / 1550	K
BM354	34.9	126.2	42.9X114.3	SPL70 / 6C 2 X HIGH WING DRILLED 42.9X114.3MM SPICER	K
BM752	34.9	104.6/109.4	42.9X114.3	6C MECHANICS & 34.9X106.4MM ON OPPOSITE SPAN	K
BM331	34.93	93		BTB 330	A
BM382	35	87		GEWES 61 SRS 7MM OFFSET CROSS	H & N
BM692A	35	93		JCB STEER AXLE	A
BM225	35	93		SPICER ORIGINAL 1.5MM CIRCLIPS JCB O.E.	A
BM257	35	93		BTB 01788 NON LUBE 1.5MM CIRCLIPS	A
BM314	35	96.5		KLEIN 023 OFF SET CROSS / GWB 469.20 SRS	H & N
BM314A	35	96.5		KLEIN 023 OFF SET CROSS / GWB 469.20 SRS (SFL)	H & N
BM207	35	96.8		287.20 END LUBE	A
BM90	35	96.8		287.20 / 587.10	A
BM716	35	96.8		287.20 C/w INA BRG CAPS (SFL)	A
BM872	35	96.8		587.10 C/w INA BRG CAPS (4X END LUBE)	A
BM198	35	97		ELBE 112.010 CENTRE LUBE (REPLACES BM83 34X97MM)	A
BM199	35	97		ELBE 112.012 END LUBE (REPLACES BM85 34X97MM)	A
BM832	35	97		ELBE 0.112 MAINTENANCE FREE (SFL)	A
BM342	35	103.92		MITSUBISHI CANTOR GUIS62	A
BM249	35	106.4		SIDE LUBE	A
BM91	35	110.7		KLEIN 023 STEER AXLE 369.21	H & N
BM515	35.5	119.2		NISSAN GUN32	A
BM93	36	89		AGRICULTURAL CENTRE LUBE	A
BM810	36	89	32X106	WALTERSCHEID 36.06.00 W2580 SRS 32X106MM	
				ON OPP SPAN	A
BM92	36	115.6		HINO GUH74	A
BM165	36.5	69.9		3C LOW WING THREADED	J
BM166	36.5	69.9		3C HIGH WING DRILLED - LUBE IN CAP	J
BM168	36.5	87.4		4C LOW WING THREADED	J
BM169	36.5	87.4		4C HIGH WING DRILLED	J
BM224	36.5	87.4		4C / 2 X HIGH WING DRILLED & 2 X LOW WING THREADED	J
BM775	36.5	87.4		4C / 2 X LOW WING DRILLED & 2 X LOW WING THREADED	J
BM749	36.5	87.4		4C HIGH WING DRILLED - (SFL) MAINTENANCE FREE	J
BM458	36.6	57		FERRARI 2 X E/LUBE LOW WING THREADED /	
				LOW WING DRILLED	J

BM REF #	CAP Ø OR HOLE CTRS MM	SPAN OR HOLE CTRS MM	OPPOSITE SPAN MM	COMMENTS	JOINT TYPE
BM606	36.5 28.6	87.4 77.6		4C / 2X HIGH WING DRILLED & 2X INT CLIP 28.6X77.6MM (82.4MM)	K
BM601	37	66		MAZDA 37X66 / 72MM GUMZ8	B
BM13	38	57.2 / 62		MERCEDES U730	B
BM192	38	89.2		KLEIN 200 GENUINE / NON LUBE (SFL)	A
BM811	38	104		MITSUBISHI GUM82	A
BM94	38	104	38X119	369.30 STEER AXLE 38X119MM (38X104MM ON PIN)	H & N
BM584	38	104.5		469.30 STEER AXLE 2 X END LUBE IN CAP	H & N
BM584/1	38	104.5		469.30 STEER AXLE 2 X END LUBE IN CAP - SPICER	H & N
BM191	38	104.5		KLEIN 025 OFF SET CROSS / 469.30 8MM OFFSET	H & N
BM773	38	104.5		GWB 587.12 MERCEDES UNIMOG	A
BM96	38	105.8		387.20 CENTRE LUBE	A
BM218	38	106		0.113.010.0001 ELBE SERIES CENTRE LUBE	A
BM482	38	106		0.113 ELBE SERIES END LUBE	A
BM98	38	107		512.021 OFFSET CROSS 7.5MM LUBE IN SIDE OF BRG CAPH & N	
BM381	38	106	42.9X114.3	38X106MM / 6C HIGH WING DRILLED ON OPPOSITE SPAN	K
BM100	38	110		KLEIN 196 GENUINE / CENTRE LUBE IVECO	A
BM97	38	110		KLEIN 196 GENUINE / NON LUBE (SFL) MAN	A
BM520	38	110		KLEIN 196 GENUINE / MERCEDES UNIMOG	A
BM558	38	110		SKF MAINTENANCE FREE (SFL)	A
BM269	38	112		KLEIN	A
BM94	38	119	38X104	369.30 STEER AXLE 38X119MM (38X104MM ON PIN)	H & N
BM476	38	148		SCANIA P300 / INA BEARINGS C/W BRKTS NON LUBE (SFL)	I
BM99	38	148		SCANIA P300 / C/W BRKTS C/W INA BRG CAPS	I
BM542	38	148		SCANIA P300 / SKF BRG CAPS (SFL) C/W BRKTS	I
BM276	38.9	109.4		KOMATSU	A
BM101	39	127		SCANIA T50	A
BM258	39.6	105		340 STEER AXLE LUBE	A
BM259	39.6	105		340 STEER AXLE (SFL)	A
BM789	39.6	110		STEER AXLE WITH 9MM OFFSET CROSS - LUBE THRU CAPSH & N	
BM803	36.69	115.9		1510 SERIES C/w LOOSE PLATES	R
BM102	39.7	115.9		1630 SERIES COMPACT / (1510 HEAVY DUTY)	A
BM176	39.7	115.9		1510 SERIES STANDARD	A
BM176/1	39.7	115.6		1510 SERIES HAEVY DUTY MATSUBA	A
BM516	39.98	118		TOYOTA GUT16 / GUT32	A
BM343	40	104.3		STEER AXLE GWB 369.32SRS 8MM OFFSET	H & N
BM767	40	104.3		STEER AXLE GWB 369.32SRS 8MM OFFSET LUBE IN CAP	H & N
BM796	40	106.7		7.5MM OFFSET CROSS STEER AXLE CROSS 512.020 SRS	H & N
BM737	40	115		ISUZU GUIS64	A
BM580	41	108		BYPY & COMER AGRICULTURAL APPLICATION	A
BM725	41	118		BYPY 10.41 SRS CTR LUBE	A
BM103	41	126.2		SPL90 STANDARD LUBE	A
BM103A	41	126.2		SPL90 LUBE ALTERNATIVE	A
BM386	41	126.2		SPL100 STANDARD NON LUBE	A
BM104	41.3	104.5		1650 SRS 5-165X	A
BM312A	41.3	110.8	49.2X117.6	41.3X110.8MM I/C TO 7C HIGH WING DRILLED COMB	K
BM190	41.3	142.5	49.2X117.6	7C HIGH WING / 1650 COMB 49.2X117.6MM / 41.3X142.5MM	K
BM303	42	66		MERCEDES U747	B
BM809	42	104		WALTERSCHEID 26.00.00 SRS	A

BM REF #	CAP Ø OR HOLE CTRS MM	SPAN OR HOLE CTRS MM	OPPOSITE SPAN MM	COMMENTS	JOINT TYPE
BM576	42	104.5		587.15 INA BRGS	A
BM107	42	104.5		KLEIN 253 GENUINE / 587.15	A
BM521	42	104.5		SKF MAINTENANCE FREE (SFL)	A
BM836	42	104.5		MAINTENANCE FREE (SFL) AFM	A
BM15	42	106		MERCEDES / INA BEARINGS / CENTRE LUBE	A
BM15	42	106		MERCEDES / CENTRE LUBE	A
BM391	42	106		MERCEDES / NON LUBE (SFL)	A
BM208	42	110		513.021 OFF SET CROSS 7MM OFFSET	H & N
BM286	42	117.5		ELBE 0.148 SRS SIDE LUBE	A
BM448	42	117.5		ELBE 0.148 SRS LUBE IN CAP	A
BM519	42	117.5		ELBE 0.148 LUBE IN ALL 4 END CAPS	A
BM105	42	119.4		687.35 GENUINE SPICER	A
BM219A	42	119.4		687.35 ALTERNATIVE C/w THRUST WASHERS	A
BM219	42	119.4		687.35 ALTERNATIVE - INA BEARINGS	A
BM513	42	119.4		687.35 HIGH TEMP - VOLVO	A
BM531	42	119.4		687.35 SEALED FOR LIFE VERSION SPICER	A
BM531A	42	119.4		687.35 SEALED FOR LIFE VERSION EUROPEANA ORIGIN	A
BM612	42	119.4		687.35 - 4 X LUBE (LUBE IN EACH BRG CAP)	A
BM675	42	122		ELBE 415 SRS	A
BM106	42	123		115.012	A
BM457	42.9	73		FERRARI 4 X LOW WING THREADED	J
BM171	42.9	88.9		5C LOW WING THREADED	J
BM172	42.9	88.9		5C HIGH WING DRILLED	J
BM846	42.9	88.9		5C HIGH WING DRILLED - SPICER ORIGINAL	J
BM466	42.9	88.9		5C HIGH WING DRILLED SFL - SPICER ORIGINAL	J
BM325	42.9	88.9		5C / 2 X HIGH WING DRILLED & 2 X LOW WING THREADED	J
BM174	42.9	114.3		6C LOW WING THREADED	J
BM175	42.9	114.3		6C HIGH WING DRILLED	J
BM837	42.9	114.3		6C HIGH WING DRILLED (SFL) SPICER ORIGINAL	J
BM214	42.9	114.3		6C HIGH WING DRILLED / LOW WING THREADED COMBINATION	J
BM350	42.9	114.3		6C LOW WING DRILLED	J
BM690	42.9	114.3		6C DELTA WING	J
BM821	42.9	114.3		6C 4 X HIGH WING DRILLED - DOUBLE FACE KEY	J
BM711	43	135.9		NISSAN GUN-41 WITH PLATES & BOLTS	R
BM427	44	80		LOBRO (85MM OUTER EDGES)	B
BM111	44	124.8		MAGIRUS & MAN / CENTRE LUBE	A
BM108	44	126		VOLVO / NORDISKA NK300 CENTRE LUBE PREMIUM	G
BM379	44	126		VOLVO / NORDISKA NK300 PREMIUM SFL	G
BM517	44	129		MITSUBISHI GUM71	R
BM109	44	134		369.37 STEER AXLE	H & N
BM110	44	149		SCANIA T60	A
BM113	45	120.4		MERCEDES	A
BM114	45	121.4		KLEIN	A
BM116	45	125		515.021 OFF SET CROSS 8MM OFFSET	H & N
BM615	45	130.1		GEWES 81SRS 12MM OFFSET CROSS	H & N
BM115	45	131		0.116 ELBE	A
BM417	45	152		0.118 ELBE	A
BM857	45	152		0.118 ELBE END LUBE IN CAP	A
BM324	45.5	114.1		GEWES 71 SRS 10MM OFFSET CROSS	H & N
BM735	45.5	120		GWB569.38 SRS SFL 10MM OFFSET CROSS	H & N
BM302	47	131		IVECO GWB 387.30 SERIES	A

BM REF #	CAP Ø OR HOLE CTRS MM	SPAN OR HOLE CTRS MM	OPPOSITE SPAN MM	COMMENTS	JOINT TYPE
BM246	47	142		369.40 STEER AXLE 11MM OFFSET	H & N
BM822	47	140		KING LONG BUS - PLATE & BOLT TYPE	R
BM454	47	144		HINO - GUH68	R
BM118	47.6	135		1610 WELDED PLATES SPICER STYLE 5-279X FULL ROUND	D
BM206	47.6	135		1610 WELDED PLATES SPICER 5-279X FULL ROUND	D
BM121	47.6	135		1610 2 WELDED PLATES & 2 ROUND CAPS 5-438X SPICER	F
BM484	47.6	135		1610 2 WELDED PLATES & 2 ROUND CAPS 5-438X	F
BM851	47.6	135		1610 2 WELDED PLATES & 2 ROUND CAPS 5-423X	F
BM861	47.6	135		1610 2 WELDED PLATES & 2 ROUND CAPS 5-585X	F
BM282	47.6	135		1600 STANDARD / LOOSE PLATES GKN STYLE HS316	E
BM824	47.6	135.2		687.40 / 2040 TO KLEIN 490SRS COMBINATION	
	48	135.4		WITH LUBE	A
BM117	47.6	135.2		687.40 / 2040 GENUINE SPICER	A
BM678	47.6	135.2		687.40 / 2040 - ALTERNATIVE OF EUROPEAN ORIGIN	A
BM119	47.6	135.2		687.40 / 2040 - ALTERNATIVE OF NON EUROPEAN ORIGIN	A
BM357	47.6	135.2		687.40 / 2040 ORIGINAL SPICER NON LUBE (SFL)	A
BM795	47.6	135.2		687.40 / 2040 C/w SKF BRG CAPS OF EUROPEAN ORIGIN (SFL)	A
BM532	47.6	135.2		687.40 / 2040 - SKF MAINTENANCE FREE (SFL)	A
BM567	47.6	135.2		687.40 / 2040 GENUINE (HIGH TEMP)	A
BM622	47.6	135.2		687.40 / 2040 ORIGINAL SPICER 4 X END LUBE IN CAP	A
BM622A	47.6	135.2		687.40 / 2040 4 X END LUBE IN CAP	K
BM613	47.6	135.2	68X111	LOBRO REF U426 RENAULT	B
BM562	48	78 / 86		MERCEDES (86MM OUTER EDGES)	A
BM06	48	116.5		KLEIN 375 GENUINE / 587.20	A
BM163	48	116.5		587.20 ALTERNATIVE	A
BM163/1	48	116.5		587.20 INA CENTRE LUBE BRG CAPS	A
BM498	48	116.5		KLEIN 375 GEUNINE C/w SKF BRG CAPS DAF	A
BM650	48	116.5		GWB 587.20 ORIGINAL CENTRE LUBE	A
BM862	48	116.5		587.20 SRS C/w LUBE IN ALL 4 BRG CAPS	A
BM124	48	126		MERCEDES / INA BEARINGS	A
BM30	48	126		MERCEDES / INA BEARINGS / NON LUBE (SFL)	A
BM659	48	126		MERCEDES / ELBE C/w LUBE IN ALL 4 BRG CAPS	K
BM502	48	126	42.9X114.3	6C HIGH WING DRILLED 42.9X114.3 / 48X126MM COMBINATION	A
BM610	48	126		KEMPFF C/w SKF BRG CAPS - OIL BATH TYPE WITH THRU OILWAY	A
BM08/1	48	131		INA BEARINGS / CENTRE LUBE	A
BM824	47.6	135.2		687.40 / 2040 TO KLEIN 490SRS COMBINATION	
	48	135.4		WITH LUBE	A
BM125	48	135.4		KLEIN 490 ORIGINAL	A
BM497	48	135.4		KLEIN 490 GENUINE C/w SKF BRG CAPS	A
BM353	48	135.4		490 SRS ALTERNATIVE C/w INA BRG CAPS	A
BM358	48	135.4		KLEIN 490 NON LUBE (SFL)	I
BM17	48	161		P400 PREMIUM INA BEARINGS C/W BRKTS	I
BM17A	48	161		P400 / C/W BRACKETS ALTERNATIVE	I
BM477	48	161		P400 SFL MAINTENANCE FREE P400 / C/W BRKTS	I
BM731	48	161		P400 CENTRE LUBE / C/W THREADED BRKTS (M16X2)	I
BM764	48	161		P400 SFL C/W THREADED BRKTS (M16X2)	M
BM674	49	135		BONDIOLI BYPY 7.89	A
BM251	49.2	139		SPL140 SPICER GENUINE	J
BM203B	49.2	104.5		SPICER HIGH WING DRILLED SIDE LUBE	J
BM202	49.2	108.5		ROCKWELL (58WB) HIGH WING DRILLED	J

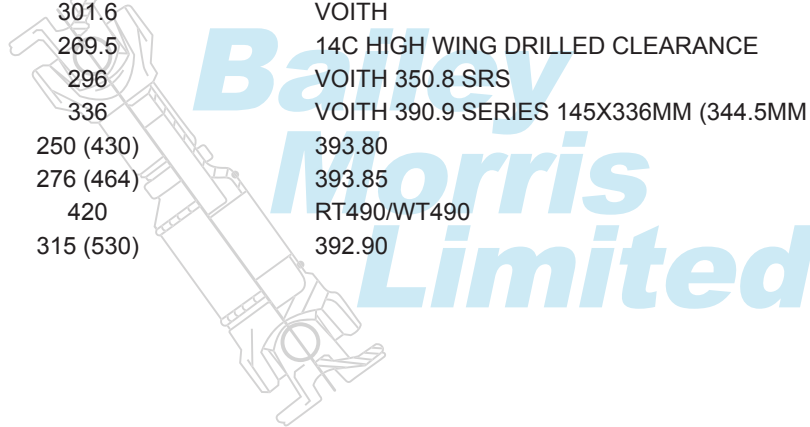
BM REF #	CAP Ø OR HOLE CTRS MM	SPAN OR HOLE CTRS MM	OPPOSITE SPAN MM	COMMENTS	JOINT TYPE
BM431	49.2	108.5		ROCKWELL (58WB) LOW WING THREADED	J
BM433	49.2	108.5		ROCKWELL (58WB) 4 X DELTA WING	J
BM688	49.2	108.5		ROCKWELL (58WB) 2 X DELTA WING / 2 X HIGH WING DRILLED	J
BM177	49.2	117.6		7C LOW WING THREADED	J
BM178A	49.2	117.6		7C HIGH WING DRILLED	J
BM178	49.2	117.6		7C 4 X HIGH WING DRILLED LUBE SPICER	J
BM585	49.2	117.6		7C 4 X HIGH WING DRILLED SFL SPICER	J
BM326	49.2	117.6		7C HIGH WING DRILLED / LOW WING THREADED COMBINATION	J
BM407	49.2	117.6	42.9X114.3	7C HIGH WING / 6C HIGH WING DRILLED ON OPPOSITE SPAN	J
BM848	49.2	117.6	47.6X135.2	687.40 / 2040 TO 7C 4 X HWD 49.2X117.6MM COMBINATION	K
BM637	49.2	117.6		7C 2 X HIGH WING DRILLED / 2 X DELTA WING DRILLED	A
BM559	49.2	150.8		STEER AXLE	F
BM05	49.2	154.7		1710 2 X PLATED & 2 ROUND CAPS 5-515X ORIGINAL SPICER	F
BM05A	49.2	154.7		1710 2 X PLATED & 2 ROUND CAPS 5-515X NEAPCO QSP	F
BM428	49.2	154.7		1710 ALTERNATIVE TO BM05 & BM05A 5-515X	A
BM127	49.2	154.7		687.50 / 2050SRS	A
BM127A	49.2	154.7		687.50 / 2050SRS	D
BM280	49.2	154.7		1710 SPICER GENUINE WELDED PLATES 5-280X	D
BM280A	49.2	154.7		1710 WELDED PLATES QSP SPICER STYLE 5-280X	D
BM281	49.2	154.7		1710 WELDED PLATES SPICER STYLE 5-280X	E
BM318	49.2	154.7		1700 STANDARD / LOOSE PLATES GKN STYLE HS317	F & J
BM204	49.2	154.7	71.4X123.8	8.5C HIGH WING DRILLED COMB 49.2X154.8MM 1710 SRS A & F	
BM565	49.2	154.7	68X128	1710 SRS COMBINATION / 68X129MM ON OPPOSITE SPAN	J
BM182	49.2	174.6		8C LOW WING THREADED	J
BM183	49.2	174.6		8C HIGH WING DRILLED	J
BM327	49.2	174.6		8C HIGH WING DRILLED / LOW WING THREADED COMBINATION	F
BM128	49.2	177.8		SPICER 1760SRS 2 WELDED PLATES & 2 HALF ROUND 5-469X	F
BM470	49.2	177.8		1760 ALTERNATIVE TO BM128 5-469X	D
BM129	49.2	177.8		SPICER 1760 SRS WELDED PLATES FULL ROUND STYLE	D
BM129A	49.2	177.8		1760 ALTERNATIVE TO BM129	D
BM130	49.2	191.8		SPICER 1810 WELDED PLATES STYLE HS344 / 5-281X	D
BM130A	49.2	191.8		1810 ALTERNATIVE TO BM130 HS344 / 5-281X	F
BM333	49.2	191.8		1810SRS 2 WELDED PLATES & 2 HALF ROUND 5-510X	F
BM333A	49.2	191.8		1810SRS 2 WELDED PLATES & 2 HALF ROUND 5-510X	K
BM474	49.2	191.8	71.4X168.4	9C HIGH WING DRILLED / 71.4X168.4MM / 49.3X191.8MM 1810 SRS	A
BM759	49.24	150.88		ROCKWELL CP850	A
BM133	50	131		MAN	G
BM134	50	152.6		VOLVO / NORDISKA NK400 PREMIUM INA BRGS	G
BM134A	50	152.6		VOLVO ALTERNATIVE TO BM134	A
BM132	50	153		85 SERIES	R
BM455	50	165		HINO	A
BM399	50	181		KOMATSU	A
BM293	50.8	156.6		VOLVO	A
BM410	52	129.6		MERCEDES UNIMOG KLEIN	A
BM08	52	133		KLEIN 495 GENUINE / 587.30	A
BM16	52	133		587.30 / INA BEARINGS	A

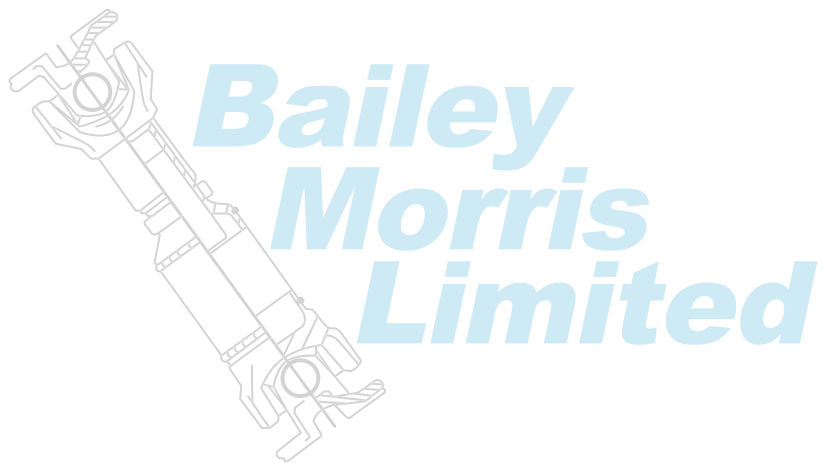
BM REF #	CAP Ø OR HOLE CTRS MM	SPAN OR HOLE CTRS MM	OPPOSITE SPAN MM	COMMENTS	JOINT TYPE
BM16A	52	133		587.30 / ALTERNATIVE	A
BM753	52	133		ORIGINAL GWB CENTRE LUBE	A
BM574	52	133		KLEIN NON LUBE (SFL)	A
BM135	52	147.2		KLEIN 590 GENUINE	A
BM319	52	147.2		KLEIN 590 SEALED FOR LIFE / DAF & MAN	A
BM319B	52	147.2		2045 (SFL) INA BEARINGS	A
BM319A	52	147.2		GWB 2045 (SFL)/ VOLVO & MAN	A
BM536	52	147.2		2045 (SFL) SKF BEARING CAPS	A
BM338	52	147.2		687.45 / INA BEARINGS	A
BM338A	52	147.2		687.45 / ALTERNATIVE	A
BM651	52	147.2		HIGH TEMPERATURE	R
BM468	52	147.2		LOW TEMPERATURE	A
BM813	52	153.85		mitsubishi - GUM83	R
BM814	52	171		mitsubishi - GUM96 C/W PLATES & BOLTS OE # MC998476	A
BM136	53	135		MERCEDES / INA BEARINGS	A
BM136A	53	135		MERCEDES	A
BM136/1	53	135		MERCEDES / SKF BEARINGS	A
BM33	53	135		MERC / NON LUBE (SFL)	A
BM537	53	135		SKF MAINTENANCE FREE (SFL)	A
BM568	53	135		LUBE IN ALL 4 BEARING CAPS	M
BM266	55	164		SPL170 SPICER GENUINE	M
BM266A	55	164		SPL170 SPICER	J & K
BM184	55.5	205.6	71.4X168.4	9C HIGH WING DRILLED COMB / 55.5X205.6MM 1880SRS	D
BM138	55.6	205.6		SPICER 1880 SRS 5-308X	J
BM727	56	140.2		DAEWOO & ISUZU MECHANICS LWT THREADED 12X1.25MM	A
BM141	57	144		KLEIN 605 GENUINE / 587.35	A
BM538	57	144		587.35 MAINTENANCE FREE (SFL)	A
BM619	57	144		LUBE IN ALL 4 INA BEARING CAPS	G
BM142	57	152		VOLVO / NORDISKA NK500 CENTRE PREMIUM INA BRGS	G
BM142A	57	152		VOLVO / NORDISKA NK500 ALTERNATIVE	A
BM143	57	152		KLEIN 620 GENUINE / 687.55	A
BM539	57	152		SKF BEARINGS (SFL) MAINTENANCE FREE	A
BM602	57	152		2055 SRS C/W LUBE IN ALL 4 OFF BRG CAPS	A
BM715	57	152		KEMPF 1000.1096.955 WITH CTR LUBE & LUBE IN 4 BRG CAPS	A
BM144	57	152		587.42 INA BEARINGS	A
BM144/1	57	152		587.42 / 2055 INA BEARINGS	A
BM144A	57	152		587.42 ALTERNATIVE U763	G
BM220	57	152		VOLVO / NORDISKA NK500/NK600 PREMIUM NON LUBE (SFL)	A
BM262	57	152		KLEIN 620 GENUINE / 687.55 SFL MAINTENANCE FREE (SFL)	A
BM262A	57	152		GWB GENUINE 687.55 SFL MAINTENANCE FREE (SFL)	A
BM262B	57	152		INA BEARING CAPS MAINTENANCE FREE (SFL)	A
BM714	57	152		KEMPF 1000.1096.950 C/w SKF BRG CAPS	I
BM467	57	152		LOW TEMPERATURE	A
BM140	57	164		SCANIA PREMIUM P500 / INA BRGS C/W BRKTS	I
BM140A	57	164		SCANIA P500 / C/W BRKTS	I & A
BM397	57	164	57X152	SCANIA P500 / 57X152MM 587.42 COMB ON OPPOSITE SPAN	I
BM478	57	164		SCANIA MAINTENANCE FREE SFL P500 / C/W BRKTS	I
				INA BRGS	I
BM705	57	164		SCANIA P500 / INA BEARINGS C/W THREADED BRKTS M16X2 I	I
BM765	57	164		INA BRG CAPS P500 C/W THREADED BRKT HOLES M16X2 (SFL) I	I
BM757	57	164		SKF BRG CAPS CENTRE LUBE P500 / C/W BRKTS	A
BM145	57	172		KLEIN 680 LUBE TYPE / IVECO & DAF	A

BM REF #	CAP Ø OR HOLE CTRS MM	SPAN OR HOLE CTRS MM	OPPOSITE SPAN MM	COMMENTS	JOINT TYPE
BM145A	57	172		KLEIN 680 LUBE TYPE / IVECO & DAF - ALTERNATIVE	A
BM424	57	172		KLEIN 680 NON LUBE TYPE / IVECO & DAF	R
BM456	58	175		HINO	E
BM146	59	167.5		1800 STANDARD / LOOSE PLATES GKN STYLE HS324	A
BM147	59	167.7		GWB SPICER 687.60 C/w LUBE	A
BM237	59	167.7		687.60 ALTERNATIVE C/w LUBE	A
BM238	59	167.7		GWB SPICER 687.60 (SFL) VOLVO MAINTENANCE FREE	A
BM238A	59	167.7		687.60 ALTERNATIVE (SFL) / MAINTENANCE FREE	K
BM348	59	167	79X137	2060 / 687.60 MECHANICS COMB RENAULT / 79X137MM	J
BM430	60	105.2		FURUKAWA	J
BM233	60	146		4 X HWD SIGE	A
BM631	60	155		HINO	M
BM267	60	163		SPL250 SPICER GENUINE	M
BM267A	60	163		SPL250 SPICER ALTERNATIVE	J
BM429	60.1	159		4 X LOW WING THREADED	J
BM590	62	125.2		J170 4 X HIGH WING DRILLED	A
BM785	63.5	196.24		CP950 SRS CENTRE LUBE	L
BM149	65	143		GWB 190.50 SRS	A
BM148	65	172		KLEIN 700 GENUINE / 687.65 & 587.48	A
BM548	65	172		587.48/700SRS / P600 SCANIA COMBINATION	A
BM268	65	172		KLEIN 700 GENUINE / 687.65 & 587.48 NON LUBE (SFL)	A
BM685	65	172		687.55 / 2065 SRS C/w INA BRG CAPS	A
BM778	65	172		687.55 / 2065 SPICER CENTRE LUBE	A
BM640	65	172		GWB LUBE POINT IN ALL 4 BRG CAPS	A
BM709	65	172		HIGH TEMP 60- 140 DEG CENT FOR RAIL APPLICATIONS	A
BM717	65	172		KEMPF 1000.1100.950 C/w SKF BRG CAPS	A
BM227	65	190		SCANIA P600 / INA BEARINGS C/W BRKTS	A
BM227A	65	190		SCANIA P600 / C/W BRKTS / ALTERNATIVE	A
BM447	65	190		SCANIA P600 / INA BEARINGS C/W BRKTS	A
BM544	65	190		SKF MAINTENANCE FREE (SFL) SCANIA P600	L
BM738	65	235		GWB 292.50 TUNNEL TYPE C/w HOLE IN BODY - 2 X LATERAL LUBE	B
BM150	68	89		MERCEDES ACTROS INA BEARING CAPS	B
BM150A	68	89		MERCEDES	B
BM686	68	89		SKF BRG CAPS	B
BM75	68	89		MERCEDES ACTROS NON LUBE (SFL)	B
BM409	68	117		MERCEDES ACTROS MAINTENANCE FREE (SFL)	B
BM655	70	168		210M108 HIGH WING DRILLED	J
BM181	71.4	123.8		8.5C HIGH WING DRILLED	J
BM181A	71.4	123.8		8.5C HIGH WING DRILLED ALTERNATIVE	J
BM181C	71.4	123.8		8.5C HIGH WING DRILLED ROCKFORD	J
BM395	71.4	123.8		8.5C LOW WING DRILLED	J
BM180	71.4	123.8		8.5C LOW WING THREADED	J
BM328	71.4	123.8		8.5C HIGH WING DRILLED / LOW WING COMBINATION	J
BM481	71.4	123.8		8.5C HIGH WING DRILLED NON LUBE SPICER (SFL)	J
BM481A	71.4	123.8		8.5C HIGH WING DRILLED NON LUBE (SFL)	J
BM185	71.4	168.4		9C LOW WING THREADED	J
BM186	71.4	168.4		9C HIGH WING DRILLED ALTERNATIVE	J
BM186/1	71.4	168.4		9C HIGH WING DRILLED SPICER	J
BM654	71.4	168.4		9C HIGH WING DRILLED SPICER (SFL)	J
BM654A	71.4	168.4		9C HIGH WING DRILLED (SFL)	J
BM270	71.4	168.4		9C TWIN DISC HIGH WING DRILLED	J

BM REF #	CAP Ø OR HOLE CTRS MM	SPAN OR HOLE CTRS MM	OPPOSITE SPAN MM	COMMENTS	JOINT TYPE
BM329	71.4	168.4		9C HIGH WING DRILLED / LOW WING COMBINATION	A
BM349	71.4	223		1900 SRS	J
BM730	72	138		S990 SRS SPICER ITALCARDANO HIGH WING DRILLED	A
BM151	72	185		GWB 587.50	A
BM151/A	72	185		ALTERNATIVE 587.50	A
BM541	72	185		587.50 C/w LUBE IN ALL 4 BRG CAPS	L
BM274	74	129 (222)		292.50 / 392.50 CTR LUBE & 4 POINT END LUBE	L
BM396	74	129 (222)		292.50 / 392.50 CTR LUBE - HIGH TEMP	L
BM153	74	154 (244)		190.55 LUBE IN ALL 4 BEARING CAPS	A
BM758	74	171		C/w LUBE IN ALL 4 BRG CAPS	A
BM442	74	179.9		EQUIVALENT TO KEMPF (VOITH S250.5) 4 X END LUBE	A
BM718	74	185		CENTRE LUBE & END LUBE IN ALL BRG CAPS	A
BM505	74	195		KEMPF 1000.1105.950	A
BM505IB	74	195		END LUBE IN ALL BRG CAPS	A
BM152	74	217		587.55 SRS LUBE IN ALL 4 BRG CAPS	D
BM639	77.8	255.1		1950 "DANA" ALTERNATIVE	J
BM461	82	198		HIGH WING DRILLED 82X198MM 246M210	L
BM154IB	83	129 (235.8)		390.60 4 X END LUBE IN BRG CAP	L
BM298	83	139 (246)		292.55 / 392.55	L
BM298A	83	139 (246)		292.55 / 392.55 ALTERNATIVE	L
BM298IB	83	139 (246)		292.55 / 392.55 INA BRG CAPS 4 POINT LUBE	L
BM155	83	175 (280)		190.60	L
BM155A	83	175 (280)		190.60 ALTERNATIVE	A
BM722	83	179.9		CENTRE LUBE & END LUBE IN ALL BRG CAPS	A
BM719	83	195		CENTRE LUBE & END LUBE IN ALL BRG CAPS	A
BM720	83	217		INA BRG CAPS 4 X END LUBE & CTR LUBE	A
BM377IB	83	220		INA BRG CAPS 4 X END LUBE & CTR LUBE	A
BM377	83	220		VOITH S285.5 / KEMPF	A
BM323	83	231.4		587.60	J
BM189	88.9	172.7		SPICER J490 HIGH WING DRILLED C/w 5/8" BOLT HOLES	J
BM235	88.9	172.7		SPICER 11C HIGH WING DRILLED C/w 3/4" BOLT HOLES	J
BM309	88.9	172.7		J600 / 11C (DOUBLE ROLLER) ALT TO BM235 4 X LUBE	J
BM614	88.9	172.7		10C / 10.5C (COMB) 4 X HIGH WING DRILLED 5/8" BOLT HOLES	J
BM392	92	227		12.5C HIGH WING DRILLED	J
BM411	92	241.3		12C HIGH WING DRILLED	J
BM188	92.1	165.1		10C HIGH WING DRILLED	J
BM188/1	92.1	165.1		10C HIGH WING DRILLED SPICER	J
BM706	92.1	165.1		10C HIGH WING DRILLED SPICER SFL	J
BM812	92.1	165.1		10C 4 X HIGH WING DRILLED SPICER HOLES 15MM -	J
BM335	92.1	165.1		10C HIGH WING DRILLED ROCKFORD	L
BM863	92.1	165.1		10C LOW WING DRILLED	L
BM156	95	139 (258.8)		390.65 LUBE IN 4 X LUBE IN BRG CAPS	L
BM609	95	139 (258.8)		390.65 SIDE LUBE	L
BM306	95	160 (279.6)		292.60 / 392.60	L
BM157	95	190 (308)		190.65	A
BM723	95	219		VOITH MT285.8 CENTRE & 4 X END LUBE IN BRG CAPS	A
BM419	95	250		KEMPF & VOITH W285 / S315 CTR LUBE & 4 POINT END LUBE	A
BM419IB	95	250		KEMPF & VOITH 285 / S315 - INA BRGS	J
BM307	100	200		15C 4 X HIGH WING DRILLED SPICER 3/4" X 16UNF	J
BM307/1	100	200		15C 4 X HIGH WING DRILLED ROCKFORD M20X2.5	J
BM307/2	100	200		15C 4 X HIGH WING DRILLED ROCKFORD W/o BOLTS	J

BM REF #	CAP Ø OR HOLE CTRS MM	SPAN OR HOLE CTRS MM	OPPOSITE SPAN MM	COMMENTS	JOINT TYPE
BM660	100	200		15C 4X HIGH WING DRILLED (SFL)NON LUBE ROCKFORD	J
BM790	100	200		15.5C 4 X HIGH WING DRILLED ROCKFORD W/o BOLTS	J
BM462	107	252		14.5C SPICER HIGH WING DRILLED	J
BM871	107	252		14.5C SPICER 4X HIGH WING DRILLED LUBE	J
BM279	110	160 (293.4)		390.70	L
BM231	110	176 (309.6)		292.65 / 392.65	L
BM158	110	210 (340)		190.70	A
BM783	110	245		VOITH S315.8 LUBE IN BRG CAPS	A
BM724	110	251.5		VOITH W285.8	A
BM378	110	275		VOITH ST350.9 CTR LUBE & 4 POINT END LUBE	J
BM791	117.6	277		15.5C 4 X HIGH WING DRILLED ROCKFORD	L
BM159	120	176 (325.2)		390.75	L
BM216	120	235 (379)		190.75	L
BM160	130	196 (363.2)		390.80	L
BM334	130	216 (383.4)		392.75	L
BM278	130	262 (425)		190.80	A
BM779	130	269		315.80	A
BM201	130	301.6		VOITH	J
BM487	134.88	269.5		14C HIGH WING DRILLED CLEARANCE	A
BM797	145	296		VOITH 350.8 SRS	A
BM503	145	336		VOITH 390.9 SERIES 145X336MM (344.5MM OVER CIRCLIPS)	L
BM401	154	250 (430)		393.80	L
BM402	170	276 (464)		393.85	A
BM805	188	420		RT490/WT490	L
BM400	195	315 (530)		392.90	L





CENTRE BEARINGS BY APPLICATIONS AND DIMENSION C/W PICTURES



BM REF #	D2	L3	MM	PIC #	VEHICLE	COMMENTS / APPLICATION
BMCB133	25	75	12	39	VOLVO	V70 CAR
BMCB207	25	111	12	111	MERCEDES	E190 MERC REF 201.410.0581
BMCB172	25	118	12	90	MERCEDES	MERC REF 124.410.0181
BMCB146	25	163	15	59	MAZDA	B2000/B2200 4X2 - P030-25-310
BMCB278	25	165	15	149	KIA	SPORTAGE
BMCB264	25	170	12	150	HONDA	HONDA CRV 1996 - 2000 OE # 40520-S10-000
BMCB253	25	208	12	112	MERCEDES	£23.48
BMCB156	28	163	13	59&64	MAZDA	B2200 AUTO / B2600 4X2 (86-93)
BMCB283	28	180	13	164	HYUNDAI	SANTE FE O.E. REF # 49575-2E000
BMCB167	28	168	16	168	KIA	SORRENTO
BMCB205	28	181	15	127	MAZDA &	FORD RANGER 14X30MM SLOTTED HOLES
BMCB243	30	45	15	132	SSANGYONG	MUSSO SPORTS M12X1.25MM H=96.5MM
BMCB238	30	45	16	135	SSANGYONG	KYRON M12X1.25MM H=105MM
BMCB239	30	45	15	135	SSANGYONG	ACTYON M12X1.25MM H=99MM
BMCB240	30	45	16	134	SSANGYONG	ACTYON SPORTS M12X1.25MM H=73MM
BMCB241	30	45	16	132	SSANGYONG	MUSSO / KORANDO M12X1.25MM H=119MM
BMCB242	30	47	16	135	SSANGYONG	REXTON M12X1.25 H=80MM
BMCB155	30	58	12	50	VOLVO	S70 / V70 CAR
BMCB323	30	58	13	174	FORD	KUGA
BMCB198	30	68	20	107	VW	TOUAREG / CAYENNE O.E.GENUINE
BMCB198A	30	68	19	107	VW	TOUAREG / CAYENNE AFM
BMCB131	30	76	13	36	VARIOUS	KIT CAR APPLICATIONS - OFFSET BRG
BMCB12	30	76	13	85	JAGUAR	JAGUAR
BMCB226	30	82	15	160		FREELANDER
BMCB211	30	93	16	139	VOLVO	V70 4X4 AWD - OFF SET HOLES
BMCB315	30	94	16	87	ISUZU	D-MAX OE REF # 8-97942-877-0
BMCB125	30	94	16	100	ISUZU	D-MAX
BMCB201	30	96	13	105	VAUXHALL	OMEGA & SENATOR
BMCB202	30	96	13	106	VAUXHALL	OMEGA
BMCB113	30	100	14	3	MERCEDES	ML270 c/w BRKT
BMCB113A	30	100	14	3	MERCEDES	ML270 c/w BRKT AFM
BMCB10	30	110	12	47	BEDFORD	CF
BMCB659	30	113	15	108	AUDI	QUATRO
BMCB279	30	118	13	159	VOLVO	XC70 OE REF # 5114102081
BMCB174	30	120	13	92	MERCEDES	MERC REF 126.410.0181
BMCB661	30	125	12	123	TOYOTA	DYNA OE# 37230-36060
BMCB175	30	125	12	93	MERCEDES	MERC REF 115.410.4481
BMCB210	30	125	13	100	MERCEDES	MERCEDES SL O.E.REF # 129.410.0381
BMCB225	30	130	13	114	BMW	X5 O.E REF 26121229726
BMCB254	30	130	13	8	CHRYSLER	GRAND VOYAGER

BM REF #	D2	L3	MM	PIC #	VEHICLE	COMMENTS / APPLICATION
BMCB212	30	130	15	115	RENAULT	KANGOO C/w PLASTIC COVER & SEAL
BMCB212A	30	130	15	115	RENAULT	KANGOO
BMCB162	30	130	13	44	BMW	730I & 740I
BMCB189	30	130	15	143	R.R. SPORT	TVB500390 / TVB500400 H=65MM
BMCB184	30	130	15	143	L.R. DISCO	DISCOVERY 3 ORIGINAL TVB500360 H=60MM
BMCB184A	30	130	15	116	L.R. DISCO	DISCOVERY 3 AFM
BMCB221	30	130	15	108	AUDI	A8 OE # 4D0-521-113
BMCB171	30	131	12	89	MERCEDES	MERC REF 123.410.1081
BMCB222	30	131	15	136	AUDI	OE # 8A0-521-113A
BMCB215	30	132	13	144	RENAULT	SCENIC
BMCB237	30	133	88	124	FIAT	OLD PANDA 46407936
BMCB214	30	133	15	137	AUDI	QUATRO OE # 8A0-521-113A
BMCB08	30	135	12	49	VW	LT 13235
BMCB230	30	135	13	120	BMW	OE # 4D0-521-113
BMCB96	30	138	15	8	FREELANDER	(WITH EXTENDED SHROUD)
BMCB96/1	30	138	15	8	FREELANDER	(WITH EXTENDED SHROUD) ORIGINAL
BMCB96/2A	30	138	15	133	FREELANDER	c/w STRENGTHENING BLOCKS TOQ000060
BMCB216	30	138	15	8	LTI	LONDON TAXI
BMCB217	30	138	15	113	FIAT	PANDA 4X4
BMCB163	30	140	12	44	BMW	
BMCB61	30	140	13	43	FORD	TRANSIT OLD STYLE ROUND TYPE
BMCB11	30	144	10	88	MARINA	TOLEDO & DOLOMITE (3180-3001) 3TH8019
BMCB57	30	144	13	1	FORD	TRANSIT (99VB4826AB - YCIW4826BC)
BMCB57A	30	144	13	1	FORD	O.E. TRANSIT (99VB4826AB/YCIW4826BC)
BMCB127	30	144	16	5	HYUNDAI	MR165252
BMCB150	30	147	13	69	TOYOTA	LUCIDA 37230-35030
BMCB120	30	148	12	100	MERCEDES	VITO 6394100081 ORIGINAL
BMCB120A	30	148	12	100	MERCEDES	VITO 6394100081 AFM
BMCB121	30	148	12	97	MERCEDES	VITO 6394100281 ORIGINAL
BMCB121A	30	148	12	97	MERCEDES	VITO 6394100281 AFM
BMCB332/1	30	148	13		MERCEDES	VITO OE REF OEM A447.410.3300
BMCB332	30	148	13		MERCEDES	VITO OE REF AFM A447.410.3300
BMCB285	30	148	15.5	157	VW	TRANSPORTER T5 (LOW BOW)
BMCB97	30	150	12	71	TOYOTA	HI-ACE 37230-26020
BMCB143	30	148	12	69	TOYOTA	4X2 (84-95) 37230-35070
BMCB149	30	149	10	74	FORD	RANGER / MAZDA
BMCB316	30	150	10		TOYOTA	HILUX 30X150X10MM - 37230-0K050
BMCB138	30	150	12	38	NISSAN	37521-33G25
BMCB168	30	150	13	41	FORD	SIERRA / SCORPIO (83BG4K080AA)
BMCB139	30	150	13	63	TOYOTA	4X4 (90+) 37230-35090 D/LIP SEAL
BMCB187	30	150	13	62	TOYOTA	HILUX (4X4 1997+) 37230-35130
BMCB222	30	153	15	34	AUDI	A4 OE # 8D0-521-113A
BMCB223	30	153	15	34	AUDI	A4 OE # 8D0-521-113
BMCB234	30	154	19	131	AUDI	Q7 3.0L TDI - ORIGINAL H = 60MM
BMCB234A	30	154	19	131	AUDI	Q7 - AFM H = 60MM
BMCB58	30	156	19	128	MERCEDES	609D / 709D O.E. # 301.410.0010
BMCB229	30	159	16	4	MITSUBISHI	L200 C/W MOUNTING BLOCKS
BMCB204	30	160	13	162	BMW	O.E. REF # 26121229492 / 26127501257
BMCB179	30	160	13		BMW	Z4 O.E REF # 26121226731
BMCB321	30	160	13	176	PORSCHE	PANAMERA O.E. # 970 421 01153
BMCB330	30	160	15		RANGE ROVER	SPORT L322 OE # TVB500400
BMCB233	30	160	16	148	MITSUBISHI	L200 YR 2005 +
BMCB244	30	160	16	71	SSANGYONG	RODIUS 30X160X16MM H=61MM

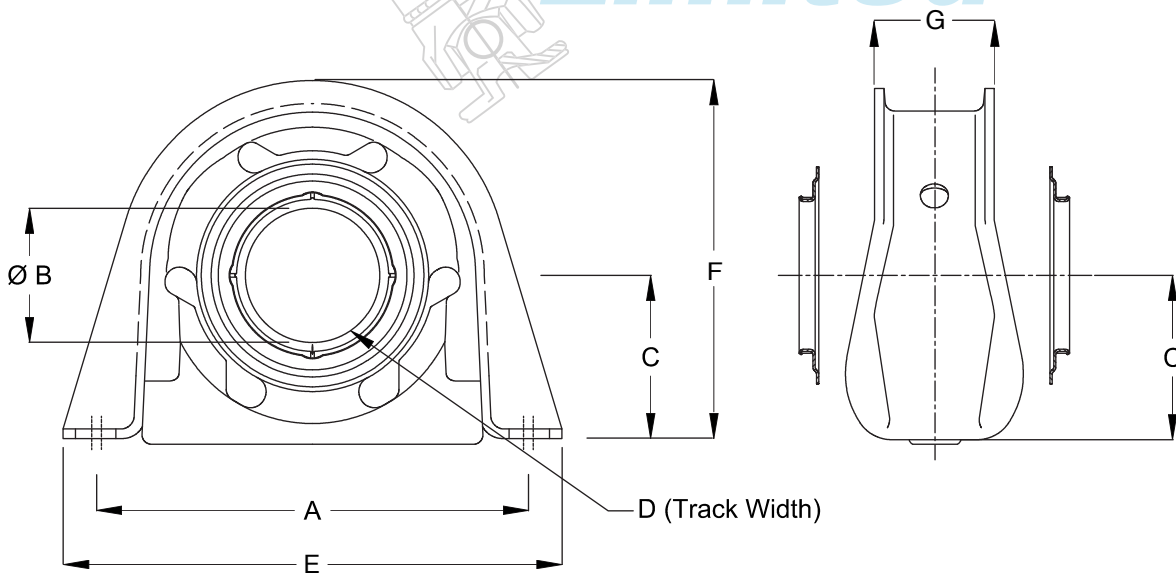
BM REF #	D2	L3	MM	PIC #	VEHICLE	COMMENTS / APPLICATION
BMCB112	30	161.5	16	4	MITSUBISHI	L200 - MB154199/000815
BMCB286	30	162	15.5	173	VW	TRANSPORTER T5 (HIGH BOW)
BMCB142	30	162	13	68	TOYOTA	CRESSIDA (78-5/85) 37230-22042
BMCB140	30	163	16	67	MITSUBISHI	& DODGE D50 PICKUP 4X2
BMCB262	30	164	16	151	LAND ROVER	H=47MM
BMCB246	30	165	13	130	LEXUS	OE # 37230-49015
BMCB293	30	168	14	172	IVECO	DAILY O.E. # 42569349
BMCB293A	30	168	14	172	IVECO	DAILY O.E. # 42569349 AFM
BMCB290	30	168	15	161	VW	AMAROK
BMCB261	30	168	16		LAND ROVER	ALLOY HOUSING H=57MM
BMCB157	30	170	12	75	JAGUAR	XJ350 3180-3017 ORIGINAL
BMCB157A	30	170	12	75	JAGUAR	XJ350 3180-3017 AFM
BMCB218	30	171.4	15	138	KIA	SORENTO 2WD AUTO
BMCB245	30	173.5	13	129	LEXUS	OE# 37230-29015
BMCB235	30	175	15	126	SUBARU	IMPREZA O.E # 27037-AK010
BMCB160	30	174	16	46	SUBARU	SUBARU
BMCB177	30	175	15.5	99	FORD	MAVERICK (AUTO) 212165-1X - ORIGINAL
BMCB178	30	175	15.5	99	FORD	MAVERICK (MANUAL) - ORIGINAL
BMCB73	30	176	13		DACIA	DUSTER
BMCB307	30	178	10		HUUNDAI	SANTE FE (INC BOOT)
BMCB152	30	178	16	34	AUDI	QUATTRO 2.8 V6
BMCB336	30	179	13		SUBARU	SUBARU IMPREZA H=60MM
BMCB274	30	180	13	169	HYUNDAI	SANTE FE
BMCB297	30	184	13		TOYOTA	RAV4 OE.E. # 37230-29025
BMCB151	30	187	15	33	AUDI	QUATTRO (MULTIPLE APPLICATIONS)
BMCB148	30	190	15	37	DODGE	& MITSUBISHI (3000GT / GALANT AWD)
BMCB273	30	191	13	152	CHEVY	CAPTIVA / VAUXHALL ANTARA
BMCB320	30	192	15		AUDI	Q7 O.E.# 4M0521101Q
BMCB292	30	201	15.5		LANDROVER	DISCOVERY FAG BEARING (OFFSET HOLES)
BMCB322	30	205	13	166	MERCEDES	VITO O.E. # 477 410 0600 (30X265X13)
BMCB203	30	208	12	112	MERCEDES	E300 210.410.1681 SLOTTED HOLES
BMCB280	30	220	13		ALFA	BRERA FRONT
BMCB281	30	220	13		ALFA	BRERA REAR
BMCB247	30	227	16	110	AUDI	VARIOUS QUATTRO APPLICATIONS
BMCB248	30	229	16	153	AUDI	VARIOUS
BMCB326	30	237	15		VAUXHALL	MOKKA
BMCB249	30	238	16	145	AUDI	VARIOUS
BMCB71	30	230	10	10	TOYOTA	HILUX (4X4 79-88) 37230-35080
BMCB660	30	241	16	110	AUDI	A6 4WD 4B0-521-113
BMCB263	30	252	15	154	AUDI	AUDI QUATTRO BHC=230MM TO 277MM
BMCB324	30	268	13		VAUXHALL	INSIGNIA 4 X 4 REAR O.E. # 13309769
BMCB325	30	320	13		VAUXHALL	INSIGNIA 4 X 4 FRONT
BMCB250	30	400	15	146	VW	TIGUAN ORIGINAL 2153124300
BMCB250A	30	410	15	146	VW	TIGUAN FM
BMCB137	30	N/A	16	57	NISSAN	37521-57G26 (37521-57G25)
BMCB141	30	N/A	13	56	NISSAN	37521-W1025
BMCB145	30	N/A	14	56	NISSAN	37521-W1027 QASHQAI
BMCB169	31.75	150	25	96	VARIOUS	DANA (211431X)
BMCB267	32	N/A	20	140	ISUZU	NKR 9-37516006-0
BMCB270	32	148	13	142	MERCEDES	VITO V6 REAR BRG
BMCB270A	32	148	13	142	MERCEDES	VITO V6 REAR BRG AFM
BMCB291	32	148	13		MERCEDES	VITO "D" SHAPE
BMCB291A	32	148	13		MERCEDES	VITO "D" SHAPE AFM

BM REF #	D2	L3	MM	PIC #	VEHICLE	COMMENTS / APPLICATION
BMCB224	35	76	14	118	36	KIT CAR APPLICATIONS 7MM OFF SET BRG
BMCB147	35	80	13	15	VOLVO	740/760 CAR (1983-1992)
BMCB154	35	100	35	60	FORD	TRACTOR
BMCB272	35	135	13		VW	TOUAREG
BMCB195	35	144	14	1	FORD	TRANSIT 8C114826AA
BMCB195/1	35	144	14	1	FORD	TRANSIT 8C114826AA O.E. SPEC
BMCB04	35	155	20	7	MERCEDES	608D MERCEDES OE # 310.410.0822
BMCB300	35	160	13	163	BMW	1 SRS & 3 SRS OE REF # 26127526632
BMCB301	35	160	14		BMW	OE REF # 26127521856
BMCB275	35	160	18		LAND ROVER	OE REF # TOQ000050
BMCB05	35	160	20	101	MERCEDES	709D ROUND
BMCB266	35	163	14	141	FORD	RANGER OE # SA12-25-300
BMCB56	35	168	17	51	IVECO	IVECO DAILY / MITSUBISHI
BMCB60	35	168	22	6	IVECO	DAILY DANA OE (211579-1X) ORIGINAL
BMCB14	35	168	25	18	VARIOUS	LIGHT COMMERCIAL / 1310 SRS 3580-3501
BMCB46	35	170	22	119	CHEVROLET	& GMC
BMCB260	35	180	14	127	FORD	RANGER 3 & MAZDA 1330 SRS - ORIGINAL
BMCB260A	35	180	14	127	FORD	RANGER 3 & MAZDA
BMCB302	35	227	15		AUDI	RS6 QUATTRO 4X4
BMCB124	40	157.4	18	11	ISUZU	NPR
BMCB124/1	40	N/A	18	140	ISUZU	NPR LESS OUTER BRKT OE # 5-37516005-0
BMCB15	40	168	18	18	BEDFORD	VARIOUS
BMCB64	40	168	18	20	IVECO	2025 / 687.25SRS 211446X
BMCB294	40	168	18	171	IVECO	DAILY O.E. # 42569357
BMCB83	40	168	22	2	IVECO	DAILY 211793-1X
BMCB91	40	168	22	32	IVECO	DAILY O.E. 211926-2X C/w SHROUD
BMCB91A	40	168	32		IVECO	DAILY 211926-2X C/w SHROUD AFM
BMCB91B	40	168	32		IVECO	DAILY 211926-2X C/w SHROUD AFM
BMCB17	40	168	27	18	DAF	1410, 1480 & 1510 SRS 5180-4001
BMCB17/1	40	168	27	18	DAF	O.E. 1410, 1480 & 1510 SRS 212139-1X SPICER
BMCB123	40	168	27	18	JCB	SOLID RUBBER 211605-1X
BMCB232	40	168	27	121		1410, 1480 & 1510 SRS WITH GREASER
BMCB65C	40	168	119		DODGE	
BMCB166	40	168	22	86	FORD	& CHEVROLET 1350
BMCB02	45	80	16	15	LDV	FREIGHT ROVER 3180-4501 C/W FLINGERS
BMCB19	45	144	16	45	FORD	TRANSIT 3180-4511
BMCB119	45	158	19	11	ISUZU	AFM 4 X SLOTTED BOLT HOLES 36X19MM
BMCB132	45	158	19	11	ISUZU	O.E. 4 X SLOTTED BOLT HOLES 36X19MM
BMCB41	45	160	19	22	MERCEDES	ATEGO / U SHAPE BRACKET
BMCB306	45	168	16	165	RENAULT	MASTER OE # 375252191R (SQ MTG HOLES)
BMCB20	45	168	19	9	IVECO	RUBBER SLIP MID TYPE
BMCB20/1	45	168	19	9	IVECO	O.E. RUBBER SLIP MID TYPE ORIGINAL
BMCB116	45	168	19	20	DAF	& RENAULT O.E. 2020SRS (c/w SERVICE KIT)
BMCB228	45	168	19	147	RENAULT	MASTER O.E. # 37525191R
BMCB07	45	190	23	21	MERCEDES	811/814 ROUND
BMCB22	45	194	19	18	FORD	IVECO & LEYLAND 6380-4501
BMCB59	45	194	19	13	MERCEDES	SPRINTER / EARLY TYPE
BMCB134	45	194	19	14	VOLVO	NK300 / SOLID RUBBER W/o LUBE
BMCB21	45	194	27	18	JCB	& LEYLAND HARD RUBBER TYPE PAK3403
BMCB93	45	194	27	54	LEYLAND	TWIN LUBE 6080-4512
BMCB01	45	194	27	18	LEYLAND	STANDARD 1610 SRS 6080-4501
BMCB01/1	45	194	27	18	VARIOUS	O.E. SPICER 1610 SRS 210084-2X
BMCB258	45	194	18		VARIOUS	CAST BRACKET - KEMPF H=80MM

BM REF #	D2	L3	MM	PIC #	VEHICLE	COMMENTS / APPLICATION
BMCB03	45	195	19	12	MERCEDES	207,208, 307,308 & 410
BMCB25	45	200	19	51	MAN	SOLID RUBBER
BMCB196	47	194	21	109	MERCEDES	SPRINTER 906.410.1881 O.E. SLIP MID H=73MM
BMCB196A	47	194	21	109	MERCEDES	SPRINTER 906.410.1881 AFM H=73MM
BMCB196B	47	194	21	109	MERCEDES	SPRINTER 906.410.1881 AFM H=68MM
BMCB196C	47	194	21	109	MERCEDES	SPRINTER 906.410.1881 AFM H=68MM C/w FAG BRG
BMCB196D	47	194	21	109	MERCEDES	SPRINTER 906.410.1881 AFM H=73MM
BMCB197	47	194	21	109	MERCEDES	SPRINTER 906.410.0181/0381 O.E. SLIP MID H=68MM
BMCB197A	47	194	21	109	MERCEDES	SPRINTER 906.410.0181/0381 AFM H=68MM
BMCB197B	47	194	21	109	MERCEDES	SPRINTER 906.410.0181/0381 AFM H=68MM
BMCB268	47	194	21	109	MERCEDES	SPRINTER 906.410.1081 O.E MID SHAFTS H=68MM
BMCB268A	47	194	21	109	MERCEDES	SPRINTER 906.410.1081 AFM H=68MM
BMCB268B	47	194	21	109	MERCEDES	SPRINTER 906.410.1081 AFM H=68MM
BMCB269	47	194	21	109	MERCEDES	SPRINTER 906.410.1381 O.E MID SHAFTS H=73MM
BMCB269A	47	194	21	109	MERCEDES	SPRINTER 906.410.1381 AFM H=73MM
BMCB287	59.2	111 X 111	167	58.7	CNH	SQUARE BLOCK BEARING
BMCB27	50	194	30	18	DAF	& LEYLAND 1710 7080-5001
BMCB27/1	50	194	30	18	DAF	& LEYLAND 1710 210121-1XE SPICER
BMCB82	50	194	30	76	DAF	& LEYLAND 1710/SPL140 SOLID RUBBER
BMCB220	50	194	18	18	DAEWOO	& VARIOUS APPLICATIONS
BMCB144	50	N/A	19	58	NISSAN	37510-Z2002/4
BMCB69	55	168	18	16	IVECO	2025 / 687.25 SRS SLIP MID TYPE
BMCB63	55	168	-	55		KEMPF (CAST BRKT)
BMCB99	55	190	23	22	MERCEDES	U-SHAPE - MAY NEED A9734110052 SPACER
BMCB30	55	190	25	21	MERCEDES	ROUND
BMCB32	55	193.5	18	18	IVECO	2040 / 687.40 SRS AFM
BMCB67	55	193.5	18	14	IVECO	O.E. 2040 / 687.40 SRS 15X15MM HOLES
BMCB122	55	193.5	18	73	DAF	& RENAULT O.E. SPICER
BMCB176	55	193.5	22	94	DAF / AVIA	O.E. SPICER PEP 4 C/W INT SERVICE KIT
BMCB176/1	55	193.5	22	103	DAF	O.E. SPICER PEP 4 LESS SERVICE KIT
BMCB153	55	194	18	52	RENAULT	O.E # 5000816925
BMCB180	55	200	18	77	IVECO	O.E. 2040SRS SLOTTED RUBBER H = 75MM
BMCB34A	55	200	18	52	DAF	2040SRS SOLID RUBBER & LUBE 2040.8055
BMCB34	55	200	18	52	DAF	REPLACED BY BMCB80
BMCB80	55	200	18	77	VOLVO	O.E. SLOTTED RUBBER/SLOTTED HOLES
BMCB128	55	200	18	77	VOLVO	O.E. 15X30MM SLOTTED HOLES C/w SEALS
BMCB33	55	200	36	79	FORD	IVECO & MAN
BMCB33A	55	200	36	79	FORD	IVECO & MAN - AFM
BMCB193	55	220	22	104	IVECO	2040 / 687.40 SRS NEW STYLE
BMCB95	60	180	18	61		MECHANICS 7C (TO SUIT ICUG)
BMCB90	60	190	22	22	MERCEDES	U-SHAPE - MAY NEED A6544110052
BMCB65	60	194	18	16	IVECO	O.E. 687.30 SLIP MID TYPE
BMCB65B	60	194	18	16	IVECO	687.30 SLIP MID TYPE AFM
BMCB312	60	194	18	170	DAF	687.30 SLIP MID TYPE AFM
BMCB65A	60	194	22	94	DAF	687.30 SLIP MID TYPE C/w SERVICE KIT
BMCB09	60	198	30	25	VOLVO	NK300 & NK400 (40 SHORE)
BMCB09/A	60	198	30	25	VOLVO	NK300 & NK400 BRG & RUBBER
BMCB92	60	198	30	25	VOLVO	NORDISKA NK300 & NK400 (80 SHORE)

BM REF #	D2	L3	MM	PIC #	VEHICLE	COMMENTS / APPLICATION
BMCB92A	60	198	30	25	VOLVO	NORDISKA NK300 & NK400 (80 SHORE)
BMCB37	60	198	30		VOLVO	DUMP TRUCK CAST BRACKET
BMCB89	60	200	22	17	RENAULT	KERAX
BMCB40	60	200	35	80	DAF	SOLID RUBBER WITH LUBE
BMCB79	60	200	35.5	81	RENAULT	O.E. SPICER SPL170/250 SLOTTED RUBBER
BMCB35	60	200	36	82	FORD	GROVE & IVECO / NON LUBE SLOTTED HOLES
BMCB43	60	219	22	27	DENNIS	& LEYLAND 8380-6001
BMCB158	60	219	36	27	VARIOUS	SOLID RUBBER 210875-1X
BMCB42A	60	219	36	27	ERF	FODEN & SEDDON ALT 8080-6001
BMCB42	60	219	36	27	ERF	FODEN & SEDDON 8080-6001
BMCB259	60	219	36	134	VOLVO	8127224 OE # SPICER REF 212067-3X
BMCB208	60	219	36	122	VOLVO	& RENAULT KERAX H=84.6MM
BMCB256	60	220	22	48	IVECO	CAST BRG HOUSING
BMCB78	60	220	36	48	IVECO	O.E. KLEIN CAST BRACKET
BMCB78A	60	220	36	48	IVECO	CAST BRACKET AFM
BMCB38	60	247	25	24	MERCEDES	ROUND
BMCB39	60	-	22	23	SCANIA	P300, 400,500 600 (NEW 85MM SEAL) C/w LUBE
BMCB115	60	-	26	23	SCANIA	P300, 400, 500,& 600 ORIGINAL SEALED
BMCB115A	60	-	26	23	SCANIA	P300, 400, 500,& 600 ALTERNATIVE SEALED
BMCB105	61.5	195	65		JCB & CAT	USE WITH MID STUB MS10.2
232373	61.9	188	65		CAT	USE WITH MID STUB MS10.2
BMCB236	65	170	18	125	JAGUAR	X400 4x4 4 WD
BMCB44	65	193	23	55	SEDDON	& FODEN KEMPF (CAST BRKT)
BMCB100	65	194	18	30	MAN	O.E. KLEIN MAN SLIP MID TYPE
BMCB100/1	65	194	18	30	MAN	MAN SLIP MID TYPE AFM
BMCB314	65	194	18	??	DAF	DAF SLIP MID ASSY O.E. REF # 1711488
BMCB55	65	200	18	26	DAF	O.E. KLEIN SOLID RUBBER
BMCB55/1	65	200	18	26	DAF	SOLID RUBBER - AFM
BMCB191	65	200	18	102	DAF	O.E. KLEIN SOLID RUBBER UPGRADED BRACKET
BMCB45	65	200	18	26	IVECO	O.E. KLEIN SLOTTED RUBBER
BMCB126	65	200	18	26	IVECO	O.E. KLEIN IVECO C/w TWIN RADIAL SEAL
BMCB98	65	210	47	61		8.5C MECHANICS
BMCB50	65	220	18	98	MAN	O.E. MAN SLIP MID TYPE
BMCB46/2	65	220 / 230	23	27	MAN	O.E. GWB - MAN 81394106019
BMCB46/1	65	230	23	27	MAN	AFM
BMCB77	70	190	20	22	MERCEDES	U SHAPE - MAY NEED A655.411.0052 SPACER
BMCB48	70	198	20	25	VOLVO	NORDISKA NK500 & NK600 NK24552
BMCB48A	70	198	20	25	VOLVO	ALTERNATIVE NK500 & NK600
BMCB48/A	70	-	20	25	VOLVO	NK500 & NK600 LESS BRACKET
BMCB49	70	219	20	27	DAF	DENNIS & LEYLAND 8080-7001
BMCB135	70	220	20	48	IVECO	CAST BRACKET
BMCB54	70	220	20	29	DAF	O.E. GWB 2055, 2060 & 2065 SOLID RUBBER
BMCB66	70	220	20	29	IVECO	O.E. SLOTTED RUBBER ROUND MTG HOLES
BMCB52	70	220	20	29	VOLVO	O.E. SLOTTED RUBBER & MTG HOLES
BMCB109	70	220	20	29	VOLVO	O.E. SLOTTED RUBBER & 2 OFF SEALS
BMCB111	70	220	20	28	IVECO	O.E. GWB 2040SRS 2 PC SHAFT
BMCB85	70	220	45	48	DAF / IVECO	CAST BRG (SLOTTED B/ HOLES) ORIGINAL
BMCB206	70	220	26	104	IVECO	O.E. REF # 42565564 2060 SLOTTED RUBBER
BMCB192/1	70	220/230	26	104	VOLVO	REPLACED BY BMCB257
BMCB257/1	70	220/230	26	104	VOLVO	O.E. VOLVO 2055/2060 SRS OE REF # 25641426

BM REF #	D2	L3	MM	PIC #	VEHICLE	COMMENTS / APPLICATION
BMCB331	70	220/230	26	19	VOLVO	O.E.VOLVO OE REF # 22611720
BMCB319	70	220	220	104	MAN	O.E.GWB MAN 2060 SRS
BMCB47	70	242	25	24	MERCEDES	ROUND 395 410 0022
BMCB102	75	215	61		CAT	296-4292 1610 SRS PLUMMER BLOCK TYPE
BMCB181	75	220	26	104	RENAULT	O.E. GWB 2040SRS TWO PIECE SHAFT
BMCB74	75	220	19	26	DAF	O.E. KLEIN 620 SRS SOLID RUBBER
BMCB26	75	220	19	26	IVECO	O.E. KLEIN 620 SRS STANDARD
BMCB94	75	220	20	83	IVECO	O.E. KLEIN 590 SRS 2 PIECE SLIP MID SHAFTS
BMCB194	75	220	26	104	IVECO	O.E. GWB 2040 / 687.40 SLIP MID SHAFTS
BMCB104	75	230	18	30	MAN	O.E KLEIN 490 2 PIECE SLIP MID
BMCB88	75	230	26	104	MAN	SUPERCEDED BY BMCB190
BMCB88A	75	230	18	28	MAN	MAN 2040/2045 2 PC SLIP MID AFM
BMCB190	75	220	26	28	MAN	O.E. GWB 2040/2045 2 PC SLIP MID 84
SHORE						
BMCB335	75	220	28	28	MAN	O.E. GWB 2040 2 PC SLIP MID 84 SHORE
BMCB101	80	220	22	84	IVECO	O.E. KLEIN
BMCB87	80	245	22	24	MERCEDES	ROUND
BMCB87A	80	245	22	24	MERCEDES	ROUND STYLE -AFM
BMCB182	85	220	13	104	IVECO	O.E. GWB 2055SRS 2 PIECE SLIP MID
BMCB165A	85	220	13	28	MAN	2055 SRS 2 PIECE SLIP MID (SHORE 70) AFM
BMCB219	85	220	26	104	MAN	O.E. GWB 2055 SRS 2 PC SLIP MID (84 SHORE)
BMCB53	100	194	13	31	MAN	& IVECO O.E. KLEIN 2 PC SLIPMID
BMCB53/1	100	194	13	31	MAN	& IVECO 2 PC SLIPMID TO BMCB53 AFM



DIMENSIONS: A: ___ B: ___ C: ___ D: ___ E: ___ F: ___ G: ___





49



50



51



52



53



54



55



56



57



58



59



60



61



62



63



64



65



66



67



68



69



70



71



72



73



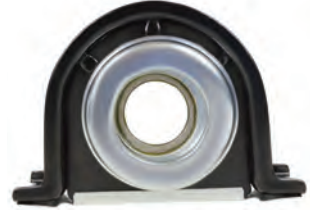
74



75



76



77



78



79



80



81



82



83



84



85



86



87



88



89



90



91



92



93



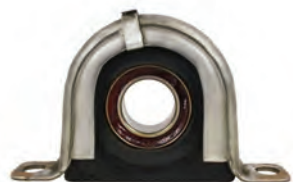
94

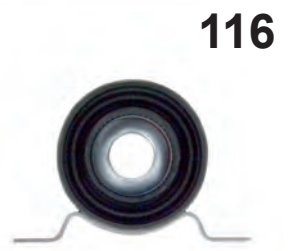
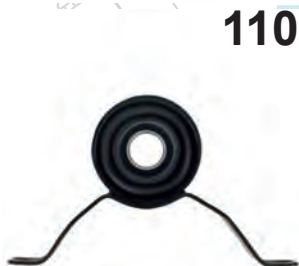
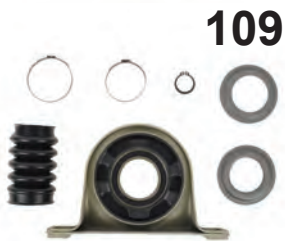


95



96



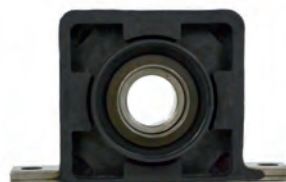


117

118

119

120



121



122



123



124



125



126



127



128



129



130



131



132



133



134



135



136



137



138



139



140



141



142



143



144

145



146



147



148



149



150



151



152



153



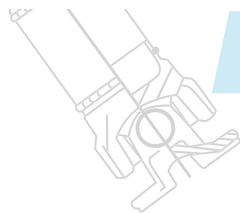
154



155

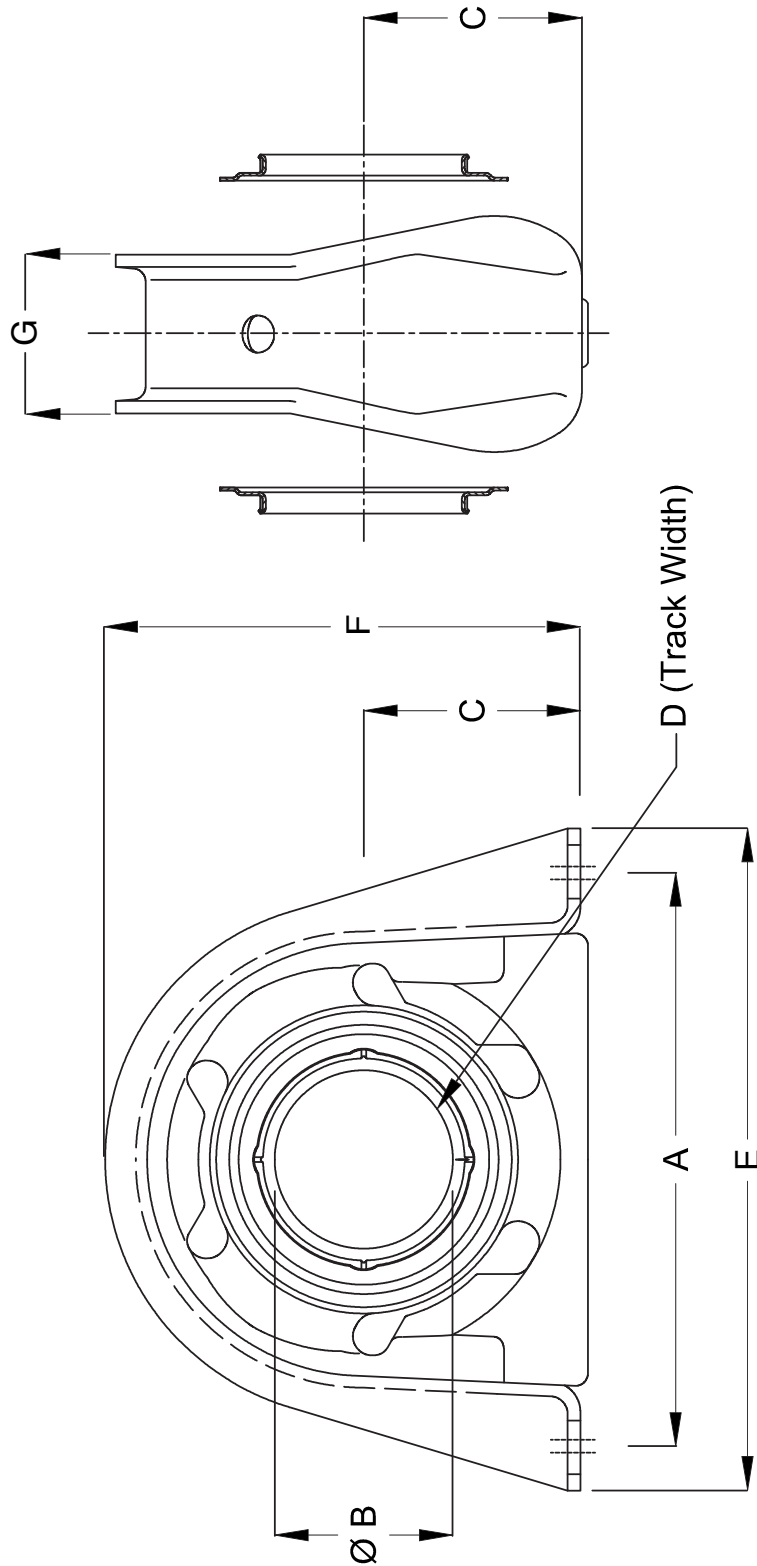


156

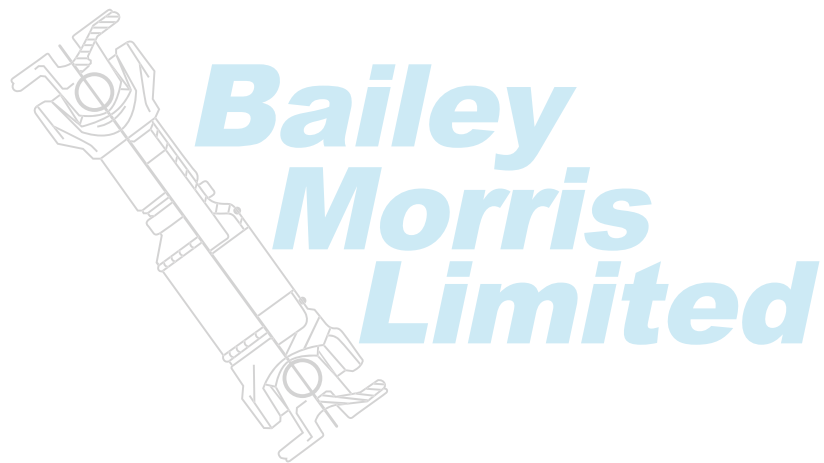


Limited

TECHINICAL QUESTIONNAIRE FOR CENTRE BEARING



DIMENSIONS: A: ___ B: ___ C: ___ D: ___ E: ___ F: ___ G: ___



COMPACT STYLE SPICER 2000/687 SERIES, KLEIN COMPONENTS AND GWB 128 & 228 SERIES SHAFTS



BM REF #	COMMENTS / DESCRIPTION
2015 / 687.15	27 X 74.6MM - (SEE ALSO 1300)
SHAFT ASSY	
2015YSA-3	YSA LESS UJ & FLANGES 60MM SLIP AT 184MM UJ CTR.LINES
YOKE SHAFT ASSY	
SA23.5	9.01 DESIGN 90MM SLIP / 63X2.4MM Ø TUBE W/O FLANGE & UJ - 25° H=202MM
YOKE SHAFT ASSY	
SA23.1	60MM SLIP / 52X3.5MM Ø TUBE W/O FLANGE & UJ - 25° H=181MM
SA23.2	60MM SLIP / 63X1.62MM / 2.5X.064" Ø TUBE W/O FLANGE & UJ - 25° H=175MM
SA23.4	90MM SLIP / 63X1.62MM / 2.5X.064" Ø TUBE W/O FLANGE & UJ - 25° H=205MM
SA23.6	130MM SLIP / 63X1.62MM / 2.5X.064" Ø TUBE W/O FLANGE & UJ - 25° H=240MM
SA23.10	60MM SLIP / 63.5X2.4MM / 2.5X.095W" Ø TUBE W/O FLANGE & UJ - 25° H=167MM
SA23.11	130MM SLIP / 63.5X2.4MM / 2.5X.095W" Ø TUBE W/O FLANGE & UJ - 25° H=228MM
SEAL TUBE	
ST23.1	TO SUIT 60MM SLIP H = 80MM
ST23.2	TO SUIT 90MM SLIP H = 114MM
ST23.3	TO SUIT 130MM SLIP H = 155MM
SLIP-MID ASSY	
SA23.8	ASSY (INCL CAP) TO SUIT 45MM Ø BMCB20 CTR BRG / 88.9X2.41MM TUBE IVECO CAN ALSO USE MS3.1 / SL3.4 / BMCB60
FLANGE YOKE	
FY23.9	87MM Ø 1140SAE H=43MM
FY23.1	90X4X8MM Ø H=50MM
FY23.5	97X4X10.1MM Ø 1310SAE H=43MM
FY23.8	100MM Ø BLANK H=48MM
FY23.4	100MM Ø BLANK H=54MM
FY23.2	100X6X8MM Ø H=48MM
FY23.6	100X6X8MM Ø H=54MM 35°
FY23.7	116MM 4X12.2MM Ø 1410SAE H=43MM
FY23.19	116X3X11.1MM H=71.5MM - VOLVO FANSHAFT APPLICATION
FY23.11	120MM Ø BLANK H=43MM
FY23.10	120X8X8MM Ø H=43MM
FY23.3	120X8X10MM Ø H=43MM
FY23.26	132X4X12.7MM Ø H=55MM FS=65MM BHC=76X76MM - NISSAN CABSTAR
TUBE YOKE	
TY23.2	52X3.5MM Ø TUBE H=53MM
TY23.6	52X3.5MM Ø TUBE H=53MM (2015 ALT)
TY23.1	63X2.4MM (2.5X0.095") Ø TUBE 25° H=50MM
TY23.3	76.2X1.62MM (3.0X0.064") H=61MM

BM REF #	COMMENTS / DESCRIPTION
2015 / 687.15	27 X 74.6MM - (SEE ALSO 1300)

U'JOINT

BM236	27X74.6MM CENTRE LUBE (ORIGINAL SPICER)
BM236A	27X74.6MM CENTRE LUBE (2015 ALT)
BM352	27X74.6MM 2 X END LUBE
BM450	27X74.6MM (SFL) INA BRG CAPS
BM297	27X74.6MM SFL HEAVY DUTY HS191
BM620	2015 / 687.15 GENUINE 4 X LUBE IN END OF CAP

CENTRE BRG

BMCB91	IVECO DAILY RANGE / 40X168X22MM - EXTENDED SHROUD - ORIGINAL
BMCB91A	IVECO DAILY RANGE / 40X168X22MM - EXTENDED SHROUD - ALTERNATIVE
BMCB20	45X168X19MM BONDED RUBBER IVECO
BMCB20/1	45X168X19MM ORIGINAL SPICER IVECO

TUBING

TUBE52X3.5	52X3.5MM Ø
TUBE250X095W	63X2.4MM Ø (2.5X0.095")

END SPLINE

EY23.1	2015 VOLVO FANSHAFT YOKE C/w MALE SPLINE 26 SPLINES H=185MM SUITS BMFS16, BMFS18 & BMFS20
EY23.2	2015 FANSHAFT YOKE C/w MALE SPLINE+THREAD 26 SPLINES H=223.5MM VOLVO FANSHAFT
EY23.3	2015 FANSHAFT END YOKE 113MM PCD H=59MM 3 BOLT YOKE = 120° BETWEEN HOLES / 113MM PCD / 12.5MM HOLES / 20MM SPIGOT

FANSHAFT ASSY

BMFS16	VOLVO FANSHAFT TO SUIT B10M B9M MK4 MK3 O.E. REF # 3037490-4
BMFS18	VOLVO FANSHAFT VOLVO B10M / L.480MM O.E. REF # 20565732
BMFS19	VOLVO FANSHAFT VOLVO B12 / L.518.5MM O.E. REF # 21038602 22070240
BMFS20	VOLVO FANSHAFT VOLVO COACH / L.437MM O.E. REF # 20854105
BMFS21	2015 SRS FANSHAFT VOLVO COACH / L.460MM O.E. REF # 21174448
BMFS22	2015 SRS FANSHAFT VOLVO COACH / L.478MM O.E. REF # 21017681
BMFS23	2015 SRS FANSHAFT VOLVO BUS / L=385MM O.E. REF # 2212175



BM REF #	COMMENTS / DESCRIPTION
2020 / 687.20	30.2X81.8MM

RENAULT-4	RENAULT MASCOT/MASTER III L= 1252MM OE REF # 8200987034
RENAULT-5	RENAULT MASCOT/MASTER III L= 2060MM OE REF # 8200987033
RENAULT-6	RENAULT MASCOT/MASTER III L= 2665MM OE REF # 8200958092

SHAFT ASSY

2020YSA-3	YSA LESS UJ & FLANGES @ 209MM UJ CTRS La.70MM
2020YSA-4	YSA LESS UJ & FLANGES @ 290MM UJ CTRS La.120MM CAN REDUCE TO 190MM CTRS
2020YSA-7	YSA LESS UJ & FLANGES @ 244MM UJ CTRS La.50MM

BM REF #	COMMENTS / DESCRIPTION
2020 / 687.20	30.2X81.8MM

YOKE SHAFT ASSY

SA24.1	La. 70MM / 76.2X2.4MM Ø TUBE W/o FL & UJ - SPICER L=193MM
SA24.3	La. 100MM / 76.2X2.4MM Ø TUBE W/o FL & UJ - SPICER L=223MM
SA24.4	La. 70MM / 76.2X2.4MM Ø TUBE W/o FL & UJ - L=193MM
SA24.5	La. 80MM / 76.2X1.6MM Ø TUBE W/o FL & UJ - L=200.5MM
SA24.7	La. 70MM / 76.2X2.1MM Ø TUBE W/o FL & UJ - L=200MM
SA24.9	La. 140MM / 76.2X2.4MM Ø TUBE W/o FL & UJ - SPICER - L=273MM
SA24.11	La. 100MM / 63X2.5MM Ø TUBE W/o FL & UJ - L=221MM

SEAL TUBE

ST24.1	SEAL TUBE H=95MM La.70mm
ST24.2	SEAL TUBE H=125MM La.100mm
ST24.3	SEAL TUBE H=135MM La.110mm

SLEEVE

SL24.1	TO SUIT 3.0X.095" Ø TUBE La.70MM
SL24.2	TO SUIT 3.0X.095" Ø TUBE La.100MM
SL24.4	MB SPRINTER 45MM Ø MID SLEEVE SPRINTER 2020 BMCB59 3X.095"

SLIP-MID ASSY

SA24.10	DAF & RVI INC BMCB116 45MM Ø BEARING / 76.2X2.4MM Ø TUBE H=200MM
SA24.13	MERC SPRINTER Y/SHAFT & SLEEVE W/o 45MM BMCB59 Ø TUBE 76.2X2.4MM
SA24.14	MERC SPRINTER Y/SHAFT & SLEEVE W/o 47MM BMCB196 Ø TUBE 76.2X2.4MM
SA24.19	MERC SPRINTER Y/SHAFT & SLEEVE W/o 47MM BMCB196 Ø TUBE 76.2X2.4MM
SA24.15	MERC SPRINTER Y/SHAFT & SLEEVE C/w 50MM BRG Ø TUBE 70X2MM H=222MM

SERVICE KIT

DCBMCB116	YOKE SHAFT / BMCB116 DUST CAP & SEAL KIT
-----------	--

FLANGE YOKE

FY24.11	10.2MM HOLES PCD=85MM MS=65MM BHC=68.6X49.8MM H=46MM ISUZU
FY24.36	90X4X8MM H=58MM 35° "ALT"
FY24.14	97MM Ø 1310SAE (M10 HOLES) H=58MM
FY24.10	100MM Ø BLANK H=54MM
FY24.1	100X6X8MM H=54MM
FY24.49	100X8X8MM H=58MM MB G WAGEN
FY24.8	107.95MM PCD 12.66MM HOLES H=45MM FORD TRANSIT GEARBOX ONLY
FY24.40	115X4X10.2MM PCD=90MM MS=45MM H=58MM BHC=63.5X63.5MM HYUNDAI
FY24.12	115X4X10.2MM PCD=90MM BHC=69X58MM MS=60MM H=58MM MITSUBISHI
FY24.56	115X4X11MM PCD=93.3MM BHC=66X66MM MS=46MM H=58MM TOYOTA
FY24.57	115X4X10.2MM PCD=93.1MM BHC=61X70MM MS=46MM H=58MM TOYOTA
FY24.58	115MM BLANK FLANGE H=58MM
FY24.3	116MM Ø 1410SAE (M12 HOLES) H=48MM
FY24.6	116MM Ø 1410SAE (11.1MM HOLES) H=48MM
FY24.25	116MM Ø 1410SAE BLANK FLANGE (UN-DRILLED) H=48MM
FY24.4	120MM Ø BLANK H=58MM
FY24.18	120MM Ø BLANK H=54MM
FY24.37	120X4X10.2MM H=58MM 98MM PCD MALE SPIGOT 65.3MM VW AMOROK
FY24.5	120X4X11MM Ø H=54MM (120KV)
FY24.13	120X8X8MM Ø H=54MM
FY24.2	120X8X10MM Ø H=54MM ORIGINAL SPICER
FY24.7	120X8X10MM Ø H=54MM ALTERNATIVE
FY24.35	120X8X10MM Ø H=58MM ALTERNATIVE
FY24.39	MITSUBISHI 124X6X10MM Ø H=58MM PCD=107MM MALES SPIGOT=90Ø
FY24.21	SPRINTER 132X4X10.2MM ROUND H=58MM PCD=112MM FEMALE SPIGOT=67MM

BM REF #	COMMENTS / DESCRIPTION
2020 / 687.20	30.2X81.8MM
FY24.41	SPRINTER 132X4X10.2MM SQUARE H=44MM PCD=112MM FEMALE SPIGOT=67MM
FY24.22	SPRINTER 132MM DIA BLANK Ø H=58MM FEMALE SPIGOT = 67MM
FY24.23	SPRINTER 120X4X10.2MM H=58MM PCD =101.5MM FEMALE SPIGOT = 57MM
FY24.38	SPRINTER 146X4X12.2MM H=58MM PCD=120MM FEMALE SPIGOT 67MM
FY24.51	SPRINTER 146X4X12.2MM H=44MM PCD=120MM FEMALE SPIGOT 67MM
FY24.31	MB VITO 120X4X10.2MM H=58MM PCD 101.5MM FEMALE SPIGOT = 57MM
FY24.26	MB VITO 132X4X10.2MM H=58MM PCD=112MM FEMALE SPIGOT = 58MM
FY24.29	132X4X12.7MM H=58MM PCD= 108MM BOLT HOLE SPACING 76X76MM FEMALE SPIGOT = 65MM - NISSAN CABSTAR - ORIGINAL SPICER
FY24.30	132X4X12.7MM H=58MM PCD= 108MM BOLT HOLE SPACING 76X76MM FEMALE SPIGOT = 65MM - NISSAN CABSTAR - ALTERNATIVE
FY24.43	MITSUBISHI 133X4X12 H=58 MS=45MM PCD=105MM 74X74MM
FY24.53	MITSUBISHI 133X4X10MM H=58MM MS=45MM PCD=105MM 74X74MM
TUBE YOKE	
TY24.1	SPICER 76.2X2.4MM (3.0X.095") Ø TUBE H=53MM
TY24.12	76.2X2.4MM (3.0X.095") Ø TUBE H=53MM - SPRINTER
TY24.3	76.2X2.4MM (3.0X.095") Ø TUBE H=45MM
TY24.9	76.2X2.4MM (3.0X.095") Ø TUBE H=53MM
TY24.2	88.9X2.4MM (3.5X.095") Ø TUBE H=53MM (supplied with adaptor bush fitted)
TY24.4	76.2X1.62MM (3.0X.064") Ø TUBE "FORD TRANSIT" H=45MM
TY24.5	70X3MM Ø TUBE H=53MM
TY24.6	63X2.5MM Ø TUBE - SOLID BASE H=-58MM
TY24.7	70X2MM Ø TUBE H=55MM
TY24.11	70X2MM Ø TUBE H=72MM
TY24.13	70X2.41MM Ø TUBE H=53MM - SPRINTER WITH SWAGED TUBE
TY24.14	70X2.35MM Ø TUBE H=53MM TUBE BASE=65.3MM - SPRINTER
TY24.8	65.7MM BASE H=55MM
MID ASSY	
MA24.1	120X4X11MM INC BMCB20 45MM Ø BRG / 76.2X2.4MM Ø TUBE - IVECO H=70MM
MA24.4	132X4X12.2MM PCD 108MM - 65MM DIA MALE REGISTER 45MM Ø BRG BMCB116 76.2X2.4MM - NISSAN - H=122MM / S/O = 78MM
MID YOKE	
MY24.3	NEW FORD TRANSIT (USE WITH MS24.3) "29.6MM DIA SPLINE"
MY24.4	NEW FORD TRANSIT (USE WITH MS2.2/1) 1300 SRS
MID STUB	
MS24.3	NEW FORD TRANSIT 3.0X.064" Ø TUBE (USE WITH MY24.3) "29.6MM DIA SPLINE"
END YOKE	
EY24.2	NEW FORD TRANSIT 31MM BORE W/o BUSH 3 ARM COUPLING FLANGE 105MM PCD (USE WITH FC-9) TUBE 58X1.62MM H=34MM
EY24.3	3 ARM COUPLING FLANGE 120MM PCD (USE WITH FC10) TUBE 66X2.41MM H=33MM
BUSH	
BUSH/1	JAGUAR & FORD TRANSIT BUSH 16MM PIN 32MM DIA
BUSH/2	BUSH 16MM PIN 31MM DIA
DOUBLE JOINT	
DJ24.3	DOUBLE JOINT PATROL 2020 120X4X12.2MM 63.5X2.4MM
DJ24.4	DOUBLE JOINT PATROL 2020 132X4X12.75MM 63.5X2.4MM
SHAFT ASSY	
STEER AXLE	DIFFERENT VARIATIONS AVAILABLE ON REQUEST

BM REF #	COMMENTS / DESCRIPTION
2015 / 687.15	27 X 74.6MM - (SEE ALSO 1300)

U'JOINT

BM77	30.2X81.8MM CENTRE LUBE SPICER 2020 ORIGINAL
BM232	30.2X81.8MM CENTRE LUBE ALT 687.20
BM232A	30.2X81.8MM CENTRE LUBE ALT 687.20 HEAVY DUTY
BM232/1	30.2X81.8MM CENTRE LUBE HEAVY DUTY INA BRG CAPS
BM394	30.2X81.8MM 687.20 C/w WITH LUBE
BM412	30.2X81.8MM (SFL) NON LUBE SPICER 2020 ORIGINAL
BM412A	30.2X81.8MM (SFL) NON LUBE INA BRG CAPS
BM855	30.2X81.8MM CENTRE LUBE - MATSUBA UJ-039
BM355	30.2X81.8MM END LUBE IN CAP
BM844	30.2X818.MM - LUBE IN CAP - DOUBLE JOINT APPLICATION

CENTRE BRG

BMCB20	TO SUIT (MA24.1) 45X168X19MM IVECO BONDED RUBBER
BMCB20/1	TO SUIT (MA24.1) 45X168X19MM IVECO SPICER ORIGINAL
BMCB57	TO SUIT (MS24.1) 30X144X13MM NEW FORD TRANSIT
BMCB116	TO SUIT SA24.8 45X168X19MM OFFSET DAF INC SERVICE KIT
BMCB176	TO SUIT SPICER PEP4 INC INTERNAL SERVICE KIT DAF 55X193.5X22MM
BMCB176/1	TO SUIT SPICER PEP4 LESS SERVICE KIT DAF 55X193.5X22MM
DCBMCB116	YOKE SHAFT / BMCB116 DUST CAP & SEAL KIT



BM REF #	COMMENTS / DESCRIPTION
BTB 320	30.2X82MM

CENTRE YOKE

B320HC	BTB320 CENTRE YOKE H=70MM 30.2X82MM - STEER AXLE APPLICATION
B320HC/1	BTB320 CENTRE YOKE H=72MM 30.2X82MM - STEER AXLE APPLICATION

U'JOINT

BM256A	BTB TYPE NON LUBE C/W 1.2MM CIRCLIPS - STEER AXLE (SFL)
BM256A	UNIVERSAL JOINT 30.2X82MM (SFL) "ALT" 1.2MM CIRCLIPS

BM REF #	COMMENTS / DESCRIPTION
2025 / 687.25	34.9 X 92MM

SHAFT ASSY

2025YSA-1	YSA 9.03 DESIGN W/o FL&UJ 215MM UJ CL CLOSED 70MM SLIP (SPICER) W/o SEAL TUBE ST25.1
-----------	--

YOKE SHAFT ASSY

SA25.2	100MM SLIP / 88.9X2.4MM Ø TUBE W/O FLANGE & UJ L=232MM SPICER
--------	--

SLIP-MID ASSY

SA25.3	W/o BRG > TO SUIT BMCB176 55MM Ø CENTRE BRG / 88.9X2.4MM Ø TUBE L=253MM
SA25.5	INC 55MM Ø CTR BRG BMCB176/1 / 88.9X2.4MM Ø TUBE L=290MM W/o SEAL KIT

SEAL TUBE

ST25.1	SEAL TUBE H=125MM
--------	-------------------

BM REF #	COMMENTS / DESCRIPTION
2025 / 687.25	34.9 X 92MM
FLANGE YOKE	
FY25.4	120MM ØDIN BLANK FLANGE H=70MM
FY25.7	120X4X11MM Ø H=60MM SPICER
FY25.3	120X8X10MM Ø H=70MM SPICER
FY25.1	150X8X12MM Ø H=60MM SPICER
FY25.5	150MM Ø BLANK FLANGE SPICER H=60MM
FY25.2	146MM Ø 1510SAE (14MM HOLES) H=60MM
TUBE YOKE	
TY25.1	TO SUIT 89X2.4MM Ø TUBE H=56MM
MID ASSY	
MA25.1	120X4X11MM INC 40MM Ø CTR BRG BMCB64 / 89X2.4MM Ø TUBE S/O =75MM
MA26.3	120X4X11MM Ø 55MM Ø CTR BRG / 88.9X2.4MM Ø TUBE PEP5 S/O = 75MM
U'JOINT	
BM89	34.9X92MM CENTRE LUBE
BM479	34.9X92MM CENTRE LUBE INC INA BRG CAPS
BM583	34.9X92MM NON LUBE SFL
BM704	34.9X92MM HIGH TEMPERATURE CENTRE LUBE
CENTRE BRG	
BMCB64	IVECO 40X168X18MM
BMCB69	IVECO 55X168X18MM (IVECO 2-PIECE)
SEAL KIT (IVECO)	
3525411	RUBBER SEAL
UC19389	CAP
UC19390	FLINGER
SEAL KIT (DAF)	
3525402	DUST CAP (SPICER / PEP4)
3525411	SEAL (SPICER / PEP4)
TUBING	
TUBE350X095W	88.9X2.4MM (3.5 X 0.095") Ø

BM REF #	COMMENTS / DESCRIPTION
2030 / 687.30	34.9 X 106.4MM
SHAFT ASSY	
YSA 9.03 DESIGN	
2030YSA-1	W/o FL&UJ 256MM UJ CL CLOSED C/w SEAL TUBE
2030YSA-1/1	W/o FL&UJ 256MM UJ CL CLOSED W/o SEAL TUBE - SPICER
2030YSA-2	W/o FL&UJ MAX 335MM UJ CL CLOSED / MIN 230MM UJ CL CLOSED
2030YSA-3	W/o FL, UJ SEAL TUBE (9.03) H=170MM / La.30MM
2030YSA-5	W/o FL, UJ YSA (9.03) H=216MM / La.30MM
SEAL TUBE	
ST26.2	SEAL TUBE TO SUIT 2030YSA-1 H=135MM
ST51.3	SEAL TUBE TO SUIT SA26.18 H=210MM
SA26.9	SHORT COUPLE DESIGN La.110MM H=244MM (USE WITH ST26.2 & TY26.1)
YOKE SHAFT ASSY	
SA26.1	La.110MM / 90X3MM TUBE Ø W/O FLANGE & UJ *SPICER* H=247MM
SA26.4	La.110MM / 90X3 (3.5X.095") TUBE Ø W/o FL & UJ
SA26.6	ALTERNATIVE La.110MM 3X.095" TUBE Ø W/o FL & UJ L=245MM
SA26.10	La.155MM / 80X3.5MM TUBE Ø W/o FL & UJ *SPICER* 35°
SA26.18	La.190MM / H309MM 90X3MM TUBE Ø - USE FOR DOUBLE JOINT SLIP ASSY USE ST51.3 COVER TUB

BM REF #	COMMENTS / DESCRIPTION
2030 / 687.30	34.9 X 106.4MM

SLIP-MID ASSY

- SA26.3 **IVECO + NISSAN** TO SUIT BMCB65 OR BMCB65B 60MM Ø CTR BRG
90X3MM Ø TUBE L= 277MM ****LIMITED SUPPLY CAN USE SA26.7****
- SA26.7 **DAF** TO SUIT BMCB65A 60MM Ø CTR BRG / 90X3MM Ø TUBE L=277MM
- SA26.16 **DAF C/w** BMCB65A 60MM Ø, TUBE YOKE & SFL U/J / 90X3MM Ø TUBE
H=340MM C/w CTR BRG SERVICE KIT
- SA26.21 **DAF C/w** BMCB312 60MM Ø, TUBE YOKE & SFL U/J / 90X3MM Ø TUBE H=250MM

SLEEVE

- SL26.2 TO SUIT SA26.1 90X3MM Ø TUBE H = 181MM

FLANGE YOKE

- FY26.4 120MM Ø BLANK H=72MM
- FY26.6 120X4X11MM Ø H=63.5MM ORIGINAL SPICER
- FY26.10 120X4X11MM Ø H=63.5MM
- FY26.2 120X8X10MM Ø H=72MM
- FY26.8 146MM Ø 1510 SAE 12MM BOLT HOLES H=78MM
- FY26.9 150X4X13MM Ø H=65MM 25°
- FY26.1 150X8X12MM Ø H=78MM
- FY26.17 150X8X12MM Ø H=65MM
- FY26.5 150MM Ø DIAMETER BLANK H= 78MM
- FY26.7 175MM Ø 1610SAE (M10) / H=60MM
- FY26.11 120X8X10MM Ø (DOUBLE JOINT APPLICATION)

TUBE YOKE

- TY26.8 70X3MM Ø TUBE H=66MM
- TY26.4 3.00X.095" (76.2X2.41MM) Ø TUBE H=65MM
- TY26.1 90X3MM Ø TUBE H=65MM
- TY26.2 80X3.5MM Ø TUBE 35°
- TY26.3 88.9X2.4MM Ø (3.50X.095") 90X3MM
- TY26.5 80X3.5MM Ø TUBE (DOUBLE JOINT APPLICATION)

FIXED END

- FE26.4 150X4X13MM 90X3MM Ø TUBE SFL U/JOINT

MID ASSY

- MA26.1 120X4X11MM Ø 45MM Ø CENTRE BRG / 90X3MM Ø TUBE S/O 75MM
- MA26.3 120X4X11MM Ø 55MM Ø CENTRE BRG / 90X3MM & 88.9X2.4MM Ø
TUBE S/O = 75MM
- MA26.2 175MM Ø 1610SAE INC 45MM Ø BRG 90X3MM Ø TUBE VOLVO S/O = 90MM

DOUBLE JOINT

- DJ26.1 DOUBLE JOINT ASSY 120X8X10MM Ø / 80X3.5MM Ø TUBE L=236MM
- DJ26.2 DOUBLE JOINT ASSY 1510SAE Ø / 90X3MM Ø TUBE L=234MM
- DJ26.5 DOUBLEJOINT ASSY 1510SAE Ø / 90X3MM Ø TUBE L = 234MM ANGLE = 25/42°
- DJ26.4 DOUBLE JOINT ASSY 150X8X12MM Ø / 90X3MM Ø TUBE L=236MM

H-COUPLING

- 2030HC CENTRE YOKE SECTION H=102MM

BOOT

- BOOT/1 2030 RUBBER BOOT TO SUIT DOUBLE JOINT ASSY (DJ26.1)

BALL

- BALL/1 2030 BALL TO SUIT DOUBLE JOINT ASSY (DJ26.1)

CLAMP

- CLAMP/1 2030 CLAMP TO SUIT DOUBLE JOINT ASSY (DJ26.1)

BM REF #	COMMENTS / DESCRIPTION
2030 / 687.30	34.9 X 106.4MM

U'JOINT

BM88	34.9X106.4MM CENTRE LUBE INC INA BRG CAPS
BM87	34.9X106.4MM CENTRE LUBE (SPICER ORIGINAL)
BM87A	34.9X106.4MM ALTERNATIVE
BM423	34.9X106.4MM SFL (SPICER ORIGINAL)
BM508	34.9X106.4MM LATERAL (SIDE) LUBE
BM835	34.9X106.6MM (SFL)

CENTRE BRG

BMCB122	DAF & RENAULT 55X193.5X18MM / GENUINE 687.30 SRS/ PEP6 SLIP MID TYPE
BMCB176	SPICER PEP 4 - 55X193.5X22MM C/w INA INTERNAL SERVICE KIT
BMCB176/1	SPICER PEP 4 - 55X193.5X22MM LESS INTERNAL SERVICE KIT
BMCB22	45X194X19MM 6380-4501
BMCB65A	DAF ORIGINAL 60X194X22MM / 687.30 SRS SLIP MID TYPE INC SERVICE KIT
BMCB312	DAF ORIGINAL 60X194X18MM / 687.30 SRS SLIP MID TYPE SA26.21 INC SERVICE KIT
BMCB65	IVECO ORIGINAL 60X194X18MM / GENUINE (IVECO 2-PIECE)
BMCB65B	IVECO 60X194X18MM / ALTERNATIVE (IVECO 2-PIECE)

SEAL KIT (IVECO)

DCBMCB65	DUST CAP / SEAL & METAL SHROUD FOR BMCB65 - REPLACED SEE BELOW
UC19385	RUBBER SEAL
UC19386	CAP
UC19387	FLINGER

TUBING

TUBE90X3S	90X3MM Ø TUBE
-----------	---------------

TUBING ADAPTOR

GBSKU00469-41	TUBE ADAPTOR 90X3MM TO 120X3MM
---------------	--------------------------------



BM REF #	COMMENTS / DESCRIPTION
196 KLEIN	38 X 110MM
YOKE SHAFT ASSY	
YS50.1	MAN YOKE SHAFT TO SUIT SL50.2 & BMCB100
SLIP ASSY	
SA50.3	110MM SLIP / 98X2MM Ø TUBE W/O FLANGE & UJ
GAITOR	
216.196.16847	RUBBER GAITOR
SLIP-MID ASSY	
SA50.4	TO SUIT MAN 100MM Ø CENTRE BEARING BMCB53 / 98X2MM Ø TUBE
SA50.6	TO SUIT MAN 65MM Ø CENTRE BEARING BMCB100 INC GAITOR / 98X2MM Ø TUBE
FIXED END	
FE50.1	120X4X11MM TO SUIT 98X2MM TUBE Ø
SLEEVE	
SL50.1	TO SUIT SA50.3 / 98X2MM Ø TUBE MAN / IVECO
SL50.2	TO SUIT 98X2MM Ø TUBE & 65X194MM MAN CTR BRG BMCB50 & BMCB100
SL50.3	TO SUIT 70X4MM Ø TUBE - UNIMOG
SL50.4	TO SUIT SA50.4 / 98X2MM Ø TUBE MAN & IVECO USE WITH BMCB53
FLANGE YOKE	
FY50.5	120X6X10.4MM Ø WITH SPIRAL SERRATION / UNIMOG H=75MM 35°
FY50.2	120X4X11MM Ø H=75MM 35°
FY50.6	120X4X13MM Ø H=75MM - 201.197.15219 UNIMOG 20°
FY50.3	120X6X10MM Ø UNIMOG (FEMALE REGISTER)
FY50.4	120X6X8.4MM Ø H=75MM
FY50.7	120X8X10MM Ø H=75MM 35°
TUBE YOKE	
TY50.1	TO SUIT 98X2MM Ø TUBE
TY50.2	UNIMOG / 70X4MM Ø TUBE
TY50.3	TO SUIT 52X4MM Ø TUBE
TY50.4	TO SUIT 60X4MM Ø TUBE
TY50.5	TO SUIT 80X3.5MM Ø TUBE H=85MM - UNIMOG
U'JOINT	
BM97	MAN 38X110MM / NON LUBE
BM100	IVECO 38X110MM / CENTRE LUBE
BM520	MERCEDES UNIMOG 38X110MM
CENTRE BRG	
BMCB53	MAN & IVECO 100X194X13MM ORIGINAL KLEIN
BMCB53/1	MAN & IVECO 100X194X13MM ALTERNATIVE
221.195.16111	CIRCLIPS TO SUIT BMCB53
BMCB100	MAN 65X193.6X18MM ** INC FLINGERS/SEALS & CIRCLIP**
BMCB100/1	ALT TO BMCB100 65X193.6X18MM
BMCB50	MAN 65X220X18MM
GAITOR	
216.196.16847	TO SUIT SA50.4 MAN SLIP MID ASSY
CARDBOARD	
210.000.14363	TUBE INSERTS 93.7MMX2.8MM TO SUIT 98X2MM Ø TUBE
TUBING	
310.000.93535	KLEIN 196 SRS 98X2MM Ø
210.000.48822	120MM Ø SWAGED TO 100MM Ø - 1208MM
210.000.48823	120MM Ø SWAGED TO 100MM Ø - 1221MM
210.000.48824	120MM Ø SWAGED TO 100MM Ø - 1235MM

BM REF #	COMMENTS / DESCRIPTION
----------	------------------------

196 KLEIN	38 X 110MM
210.000.48825	120MM Ø SWAGED TO 100MM Ø - 1310MM
210.000.48853	120MM Ø SWAGED TO 100MM Ø - 1345MM
210.000.13875	120MM Ø SWAGED TO 100MM Ø - 1390MM
210.000.14423	120MM Ø SWAGED TO 100MM Ø - 1393MM
221.000.49051	120MM Ø SWAGED TO 100MM Ø - 1664MM
210.000.48873	120MM Ø SWAGED TO 100MM Ø - 1739MM
210.000.48854	120MM Ø SWAGED TO 100MM Ø - 1769MM
210.000.14829	120MM Ø SWAGED TO 100MM Ø - 1782MM
210.000.48827	120MM Ø SWAGED TO 100MM Ø - 1903MM
210.000.48832	120MM Ø SWAGED TO 100MM Ø - 1954MM
210.000.48829	120MM Ø SWAGED TO 100MM Ø - 1956MM
210.000.48830	120MM Ø SWAGED TO 100MM Ø - 1963MM



BM REF #	COMMENTS / DESCRIPTION
----------	------------------------

2035 / 687.35	
SLIP JOINT ASSY	
SA27.1	SLIPASSY 2035 120X4X11 100X3MM LUBE H=350MM SPICER ORIGINAL
SA27.14	SLIP ASSY 9.01 TYPE La. 110MM 100X3MM 25° H=288MM SPICER ORIGINAL
FIXED JOINT ASSY	
FE27.1	FIXEDEND 2035 120X4X11 100X3MM LUBE SPICER ORIGINAL
SHORT COUPLE	
2035YSA-1	YOKE SHAFT ASSY W/o SEAL TUBE ST27.1 294MM UJ CTRS CLOSED
2035YSA-5	YOKE SHAFT ASSY C/w SEAL TUBE 318MM UJ CTRS CLOSED
2035YSA-10	YOKE SHAFT ASSY 9.03 DESIGN C/w SEAL TUBE 229MM UJ CTRS CLOSED
2035YSA -11	YOKE SHAFT ASSY 9.03 DESIGN C/w SEAL TUBE 265MM UJ CTRS CLOSED
SEAL TUBE	
ST27.1	SEAL TUBE TO SUIT 2035YSA-1 L=132MM
YOKE SHAFT ASSY	
SA27.2	110MM SLIP 100X3MM Ø TUBE W/O FLANGE & UJ L=275MM SPICER ORIGINAL 25°
SA27.16	110MM SLIP 100X3MM Ø TUBE W/O FLANGE & UJ L=257MM RILSAN SPLINES 35°
SA27.9	190MM SLIP 35 DEG 85X5MM Ø TUBE W/O FLANGE & UJ L=364MM
SLIP-MID ASSY	
SA27.13	SLIP MID ASSY DAF 100X3MM Ø TUBE C/w 60MM Ø BRG BMCB65A L=270MM C/w TUBE YOKE AND SFL U/JOINT
SA27.4	SLIP MID ASSY DAF 100X3MM Ø LESS 60MM Ø BRG - USE SA27.10
SA27.17	SLIP MID ASSY DAF/ , RVI , / VOLVO 100X3MM Ø TUBE C/w 65MM Ø BRG BMCB314 L=212MM SLIP END WELD > C/L CTR BRG / L=127MM C/L CTR BRG TO T/Y WELD C/w TUBE YOKE AND SFL U/JOINT
SA27.10	SLIP MID ASSY IVECO 100X3MM Ø TUBE LESS 60MM Ø BRG BMCB65 - SCREW CAP

BM REF #	COMMENTS / DESCRIPTION
----------	------------------------

2035 / 687.35

FLANGE YOKE

- FY27.7 116X4X11.3MM 1410 SAE H=60MM
- FY27.3 120X4X11MM Ø H=75MM 25° **SPICER ORIGINAL**
- FY27.20 120X8X10MM Ø H=80MM 35°
- FY27.14 146X4X14.25MM 1510SAE H=72MM
- FY27.2 150X4X13MM Ø H=75MM 25°
- FY27.4 150X4X13MM Ø H=88MM
- FY27.10 150MM Ø BLANK H= 72MM
- FY27.11 150X8X10MM Ø H=72MM 25°
- FY27.1 150X8X12MM Ø H=95MM 44°
- FY27.9 150X8X12MM Ø H=72MM
- FY27.6 175MM Ø 1610SAE H=88MM 35° **SPICER ORIGINAL**
- FY27.12 175MM Ø 1610SAE H=88MM 35°
- FY27.5 180X8X14 Ø MM H = 90MM 44° WIDE ANGLE

TUBE YOKE

- TY27.1 TO SUIT 100X3MM Ø TUBE H=72MM **SPICER ORIGINAL**
- TY27.4 TO SUIT 100X3MM Ø TUBE H=72MM
- TY27.3 TO SUIT 85X5MM Ø TUBE H=82MM
- TY27.5 TO SUIT 100X3MM Ø TUBE H=68MM

MID STUB

- MS27.2 MIDSTUB 2035 VOLVO/NK STYLE 100X3MM Ø USE WITH CF27.1 & BMCB92

COMP FLANGE

- CF27.1 COMP-FLANGE 2035 150X4X13 VOLVO / USE WITH MS27.2 & BMCB92

MID ASSY

- MA27.1 120X4X11MM 45MM Ø CENTRE BRG / 100X3MM Ø TUBE H=73MM
- MA27.8 120X4X11MM 55MM Ø CENTRE BRG / 100X3MM Ø TUBE H=73MM
- MA27.6 120X4X11MM W/o BRG (BMCB22) 100X3MM Ø TUBE H=73MM **
NUT+WASHER Inc
- MA27.3 150X4X13MM SOLID RUBBER BRG (BMCB134) / 100X3MM Ø TUBE **VOLVO**
H=75MM
- MA27.5 150X4X13MM SLOTTED RUBBER BRG (BMCB176) / 100X3MM Ø TUBE **DAF**
H=75MM
- MA19.3 175MM Ø 1610SAE / 85X4MM (BMCB134) Ø TUBE **VOLVO** H=89MM

SLEEVE

- SL27.1 FEMALE SLEEVE TO SUIT SA27.2 / 100X3MM Ø TUBE

U'JOINT

- BM219A 42X119.4MM / CENTRE LUBE **C/w THRUST WASHERS**
- BM219 42X119.4MM INC INA BRG CAPS
- BM105 42X119.4MM / **GENUINE CENTRE LUBE**
- BM513 42X119.4MM / **GENUINE HIGH TEMP - VOLVO**
- BM531 42X119.4MM / SKF MAINTENANCE FREE
- BM612 42X119.4MM /. 4X LUBE (LUBE IN EACH BRG CAP)

CENTRE BRG

- BMCB22 45X194X19MM
- BMCB80 **RENAULT & VOLVO** 55X200X18MM SLOTTED RUBBER
- BMCB65 **IVECO** 60X194X18MM / GENUINE (IVECO 2-PIECE)
- BMCB65B **IVECO** 60X194X18MM 687.30 SLIP MID TYPE **CONT.60/1** (ALT)
- BMCB65A **DAF** 60X194X22MM SLIP MID TYPE INC SERVICE KIT
- BMCB92 **VOLVO** 60X198X30MM NORDISKA NK300 & NK400 (80 SHORE)
SEE PIC # 25 **O.E.**
- BMCB92A **VOLVO** 60X198X30MM NORDISKA NK300 & NK400 (80 SHORE)
SEE PIC # 25 **ALT**

BM REF #	COMMENTS / DESCRIPTION
----------	------------------------

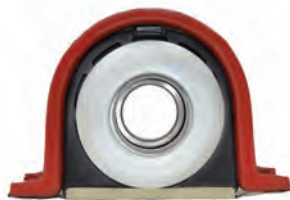
2035 / 687.35

BMCB314 DAF 65X194X18MM O.E REF # 1711488

TUBING

TUBE100X3 100X3MM Ø TUBE

TUBING ADAPTOR TUBE ADAPTOR 100X3MM TO 120X3MM



BM REF #	COMMENTS / DESCRIPTION
----------	------------------------

2040 / 687.40

47.6 X 135.2MM (SEE ALSO 490 KLEIN 48X135.4MM)

SHAFT ASSY

2040AS-11 IVECO INTER AXLE Lz. 673MM / 180MM SLIP 180KV 44° OE REF 98461973

2040AS-16 DAF/RENAULT INTER AXLE Lz. 700MM / 180MM SLIP 180KV 44°

OE REF 1304000

RVI-INTERAXLE RENAULT INTER AXLE Lz. 710MM / 180MM SLIP 1810SAE 44°

OE REF 5010251869

2040YSA-11 DAF INTER AXLE Lz. 640MM / 180MM SLIP 180KV 44° OE REF 1457231

YOKE SHAFT ASSY W/o JOINT & FLANGE - INC SEAL TUBE

SA28.3 SPICER YOKE SHAFT ASSY 120X3MM Ø La.110MM L=250MM 25°

SA28.6 ALTERNATIVE YOKE SHAFT ASSY 120X3MM Ø La 110MM L=250MM 25°

SA28.21 ALTERNATIVE YOKE SHAFT ASSY 100X4.5MM Ø La.110MM L=261MM 25°

SA28.18 SPICER YOKE SHAFT ASSY 100X4.5MM Ø La.110MM L=257MM 44°

SA28.19 SPICER YOKE SHAFT ASSY 100X4.5MM Ø La 150MM L=320MM 44°

SA28.23 SPICER YOKE SHAFT ASSY 100X4.5MM Ø La 160MM L=324MM 44°

SA28.4 SPICER YOKE SHAFT ASSY 100X4.5MM Ø La 180MM L=344MM 44°

SA28.5 ALTERNATIVE YOKE SHAFT ASSY 100X4.5MM Ø La 180MM L=344MM 44°

YOKE SHAFT ASSY 9.01 DESIGN W/o SEAL TUBE U/JOINT & FLANGES

SA28.10 YOKE SHAFT ASSY 100X4.5MM La 180MM 44° L=341MM (INSERT > TY28.2) 27°

SA28.11 YOKE SHAFT ASSY 120X3MM La 110MM SLIP L=254MM (INSERT > TY28.4) 27°

YOKE SHAFT ASSY 9.03 DESIGN W/o SEAL TUBE U/JOINTS & FLANGES

2040YSA-16 SHORT COUPLE 179MM UJ CL CLOSED La= 40MM SLIP (W/o FLANGES & JOINTS)

2040YSA-12/190 SHORT COUPLE 190MM UJ CL CLOSED La= 60MM SLIP (W/o FLANGES & JOINTS)

2040YSA-17 SHORT COUPLE 257MM UJ CL CLOSED La= 60MM SLIP (W/o FLANGES & JOINTS)

2040YSA-10 SHORT COUPLE 302MM UJ CL CLOSED La= 110MM SLIP (W/o FLANGES & JOINTS)

2040YSA-8 SHORT COUPLE 248MM UJ CL CLOSED La= 50MM SLIP (W/o FLANGES & JOINTS)

2040YSA-15 SHORT COUPLE 400MM UJ CL CLOSED La=90MM SLIP (W/o FLANGES & JOINTS)

ORDER ST56.5 FOR SEAL TUBE - CAN RE BE REDUCED TO 245MM

2040YSA-21 SHORT COUPLE 434MM UJ CL CLOSED La= 180MM SLIP (W/o FLANGES & JOINTS)

SLIP-MID ASSY

SA28.12 IVECO INCBMBCB111 70MM Ø CTR BRG 120X3MM Ø (W/o COVER TUBE) L=376MM

SA28.15 MAN INC BMCB190 75MM Ø CTR BRG 120X3MM Ø (Inc.GAITOR) L=250MM

SA28.16 IVECO INC BMCB194 75MM Ø CTR BRG 120X3MM Ø (Inc.GAITOR) L=255MM

SA28.17 RENAULT/VOLVO INC BMCB181 75MM Ø CTR BRG 120X3MM Ø L= 250MM NEEDS GAITOR 10000008401011

BM REF #	COMMENTS / DESCRIPTION
2040 / 687.40	47.6 X 135.2MM (SEE ALSO 490 KLEIN 48X135.4MM)

RUBBER BOOT

10000008401011 RUBBER BOOT KIT TO SUIT YS28.1/SL28.3
 1000008902066 CIRCLIP TO SUIT YS28.1/SL28.3

FLANGE YOKE

FY28.43 150X4X13MM Ø H=74MM 25°
 FY28.1 150X4X13MM Ø H=82MM 25°
 FY28.16 150X4X13MM Ø H=82MM **SPICER** 25°
 FY28.3 150X4X13MM Ø H=102MM **SPICER** 44°
 FY28.17 150X4X13MM Ø H=102MM 44°
 FY28.11 150X8X12MM Ø H=102MM **SPICER** 44°
 FY28.15 150X8X12MM Ø H=93MM **35°**
 FY28.5 165X8X16MM Ø H=90MM 35°
 FY28.21 175MM Ø 1610SAE (10.2MM HOLES) H=92MM
 FY28.37 175MM Ø 1610SAE (10.2MM HOLES) H=100MM **SPICER** 44°
 FY28.26 180MM BLANK FLANGE H=102MM
 FY28.41 180MM Ø HINO FLANGE PCD=105MM BHC=123X86MM H=102M 44°
 MALE SPIG 95MM
 FY28.22 180MM Ø BLANK H=92M 44°
 FY28.10 180X10X16MM Ø H=102MM
 FY28.2 180X4X15MM Ø H=82MM SPICER 25°
 FY28.4 180X4X15MM Ø H=102MM SPICER 44°
 FY28.6 180X8X14MM Ø H=102MM 44°
 FY28.28 180X8X14MM Ø H=82MM
 FY28.7 180X8X16MM Ø H=102MM
 FY28.29 203MM Ø 1710SAE (10.2MM HOLES) H=94MM
 FY28.30 203MM Ø 1710SAE (9.6MM HOLES) H=94MM
 FY28.12 203MM Ø 1810SAE (9.7MM HOLES) H=70.5MM 25° ORIGINAL
 FY28.13 203MM Ø 1810SAE (10.2MM HOLES) H=70.5MM
 FY28.25 203MM Ø 1810SAE (11.1MM HOLES) H=70.5MM 25° ORIGINAL
 FY28.20 203MM Ø 1810SAE (11.1MM HOLES) H=92MM
 FY28.34 203MM Ø 1810SAE (11.1MM HOLES) H=100MM 44°

TUBE YOKE

TY28.1 TO SUIT 120X3MM Ø TUBE 25°
 TY28.4 **SPICER** TO SUIT 120X3MM Ø TUBE 25° H = 87MM
 TY28.2 **SPICER** TO SUIT 100X4.5MM Ø TUBE H=100MM 44°
 TY28.5 TO SUIT 100X4.5MM Ø TUBE H=100MM 44°

MID ASSY

MA28.1 150X4X13MM 55MM Ø CENTRE BRG / 95MM S/O 120X3MM Ø **DAF**
 MA28.8 150X4X13MM 55MM Ø CENTRE BRG / 80MM S/O 120X3MM Ø **IVECO**
 MA28.7 150X4X13MM 65MM Ø CTR BRG BMCB46/1 90MM S/O 120X3MM Ø **MAN**
 MA28.11 150X4X13 55X220X22MM Ø CENTRE BRG BMCB193 / 80MM S/O
 120X3MM Ø **IVECO** INC PLATE & 2 BOLT RETAINER
 MA28.4 180X4X15 55MM Ø CENTRE BRG BMCB67 / 80MM S/O 120X3MM Ø **IVECO**
 MA28.10 180X4X15 55X230X22MM Ø CENTRE BRG / 80MM S/O 120X3MM Ø **IVECO**
 INC PLATE & 2 BOLT RETAINER

COMP FLANGE

CF28.1 150X4X13MM **MAN** (USE WITH MS28.1)
 CF28.2 **ORIGINAL MAN** 150X4X13MM (USE WITH MS28.2)
 CF28.4 **ORIGINAL IVECO** 150X4X13MM H=80MM (USE WITH MS28.3)
 CF28.5 **ORIGINAL DAF** 150X4X13 H=95M (USE WITH MS28.3)
 CF28.3 **ORIGINAL IVECO** 180X4X15 H=80MM (USE WITH MS28.3)

BM REF #	COMMENTS / DESCRIPTION
2040 / 687.40	47.6 X 135.2MM (SEE ALSO 490 KLEIN 48X135.4MM)
MID STUB	
MS28.1	65MM Ø MAN CENTRE BRG 120X3MM Ø (USE WITH CF28.1)
MS28.3	MIDSPLINE 2040 120X3MM DAF / IVECO USE WITH CF28.3 OR CF28.4
MS78.3	30 SPLINE 2040/SPL140 120X3MM TUBE (USE WITH CF78.1 & CF78.2)
SLEEVE	
SL28.1	TO SUIT SA28.3 110MM SLIP / 120X3MM Ø TUBE
SL28.2	TO SUIT SA28.4 180MM SLIP / 100X4.5MM Ø TUBE TO SUIT SHORT COUPLE
SL28.3	TO SUIT YS28.1 & BMCB190 110MM SLIP / 120X3MM Ø TUBE - MAN
SL28.3/1	TO SUIT YS28.1 C/w BMCB190 FITTED CTR BRG 120X3MM Ø TUBE
SL28.10	TO SUIT YS28.1 C/w BMCB194 FITTED CTR BRG 120X3MM Ø TUBE SHORE 75/65
SL28.9	TO SUIT 70X 220MM CTR BRG 120X3MM Ø TUBE 34 SPL L=296MM MAN / IVECO
SL37.3	KLEIN TO SUIT YS28.1 & BMCB190 110MM SLIP / 120X3MM Ø TUBE - MAN
SEAL TUBE	
ST28.1	TO SUIT SL28.1 110MM SLIP L=132MM
ST28.2	TO SUIT SL28.2 180MM SLIP L =202MM
U'JOINT	
BM117	47.6X135.2MM 687.40 / 2040 CENTRE LUBE ORIGINAL SPICER
BM678	47.6X135.2MM / CENTRE LUBE INC INA BRG CAPS
BM119	47.6X135.2MM 687.40 / 2040 CENTRE LUBE ALT OF NON EUROPEAN ORIGIN
BM357	47.6X135.2MM 687.40 / 2040 SFL ORIGINAL SPICER
BM795	47.6X135.4MM 687.40 / 2040 C/w SKF BRG CAPS OF EUROPEAN ORIGIN (SFL)
BM622	47.6X135.2MM 687.40 / 2040 ORIGINAL SPICER 4 X END LUBE IN BRG CAPS
BM622A	47.6X135.2MM 687.40 / 2040 4 X END LUBE IN BRG CAPS
BM567	47.6X135.2MM 687.40 / 2040 GENUINE (HIGH TEMP)
BM824	47.6X135.2MM / 48X135.4 687.40 / 2040 TO KLEIN 490SRS COMBINATION - LUBE
BM668	687.40 / 2040 ORIGINAL SPICER (LOW TEMP)
CENTRE BRG	
BMCB32	55X193.5X18MM TRACK IVECO (ALT)
BMCB34A	55X200X18MM SOLID RUBBER WITH GREASER DAF - ALTERNATIVE
BMCB67	55X193.5X18MM 687.40 SRS ORIGINAL 15X15MM HOLES IVECO H=71.5MM
BMCB80	55X200X18MM 687.40 SRS ORIGINAL SLOTTED RUBBER RENAULT H=69MM
BMCB8128	55X200X18MM 687.40 SRS ORIGINAL SLOTTED RUBBER VOLVO H=71.5MM
BMCB180	55X200X18MM 687.40 SRS IVECO
BMCB193	55X220X22MM IVECO FIXED MID SHAFT H-90MM
BMCB46/1	65X230X23MM MAN (ALT)
BMCB46/2	65X220/230X23MM MAN (GENUINE)
BMCB111	70X220X20MM 2 PIECE SHAFT IVECO
BMCB194	75X220X26MM 2 PIECE SLIP MID SHAFT IVECO
BMCB181	75X220X26MM 2 PIECE SHAFT RENAULT H=75MM
BMCB190	75X220X26MM 2 PIECE SHAFT MAN 84 SHORE
BMCB335	75X230X18MM MAN.75 2040/2045 TWO PIECE SHAFT 84 SHORE O.E. # 81394106040
BMCB88A	75X230X18MM MAN.75 2040/2045 TWO PIECE
BMCB88	SUPERCEDED BY BMCB190
CARDBOARD TUBE INSERTS	
210.000.14465	90.7MMX4.8MM TO SUIT 100X4.5MM Ø TUBE
210.000.13584	113.7X4.8MM TO SUIT 120X3MM Ø TUBE
TUBING	
TUBE100X4.5	TUBE 100X4.5MM Ø
310.000.93562	TUBE120X3MM Ø

BM REF #	COMMENTS / DESCRIPTION
2040 / 687.40	47.6 X 135.2MM (SEE ALSO 490 KLEIN 48X135.4MM)



BM REF #	COMMENTS / DESCRIPTION
490 KLEIN	

SHAFT ASSY 1244408	ORIGINAL DAF INTER AXLE SHAFT 1244408 180KV 180MM SLIP 44@ 693MM FFC
SLIP ASSY	
SA37.3	110MM SLIP / 120X3MM Ø TUBE W/O FLANGE & UJ L=250MM
SA37.4	110MM SLIP / 100X4.5MM Ø TUBE W/O FLANGE & UJ
SA37.11	180MM SLIP / 100X4.5MM Ø TUBE W/O FLANGE & UJ 44° 180KV - KLEIN L=344MM
GAITOR 216.000.16456	TO SUIT MAN SLIP MID ASSY
FLANGE YOKE	
FY37.3	150X4X13MM H=82MM 25°
FY37.2	150X4X13MM H=102MM 44°
FY37.1	180X4X15MM H=82MM 25°
TUBE YOKE	
TY37.1	TO SUIT 120X3MM Ø TUBE 25° KLEIN
TY37.2	TO SUIT 100X4.5MM Ø TUBE 44° KLEIN
TY37.4	TO SUIT 100X4.5MM Ø TUBE 44°
MID ASSY	
MA37.1	150X4X13MM 65MM Ø CENTRE BRG / 95MM S/O 120X3MM Ø DAF
MA51.2	150X4X13MM 65MM Ø CENTRE BRG / 95MM S/O 85X5MM Ø DAF
MA37.4	150X4X13MM 65MM Ø CENTRE BRG / 80MM S/O 120X3MM Ø IVECO
MA37.3	180X4X15MM 65MM Ø CENTRE BRG / 80MM S/O 120X3MM Ø IVECO
MA37.2	180X4X15MM 65MM Ø CENTRE BRG / 95MM S/O 120X3MM Ø DAF
MA37.5	180X4X15MM 65MM Ø H.D. CENTRE BRG BMCB191 / 95MM S/O 120X3MM Ø DAF
COMP FLANGE	
CF37.1	150X4X13MM / TO SUIT 65MM Ø C/BRG BMCB55 DAF
CF37.2	150X4X13MM / TO SUIT 65MM Ø C/BRG BMCB45 IVECO
CF30.1	180X4X15MM / TO SUIT 65MM Ø C/BRG BMCB45 IVECO
MID STUB	
MS37.1	TO SUIT 120X3MM Ø TUBE
MS51.2	TO SUIT 85X5MM Ø TUBE USE WITH BMCB55 & CF37.1 DAF
MID NUT & WASHER	
243.000.17121	MID NUT (M40x1.5)
261.000.03678	MID WASHER
MID NUT TOOL 1240082	MID NUT TOOL
SLEEVE SL37.1	TO SUIT SA37.3 110MM SLIP / 120X3MM Ø TUBE

BM REF #	COMMENTS / DESCRIPTION
----------	------------------------

490 KLEIN	
------------------	--

SEAL TUBE	
ST37.1	TO SUIT SA37.3 130MM LONG
U'JOINT	
BM125	UNIVERSAL JOINT 48X135.4MM / CENTRE LUBE ORIGINAL
BM358	UNIVERSAL JOINT 48X135.4MM / SFL NON LUBE ORIGINAL
BM497	UNIVERSAL JOINT 48X135.4MM / SFL NON LUBE ORIGINAL INC SKF BRG CAPS
BM353	UNIVERSAL JOINT 490 SRS ALTERNATIVE INA BRG CAPS
BM824	UNIVERSAL JOINT 47.6X135.2MM / 48X135.4 687.40 / 2040 & 490SRS COMB - LUBE
CENTRE BRG	
BMCB55	65X200X18 SOLID RUBBER DAF
BMCB45	65X200X18MM SLOTTED RUBBER IVECO ORIGINAL
BMCB126	65X200X18MM KLEIN INC TWIN RADIAL SEAL - IVECO
BMCB104	75X230X18MM TO SUIT TWO PIECE SHAFT MAN
CARDBOARD TUBE INSERTS	
210.000.14465	90.7MMX4.8MM TO SUIT 100X4.5MM Ø TUBE
210.000.13584	113.7X4.8MM TO SUIT 120X3MM Ø TUBE
TUBING	
TUBE100X4.5	100X4.5MM Ø
310.000.93562	120X3MM Ø



BM REF #	COMMENTS / DESCRIPTION
----------	------------------------

2045 / 2047	687.45 & KLEIN 590SRS 52 X 147.2MM UJ
--------------------	--

SHAFT ASSY	
2045YSA-1	2045 YSA 1810SAE @ 457MM FFC
2045YSA-2	IVECO 2045 YSA 180X4X15MM @ 650MM FFC
2045YSA-13	VOLVO L220E VCE 180KV Lz=461MM La=80MM O.E # 15085431
20476720	VOLVO I/AXLE 180KV 180MM SLIP Lz.684MM SFL UJS PHASED 90°
590YSA-2	VOLVO INTER-AXLE 180KV SLIP Lz.684MM SFL UJS PHASED 90°
590YSA-3	VOLVO I/AXLE 180KV 180MM SLIP Lz.684MM SFL UJS PHASED 0° OE# 20476719
BMPS61-NEW	VOLVO B10L 2045 YSA 180X4X15MM Lz=541MM FFC
BMPS62-NEW	VOLVO B10M SHORT COUPLE YSA 1710SAE TO SUIT Lz. 490MM
BMPS65	VOLVO BM10M SHORT COUPLE YSA 1710SAE TO SUIT Lz. 420MM
2045YSA-4	VOLVO SHORT COUPLE SHAFT 180KV H=108MM Lz=626MM O.E # 20489408
2045YSA-7	VOLVO SHORT COUPLE SHAFT YSA 180KV Lz=447MM O.E #20506698
BMPS58-NEW	DAF COACH 180KV @ SLIP END / 150KV @ FIXED END Lz. 534MM
YOKE SHAFT ASSY	
SA30.2	110X5MM TUBE GWB 2045 180MM SLIP / 110X5MM Ø TUBE W/O FL & UJ L=360MM 44°

BM REF #	COMMENTS / DESCRIPTION
2045 / 2047	687.45 & KLEIN 590SRS 52 X 147.2MM UJ
YOKE SHAFT ASSY	120X4MM TUBE
SA30.1	GWB 2045 110MM SLIP / 120X4MM Ø TUBE W/O FL & UJ L=265MM 25°
SA30.27	GWB 2045 110MM SLIP / 120X4MM Ø TUBE W/O FL & UJ L=265MM 25° C/W LUBE POINT
SA30.3	KLEIN 590 110MM SLIP / 120X4MM Ø TUBE W/O FL & UJ L=267MM 25°
SA30.9	ALT 2045 110MM SLIP / 120X4MM Ø TUBE W/O FL & UJ L=265MM 25°
SA30.4	KLEIN 590 180MM SLIP / 120X4MM Ø TUBE W/O FL & UJ L=360MM 44°
SA30.16	ALT 2045 180MM SLIP / 120X4MM Ø TUBE W/O FL & UJ L=355MM 44°
YOKE SHAFT ASSY	120X5MM TUBE
SA30.5	KLEIN 110MM SLIP / 120X5MM Ø TUBE W/O FL & UJ 25° L=265MM
SA30.19	GWB 110MM SLIP / 120X5MM Ø TUBE W/O FL & UJ 25° L=265MM
SA30.6	KLEIN 590 70MM SLIP / 120X5MM Ø TUBE W/O FLANGE & UJ L=267MM 25°
YOKE SHAFT ASSY	9.01 DESIGN
SA30.13	GWB 2045 110MM SLIP / 120X4MM Ø TUBE W/O FL, UJ & SEAL TUBE H=272MM 27°
SA30.14	2045 180MM SLIP / 120X4MM Ø TUBE W/O FL, UJ C/w SEAL TUBE H=373MM 44°
SA30.14A	SPICER 2045 180MM SLIP / 110X5MM Ø TUBE W/O FL, UJ & ST H=360MM 44°
SA30.22	SPICER 2045 180MM SLIP / 110X5MM La.180MM 35° H=360
SA30.20	KLEIN 590 130MM SLIP / 120X4MM Ø TUBE USE WITH TY30.8 44°
YOKE SHAFT ASSY	9.03 DESIGN
2045YSA-14	2045 YSA @ 287MM UJ CL CLOSED (W/O SEAL TUBE) La.80MM
2045YSA-3	2045 YSA @ 317MM UJ CL CLOSED (W/O SEAL TUBE) La.110MM
2045YSA-11	2045 YSA @ 416MM UJ CL CLOSED (c/W SEAL TUBE) La.180MM 44°
2045YSA-11A	2045 YSA @ 410MM UJ CL CLOSED (c/W SEAL TUBE) La.180MM 44°
2045YSA-6	2045 YSA @ 430MM UJ CLOSED REDUCES TO 280MM UJ CL CLOSED C/w SEALTUBE
2045YSA-9	2045 YSA @ 468MM UJ CLOSED La.180MM 9.01 (0°)
SLIP-MID ASSY	
SA30.17	SPICER 2045 120X4MM La.110MM IVECO L=325MM C/L UJ > C/L WELD INC BMCB194 75X220X26MM / L=222MM C/L CTR BRG > C/L UJ
SA30.18	SPICER 2045 120X4MM La.110MM MAN L=267MM C/L UJ > C/L WELD INC BMCB190 75X230X26MM / L=165MM C/L CTR BRG > C/L UJ
FLANGE YOKE	
FY30.11	GWB 150X4X13MM Ø H=100MM 37°
FY30.2	KLEIN 150X4X13MM Ø H=85MM 25°
FY30.8	175MM Ø 1610 SAE H=95MM 25°
FY30.7	180MM Ø BLANK H=95MM
FY30.18	180X8X14MM H=100MM
FY30.12	GWB 180X4X15MM Ø H=87MM 25°
FY30.1	KLEIN 180X4X15MM Ø H=85MM 25°
FY30.14	ALTERNATIVE 180X4X15MM Ø H=87MM 25°
FY30.3	GWB 180X4X15MM Ø H=108MM 44°
FY30.23	180X4X15MM Ø H=108MM 44°
FY30.5	GWB 180X10X16MM H=95MM 35°
FY30.21	180X10X16MM H=100MM 35°
FY30.10	GWB 203MM Ø 1810SAE (M11 HOLES) H=86MM
FY30.20	GWB 225X8X16MM Ø H=104MM 37°
FY30.9	GWB 225X8X16MM Ø H=90MM
FY30.24	225MM BLANK FLANGE H = 104MM
TUBE YOKE	110X5MM TUBE
TY30.3	GWB TO SUIT 110X5MM Ø 44° H=108MM
TY30.6	ALTERNATIVE TO SUIT 110X5MM Ø

BM REF #	COMMENTS / DESCRIPTION
2045 / 2047	687.45 & KLEIN 590SRS 52 X 147.2MM UJ
TUBE YOKE	120X4MM TUBE
TY30.1	TO SUIT 120X4MM Ø TUBE 25°
TY30.5	ALTERNATIVE TO SUIT 120X4MM Ø TUBE 25° H=95MM
TY30.7	ALTERNATIVE TO SUIT 120X4MM Ø TUBE 25° H=90MM
TY30.2	KLEIN TO SUIT 120X4MM Ø TUBE 44° H=95MM
TY30.8	KLEIN TO SUIT 120X4MM Ø TUBE 44° H=100MM USE WITH SA30.20
TUBE YOKE	120X5MM TUBE
TY30.4	KLEIN TO SUIT 120X5MM Ø TUBE 25° (AS 2047 SRS) H=108MM
MID ASSY	120X4MM TUBE
MA30.4	180X4X15MM KLEIN INC 65MM Ø BRG BMCB55 100MM S/O / 120X4MM 590 & 2045 DAF
MA30.12	180X4X15 INC H.D.KLEIN 65MM Ø BRG BMCB191 WITH FRAME SURROUND DAF
MA30.10	180X4X15MM INC 55MM Ø BRG BMCB80 120X4MM 2045 IVECO
MA30.3	180X4X15MM KLEIN INC 65MM Ø BRG BMCB45 80MM S/O / 120X4MM 590 IVECO
MA30.14	180X4X15MM INC 55MM Ø BRG BMCB193 80MM S/O / 120X4MM 590 IVECO
MA30.8	180X4X15MM INC MAN 65MM Ø CENTRE BRG BMCB46/1 / 120X4MM 2045
MA30.10	180X4X15MM INC 55MM Ø BRG BMCB80 120X4MM 2045 VOLVO & RENAULT
MA30.5	180X4X15MM INC 55MM Ø BRG BMCB80 80MM S/O 120X4MM 2045 VOLVO
MA30.18	180X4X15MM INC 60MM Ø BRG BMCB92 120X4MM TUBE VOLVO
MA30.7	203MM 1810SAE INC 60MM Ø BRG BMCB35 120X4MM TUBE RENAULT
MID ASSY	120X5MM TUBE
MA30.6	180X4X15MM INC 65MM Ø CENTRE BRG BMCB55 100MM S/O / 120X5MM 590 DAF
COMP FLANGE	
CF30.1	180X4X15MM 88MM S/O / 65MM Ø C/BRG BMCB45 IVECO GENUINE
CF30.3	180X4X15MM USE WITH MS30.2 MAN
CF30.2	180X4X15MM 108MM S/O / 65MM Ø C/BRG BMCB55 DAF GENUINE
CF30.7	180X4X15MM 18 SPLINES (USE WITH MS30.9 & BMCB92 OR BMCB92A) VOLVO VCE
MID STUB	120X4MM TUBE
MS30.1	120X4MM Ø TUBE (USE WITH BMCB55 OR BMCB45) DAF & IVECO H=153MM
MS30.2	120X4MM Ø TUBE ALTERNATIVE (USE WITH CF30.3 + BMCB46/1) MAN
MS30.5	120X4MM Ø TUBE (USE WITH CF76.3 + BMCB79) RENAULT H=151MM
MS30.9	120X4MM Ø TUBE (USE WITH CF30.7 & BMCB92 OR BMCB92A) 18 SPL VOLVO VCE
MID STUB	120X5MM TUBE
MS30.3	120X5MM Ø TUBE (USE WITH BMCB55 OR BMCB45) DAF & IVECO H=153MM
MS59.6	KLEIN - TO SUIT 120X5MM Ø TUBE USE & CF59.1 & 75MM Ø BRG DAF & IVECO
MID NUT & WASHER	
243.000.17121	MID NUT (M40x1.5)
261.000.03678	MID WASHER
SLEEVE	110X5MM TUBE
SL30.3	2045 TO SUIT SA30.2 110MM SLIP / 110X5MM Ø TUBE
SLEEVE	120X4MM TUBE
SL30.1	KLEIN TO SUIT SA30.3 110MM SLIP / 182MM LONG 120X4MM Ø TUBE
SL30.2	2045 TO SUIT SA30.1 110MM SLIP / 120X4MM Ø TUBE
MID SLEEVE	
SL30.8	2045 TO SUIT MAN SLIP MID SHAFT 120X4MM L=179MM (SEE ALSO SA30.18)
SL30.11	2045 TO SUIT MAN SLIP MID SHAFT 120X4MM L=170MM C/w BMCB190 FITTED

BM REF #	COMMENTS / DESCRIPTION
2045 / 2047	687.45 & KLEIN 590SRS 52 X 147.2MM UJ
SL30.9	2045 TO SUIT IVECO SLIP MID SHAFT 120X4MM L=296MM (SEE ALSO SA30.17)
SLEEVE	120X5MM TUBE
SL30.5	KLEIN TO SUIT SA30.5 110MM SLIP / 182MM LONG 120X5MM Ø TUBE
SEAL TUBE	
ST30.1	H=130MM TO SUIT SA30.3 / 110MM SLIP - KLEIN
ST30.2	H=132MM TO SUIT SA30.1 SA30.13 / 110MM SLIP - GWB
ST30.3	H=202MM TO SUIT SA30.14 / 180MM SLIP - GWB
ST30.6	H=200MM TO SUIT 180MM SLIP - KLEIN
U'JOINT	
BM135	52X147.2MM / CENTRE LUBE - KLEIN
BM338	52X147.2MM / CENTRE LUBE INC INA BEARINGS
BM338A	52X147.2MM ALTERNATIVE
BM319	52X147.2MM / (SFL) - KLEIN
BM319A	52X147.2MM / (SFL) - SPICER
BM319B	52X147.2MM 2045 (SFL) INA BEARINGS
BM536	52X147.2MM 2045 (SFL) SKF BEARINGS
BM651	52X147.2MM HIGH TEMPERATURE
CENTRE BRG	
BMCB80	55X200X18MM / SLOTTED RUBBER GENUINE VOLVO / RENAULT
BMCB34	REPLACED BY BMCB80
BMCB34A	55X200X18MM / SOLID RUBBER & LUBE DAF ALTERNATIVE
BMCB92	NORDISKA NK300 & NK400 (80 SHORE)
BMCB92A	NORDISKA NK300 & NK400 (80 SHORE)
BMCB45	65X200X18MM / SOLID RUBBER & SEAL IVECO ORIGINAL
BMCB126	65X200X18MM IVECO
BMCB55	65X200X18MM / STANDARD DAF
BMCB191	65X200X18MM SOLID RUBBER DAF - ORIGINAL KLEIN INC UPGRADED BRKT
BMCB194	75X220X26MM 2 PIECE SLIP MID SHAFT IVECO
BMCB94	75X220X20MM IVECO TWO PIECE SHAFT IVECO
BMCB104	75X230X18MM KLEIN MAN
BMCB88A	75X230X18MM GWB MAN.75
BMCB190	75X220X26MM 2 PIECE SHAFT MAN 84 SHORE
BMCB88	SUPERCEDED BY BMCB190
BMCB101	80X220X22MM KLEIN SLIP MID TYPE IVECO
CARDBOARD TUBE INSERTS	
210.000.14406	111.7X3.8MM TO SUIT 120X4MM Ø TUBE
TUBING	
310.000.93568	120X4MM Ø
TUBE120X5	120X5MM Ø



BM REF #	COMMENTS / DESCRIPTION
2050 / 687.50	49.2 X 154.7MM **LIMITED AVAILABILITY**

FLANGE YOKE

FY29.1 180X4X15MM H=85MM
 FY29.2 203MM 1810SAE (M10 HOLES) H=76.5MM

MID ASSY

MA29.1 180X4X15MM INC 55MM Ø LUBE BRG BMCB80 100MM S/O / 120X5MM Ø **DAF**
 MA30.7 203MM 1810SAE INC BMCB35 60MM Ø CONT BRG 110MM S/O / 120X4MM Ø TUBE

SLEEVE

SL29.1 FEMALE SLEEVE TO SUIT SA29.1 / 120X5MM Ø TUBE

SEAL TUBE

ST29.1 SEAL TUBE TO SUIT SA29.1

U'JOINT

BM127 49.2X154.7MM / CENTRE LUBE
 BM127A 49.2X154.7MM / CENTRE LUBE ALTERNATIVE

CENTRE BRG

BMCB34 REPLACED BY BMCB80
 BMCB34A 55X200X18MM / SOLID RUBBER & LUBE **DAF** ALTERNATIVE
 BMCB89 60X200X22MM **RENAULT KERAX**

TUBING

TUBE120X5 120X5MM Ø

BM REF #	COMMENTS / DESCRIPTION
2055 / 687.55 &	620 KLEIN 57 X 152MM - (SEE ALSO ELBE 0.120 SRS)

SHAFTS

620AS-42 **SEMI FINISHED** 180KV FLANGES 120X6MM Ø SLIDER L=2100MM FFC C/W SFL UJS UNWELDED
 620AS-27 180KV FLANGES 120X6MM Ø SLIDER L = 2100MM FFC C/W SFL UJS UNWELDED
 620GL-2 180KV FLANGES 120X6MM Ø MIDSHAFT L = 2100MM FF C/W LUBE UJS UNWELDED
 620GL-18 180KV FLANGES 120X6MM Ø MIDSHAFTL = 2100MM FF C/W LUBE UJS UNWELDED

YOKE SHAFT ASSY

SA59.2 **KLEIN** 110MM SLIP / H=287MM 120X6MM Ø TUBE 25°
 SA59.1 **SPICER** 110MM SLIP / H=287MM 120X6MM Ø TUBE 25°
 SA59.21 **SPICER** 110MM SLIP / H=287MM 120X6MM Ø TUBE 25° VOLVO LUBE IN SEAL TUBE
 SA59.17 **SPICER** 110MM SLIP / H=287MM 120X6MM Ø TUBE 35° WIDE ANGLE
 SA59.6 ALTERNATIVE 110MM SLIP / H=287MM 120X6MM Ø TUBE 25°
 SA59.7 ALTERNATIVE 110MM SLIP / H=287MM 110X6MM Ø TUBE 25°
 SA59.20 ALTERNATIVE 180MM SLIP / H=394MM 120X6MM TUBE 25°
 SA59.9 ALTERNATIVE 140MM SLIP / H=415MM 120X6MM Ø TUBE 25°

YOKE SHAFT ASSY

SA59.16 **9.01 DESIGN** **GWB** 2055 La.110MM / 120X6MM Ø TUBE W/o FL, UJ & ST H=287MM 27°
 SA59.19 **GWB** 2055 La.110MM / 120X6MM Ø TUBE W/o FL, UJ & ST H=266MM 35°

YOKE SHAFT ASSY

2055YSA-17 **9.03 DESIGN** SHORT COUPLE YSA H=210MM UJ CL (RILSAN) SPLINE 79X30D.5482
 2055YSA-12 SHORT COUPLE YSA W/O FL & UJ @ 230MM UJ CTRS CLOSED
 CAN SHORTEN TO 190MM UJS CTRS CLOSED La=60MM INC SEAL TUBE
 2055YSA-10 SHORT COUPLE YSA W/O FL & UJ @ 286MM UJ CTRS CLOSED La=50MM INC SEAL TUBE

BM REF #	COMMENTS / DESCRIPTION
2055 / 687.55 &	620 KLEIN 57 X 152MM - (SEE ALSO ELBE 0.120 SRS)
2055YSA-8	SHORT COUPLE YSA W/O FL & UJ 293MM UJ CTRS CLOSED La=60MM INC SEAL TUBE
2055YSA-4	SHORT COUPLE YSA W/O FL & UJ 333MM UJ CTRS CLOSED La=110MM CAN SHORTEN TO 273MM CTRS CLOSED La=50MM 2055SRS SPICER
2055YSA-9	SHORT COUPLE 2055 "ALT" H=313MM La.70MM 25°
2055YSA-2	SHORT COUPLE YSA W/O FL & UJ 505MM UJ CTRS CLOSED CAN SHORTEN TO 315MM UJ CTRS CLOSED
2055YSA-6	MAN SHORT COUPLE PROPSHAFT 8139325.6050 180X4X15MM FLANGES 500MM COMPRESSED 2055SRS SPICER SFL
2055YSA-15	SHORT COUPLE W/O FL & UJ H=318MM La.50MM UJ CL (25°)
SLIP-MID ASSY	
SA59.18	GWB SLIP MID ASSY MAN INC 85MM CTR BRG BMCB219 (84 SHORE) L=289MM *****REPLACEMENT FOR SA59.11*****
SA59.12	GWB SLIP MID ASSY IVECO C/W 85MM Ø (55 SHORE) BRG BMCB110 + GAITOR
SA59.15	GWB SLIP MID ASSY IVECO INC 85MM CTR BRG BMCB182 ** NEW IVECO **
GAITOR	
1000008401015	RUBBER BOOT / GAITOR TO SUIT SA59.11 & SA59.18
FLANGE YOKE	
FY59.9	150X4X13MM H=92MM 25° ORIGINAL KLEIN
FY59.1	180X4X15MM H=92MM 25° ORIGINAL KLEIN
FY59.6	180X4X15MM H=92MM 25° 2055 / 687.55 SPICER ORIGINAL
FY59.14	180X4X15MM H=92MM 25° 2055
FY59.10	180X4X15MM H=59MM (LOW ANGLE)
FY59.11	180X4X15MM H=102MM (WIDE ANGLE) 35°
FY58.1	180X10X16MM H=102MM
FY59.15	203MM 1810SAE H=57MM (11.2MM)
FY59.7	203MM 1810SAE (M11.1 HOLES) H=95MM
FY58.8	225MM Ø BLANK H=90MM
FY58.4	225X8X16MM H=95MM ** 587.42 **
FY58.20	225X12X16MM H=96MM 25 °
FY58.23	250X8X18MM H=100MM 24 °
FY58.24	250MM BLANK FLANGE H=100MM 24 °
FY58.15	1880 SAE FITTING H=100MM 24°
TUBE YOKE	
TY59.1	ORIGINAL KLEIN 120X6MM Ø TUBE 25° H=100MM
TY59.3	ALTERNATIVE 120X6MM Ø TUBE H=100MM
TY59.4	110X6MM Ø TUBE H=105MM
TY59.5	ORIGINAL SPICER 120X6MM TUBE 25° H=100MM
MID ASSY	
MA59.1	180X4X15MM INC 75MM Ø BRG BMCB26 H=107MM / 120X6MM Ø TUBE IVECO
MA59.2	180X4X15MM INC75MM Ø BRG BMCB74 H=107MM / 120X6MM Ø TUBE DAF
MA59.3	180X4X15MM INC 65MM Ø BRG BMCB46/2 H=87MM / 120X6MM Ø TUBE MAN
MA59.4	ALTERNATIVE 180X4X15MM INC 65MM Ø BRG H=87MM / 120X6MM Ø TUBE MAN
MA59.5	180X4X15MM INC 70MM Ø BRG BMCB52 H=107MM / 120X6MM Ø TUBE VOLVO
MA59.12	180X4X15MM INC 70MM Ø BRG BMCB192 H=107MM / 120X6MM Ø TUBE VOLVO
MA59.13	180X4X15MM C/W 70MM Ø BRG BMCB109 H=107MM / 120X6MM Ø TUBE VOLVO
MA59.6	180X4X15MM INC 70MM Ø BRG BMCB66 H=107MM / 120X6MM Ø TUBE IVECO
MA59.7	180X4X15MM INC 70MM Ø BRG BMCB54 H=107MM / 120X6MM Ø TUBE DAF
21096141	180X4X15MM COMP.FL + BRG BMCB109 C/w BOLT - GENUINE VOLVO O.E. 21096141
MA59.8	203MM (12X11.1MM)1810SAE INC 60MM Ø BRG BMCB79 H=110MM 120X6MM Ø RVI

BM REF #	COMMENTS / DESCRIPTION
2055 / 687.55 &	620 KLEIN 57 X 152MM - (SEE ALSO ELBE 0.120 SRS)
MID STUB	
MS59.1	KLEIN - TO SUIT 120X6MM Ø TUBE USE & CF59.1 & 75MM Ø BRG DAF & IVECO
MS59.2	USE WITH CF30.3 & BMCB46/1 TO SUIT 120X6MM Ø TUBE MAN
MS59.4	46 SPLINE USE WITH MN76.1 / CF76.1 & BMCB79 / BMCB42 120X6MM Ø TUBE RVI
MS59.6	KLEIN 592 SRS - TO SUIT 120X5MM Ø TUBE USE & CF59.1 & 75MM Ø BRG DAF
MID SLEEVE	
MS59.5	MID SPLINED SLEEVE- USE WITH CF59.2/10038/BMCB52, BMCB109, BMCB54 OR BMCB66 TO SUIT 120X6MM Ø TUBE FOR DAF/IVECO/VOLVO
COMP FLANGE	
CF59.1	DAF & IVECO 180X4X15MM USE WITH MS59.1 & 75MM Ø BRG
CF59.2	DAF/IVECO/VOLVO 180X4X15MM USE WITH MS59.2/10038/BMCB52,10038/BMCB52,BMCB109,BMCB54 OR BMCB66
CF59.2/1	DAF/IVECO/VOLVO 180X4X15MM USE WITH MS59.2/10038/BMCB52, BMCB109, BMCB54 OR BMCB66
CF59.7	VOLVO 180X4X15MM USE WITH 10038/MS59.5 & MS61.1 & BMCB192/1 O.E # 21078130
CF59.9	VOLVO 180X4X15 USE WITH BMCB257/1) 2 BOLT FIXING TYPE O.E. # 21081177
CF59.4	DIFF-FLANGE 180X4X15 DAF 1226149
CF59.5	DIFF-FLANGE 180X4X15 DAF 1287421
CF59.8	DIFF-FLANGE 180X4X15 10 SPLINE DAF 1300488
1287859	DIFF-FLANGE 180X4X15 10 SPLINE DAF98XF 1287859 31 SPLINES
CF30.5	203MM 1810 SAE 12 BOLT USE WITH MS59.2
CF59.6	180X4X15MM WITH 23MM PILOT BORE HOLE BOSS DIA 118MM H = 125MM
BOLT	
10038	BOLT TO SUIT MS59.5 & CF59.2
NUT & WASHER	
243.000.17121	MID NUT (M40x1.5)
261.000.03678	MID WASHER
MN76.1	MID NUT TO SUIT MS59.4
MID NUT TOOL	
1240082	MID NUT TOOL
SLEEVE	
SL59.1	TO SUIT SA59.1 / 120X6MM Ø TUBE GWB
SL59.2	TO SUIT SA59.2 / 120X6MM Ø TUBE KLEIN
SL59.3	MAN TO SUIT YS59.1 & BMCB110, BMCB165 & BMCB219 2 PIECE SLIP MID SHAFT
SL59.6	MAN 2055 SRS SLIP MID SLEEVE INCLUDING 85MM BMCB219 CTR BRG FITTED
SEAL TUBE	
ST30.1	TO SUIT SA59.2 130MM LONG - KLEIN
ST59.1	TUBE TO SUIT SA59.1 - GWB
U'JOINT	
BM143	57X152MM / CENTRE LUBE GENUINE KLEIN
BM144	57X152MM / CENTRE LUBE INA BRGS 587.42
BM144/1	57X152MM / CENTRE LUBE INA BRGS 2055
BM144A	57X152MM / CENTRE LUBE ALTERNATIVE
BM602	57X152MM / INC LUBE IN ALL 4 BRG CAPS
BM715	57X152MM KEMPF 1000.1096.955 WITH CTR LUBE & LUBE IN 4 BRG CAPS
BM262	57X152MM / NON LUBE GENUINE KLEIN SFL
BM262A	57X152MM / NON LUBE GWB SFL
BM262B	57X152MM / NON LUBE SFL INA BEARING CAPS
BM539	57X152MM / NON LUBE SKF BEARING CAPS (SFL) MAINTENANCE FREE

BM REF #	COMMENTS / DESCRIPTION
2055 / 687.55 &	620 KLEIN 57 X 152MM - (SEE ALSO ELBE 0.120 SRS)

BM710	57X172MM HIGH TEMP 60 - 140 DEG CENT FOR RAIL APPPLICATIONS
BM714	57X152MM KEMPF 1000.1096.950 C/w SKF BRG CAPS
CENTRE BRG	
BMCB208	60X219X36MM VOLVO & RENAULT KERAX H=84.6MM (PICTURE # 208)
BMCB52	70X220X20MM SLOTTED RUBBER & MTG HOLES ORIGINAL / VOLVO 1068222
BMCB109	70X220X20MM SLOTTED RUBBER & 2 X SEALS ORIGINAL / VOLVO 20471428
BMCB54	70X220X20MM / SOLID RUBBER DAF
BMCB192/1	70X220/230X26MM SPICER VOLVO 2055/2060 SRS VOLVO- NOW USE BMCB257
BMCB257/1	70X220/230X26MM SPICER VOLVO 2055/2060 SRS VOLVO
BMCB74	75X220X19MM / SOLID RUBBER & SEAL DAF
226.620.16344	CENTRE BRG OUTER CASING ONLY FOR BMCB26 & BMCB74
BMCB26	75X220X19MM / STANDARD IVECO
BMCB101	80X220X22MM KLEIN MAN
BMCB182	85X220X13MM ORIGINAL GWB 2055SRS 2 PIECE SLIP MID
BMCB219	85X220X26MM ORIGINAL GWB 2055SRS 2 PIECE SLIP MID (SHORE 84) MAN

CARDBOARD TUBE INSERTS

210.000.13660	107.7X6.3MM TO SUIT 120X6MM Ø TUBE
---------------	------------------------------------

TUBING

310.000.93458	120X6MM
---------------	---------



BM REF #	COMMENTS / DESCRIPTION
680 KLEIN	57 X 172MM

YOKE SHAFT ASSY

SA62.1	ORIGINAL KLEIN 110MM SLIP / 140X5MM L=355MM
--------	--

FLANGE YOKE

FY62.1	180X10X16MM H=110M
FY62.2	180X4X15MM H=100MM

TUBE YOKE

TY62.1	TO SUIT 140X5MM Ø TUBE H=110MM
--------	--------------------------------

MID ASSY

MA62.1	180X4X15MM INC 60MM Ø BRG BMCB78 140X5MM Ø TUBE IVECO/DAF H=107MM
MA62.2	180X10X16MM INC 60MM BRG BMCB78 140X5MM Ø TUBE IVECO/ DAF H=107MM

MID STUB

MS62.1	TO SUIT 140X5MM Ø TUBE & 60MM Ø CTR BRG BMCB78 H=175MM
--------	--

COMP FLANGE

CF62.2	180X4X15MM TO SUIT MS62.1
CF62.1	180X10X16MM TO SUIT MS62.1

MID NUT & WASHER

243.000.17121	MID NUT (M40x1.5)
261.000.03678	MID WASHER

BM REF #	COMMENTS / DESCRIPTION
680 KLEIN	57 X 172MM

MID NUT TOOL

1240082 MID NUT TOOL

SEAL TUBE

ST62.1 SEAL TUBE TO SUIT SA62.1 H=160MM

U'JOINT

BM145 57X172MM / CENTRE LUBE **GENUINE KLEIN**
 BM145A 57X172MM / CENTRE LUBE ALTERNATIVE
 BM424 57X172MM **KLEIN 680 SRS** NON LUBE **IVECO & DAF**

CENTRE BRG

BMCB78 60X220X36MM / CAST BRKT **DAF & IVECO ROUND BOLT HOLES - KLEIN**
 BMCB78A 60X220X36MM / CAST BRKT **DAF & IVECO ROUND BOLT HOLES**

CARDBOARD TUBE INSERTS

210.000.14391 107.7X6.3MM TO SUIT 120X6MM Ø TUBE

TUBING

310.000.93485 140X5MM Ø
 310.000.93594 150X5MM Ø

BM REF #	COMMENTS / DESCRIPTION
2060 / 687.60	59 X 167.7MM

SLIP ASSY

SA61.5 SLIPASSY 2060 180X4X15 130X6MM SFL H=385MM La=110MM

YOKE SHAFT ASSY

SA61.1 110MM SLIP / 130X6MM Ø TUBE L=285MM
 SA61.3 110MM SLIP / 130X6MM Ø TUBE L=315MM
 SA61.4 110MM SLIP / 130X6MM 9.01 25° - CAN INSERT TUBE YOKE
 FOR SHORT COUPLE USE WITH ST61.1 SEAL TUBE

SLEEVE

SL61.1 TO SUIT SA61.2 TUBE 130X6MM

SEAL TUBE

ST61.1 SEAL TUBE TO SUIT SA61.1 H=132MM

FLANGE YOKE

FY61.1 180X4X15MM H=103MM 27°
 FY61.2 180X10X16 H=100MM
 FY61.3 203MM 1810SAE (M10 HOLES) H=95MM ****LIMITED STOCK****
 FY61.4 203MM 1810SAE (M11 HOLES) H=95MM

TUBE YOKE

TY61.1 TO SUIT 130X6MM Ø TUBE H =105MM
 TY61.3 TO SUIT 130X6MM Ø TUBE H=105MM
 TY61.2 TO SUIT 120X6MM Ø TUBE

MID ASSY

MA61.1 180X4X15MM INC 70MM Ø BRG BMCB54 / 130X6MM Ø HARD RUBBER **DAF**
 MA61.2 180X4X15MM INC 70MM Ø BRG BMCB66 / 130X6MM Ø SLOTTED RUBBER **IVECO**
 MA61.3 180X4X15MM INC 70MM Ø BRG BMCB52 / 130X6MM Ø SLOTTED RUBBER **VOLVO**
 MA61.5 180X4X15MM INC 70MM Ø BRG / 130X6MM Ø **VOLVO 2 BOLT FITTING**
 MA61.7 180X4X15MM INC 70MM Ø BRG BMCB319 / 130X6MM Ø **MAN 2 BOLT FITTING**
 MA59.8 203MM (12X11.1MM)1810SAE INC 60MM Ø BRG BMCB79 120X6MM Ø **RVI**

MID SLEEVE

MS61.1 MID SPLINED SLEEVE- USE WITH CF59.2/10038/BMCB52, BMCB109, BMCB54 OR BMCB66 TO SUIT 130X6MM Ø TUBE **FOR DAF/IVECO/VOLVO**

BM REF #	COMMENTS / DESCRIPTION
2060 / 687.60	59 X 167.7MM

COMP FLANGE

CF59.2 180X4X15MM USE WITH CF59.2/10038/BMCB52,BMCB109,BMCB54
OR BMCB66 **FOR DAF/IVECO/VOLVO**
CF59.9 **VOLVO** 180X4X15 USE WITH BMCB257/1) 2 BOLT FIXING TYPE O.E. # 21081177

BOLT

10038 BOLT TO SUIT MS61.1 & CF59.2

U'JOINT

BM147 59X167.7MM / CENTRE LUBE **ORIGINAL SPICER/GWB**
BM237 59X167.7MM / CENTRE LUBE
BM238 59X167.7MM / SFL VERSION **ORIGINAL SPICER/GWB**
BM238A 59X167.7MM / SFL **INA BRG CAPS**
BM348 59X167.7 / MECHANICS 79X137MM **RENAULT**

CENTRE BRG

BMCB319 70X220X20MM SLOTTED RUBBER & ROUND MTG HOLES **MAN**
BMCB52 70X220X20MM SLOTTED RUBBER & MTG HOLES **VOLVO**
BMCB109 70X220X20MM SLOTTED RUBBER & MODIFIED SEAL **VOLVO**
BMCB192/1 70X220/230X26MM SPICER VOLVO 2055/2060 SRS **VOLVO - NOW USE BMCB257**
BMCB257/1 70X220/230X26MM SPICER VOLVO 2055/2060 SRS **VOLVO** OE REF # 25641426
BMCB331 70X220/230X26MM SPICER VOLVO 2055/2060 SRS **VOLVO** OE REF # 22611720
BMCB54 70X220X20MM / **SOLID RUBBER & SLOTTED MTG HOLES DAF**
BMCB66 70X220X20MM / **SLOTTED RUBBER ROUND MTG HOLES IVECO**
BMCB206 70X220X26MM IVECO O.E. REF # 42565564

CARDBOARD TUBE INSERTS

210.000.14391 129.7X4.8MM TO SUIT 140X5MM Ø TUBE

TUBING

TUBE130X6 130X6MM Ø
TUBE180X4 180X4MM Ø



BM REF #	COMMENTS / DESCRIPTION
2065 / 687.65 &	700 SRS KLEIN 65 X 172MM (SEE ALSO ELBE 0.122 SRS)
SHAFT ASSY	
700YSA-2	YSA W/O FL & UJ 292MM UJ CTRS La=60MM (CAN BE REDUCED TO 248MM UJ CTRS)
2065YSA-2	YSA W/O FL & UJ 240MM UJ CL La=50MM (9.06) C/w SEAL TUBE
2065YSA-5	YSA W/O FL & UJ 303MM UJ CL La=70MM (9.03) C/w SEAL TUBE
2065YSA-8	YSA W/O FL & UJ 525MM UJ CL La=110MM (9.03) C/w SEAL TUBE (CAN BE REDUCED TO 420MM UJ CTRS)
YOKE SHAFT ASSY	
SA63.1	KLEIN 150MM SLIP TO SUIT 140X5MM OR 142X6MM Ø TUBE H=413MM
SA63.5	SPICER 110MM SLIP TO SUIT 140X5MM OR 142X6MM Ø TUBE H=308MM (27°)
SA63.7	110MM SLIP TO SUIT 140X5MM OR 142X6MM Ø TUBE (27°) H=340MM
SA63.4	SPICER SLIPASSY 2065 SHORT COUPLE ASSY H=308MM 9.01 DESIGN
SA63.9	ELBE 0.122 SRS SLIPASSY 120X6MM H=384MM
YOKE SHAFT ASSY 9.01 DESIGN	
SA63.4	GWB 110MM SLIP 142X6MM Ø TUBE YOKE W/O FLANGE & UJ H=308MM (27°)
SLEEVE	
SL63.1	TO SUIT KLEIN SA63.1 / 140X5MM Ø TUBE L=293MM
SEAL TUBE	
ST63.1	TO SUIT SA63.1 KLEIN SEAL TUBE
GREASE SEAL	
212.700.15747	GREASE SEAL TO SUIT ST63.1
FLANGE YOKE	
FY63.3	180X4X15MM H=100MM ORIGINAL KLEIN
FY63.3/1	180X4X15MM H=105MM ORIGINAL SPICER
FY63.19	180X4X15MM H=75MM
FY63.8	180X8X14MM H=110MM
FY63.4	180X10X16MM H=110MM
FY63.15	203MM 1810SAE (M11.1 HOLES) H=110MM
FY63.9	225MM Ø BLANK H 110MM
FY63.6	225X8X16MM H=110MM
FY63.25	225X8X16MM H=110MM ORIGINAL SPICER
FY63.2	225X12X16 H=110MM
FY63.11	250X8X18MM
FY63.7	250X12X18MM
FY63.10	1900SAE (BLANK)
FY63.12	1900 SAE 276.2MM Ø
FY63.17	1880 SAE FITTING H=110MM
FY63.21	205X10X18 H=110MM PCD=170MM FLANGE FEMALE SPIGIOT 140MM ZF APPLICATION
FY63.18	250MM Ø BLANK H= 110MM
TUBE YOKE	
TY63.1	KLEIN TO SUIT140X5MM & 142X6MM Ø TUBE
TY63.2	TO SUIT140X5MM & 142X6MM Ø TUBE
MID ASSY	
MA63.1	180X10X16MM INC 70MM Ø BRG BMCB85 / 140X5MM Ø TUBE L=181MM S/O=107MM
MA63.2	180X4X15MM INC 70MM Ø BRG BMCB85 / 140X5MM Ø TUBE L=181MM S/O=107MM
MA63.5	180X4X15MM INC Ø 70MM BRG 2 BOLT FITTING / 140X5MM Ø TUBE S/O = 107MM

BM REF #	COMMENTS / DESCRIPTION
2065 / 687.65 &	700 SRS KLEIN 65 X 172MM (SEE ALSO ELBE 0.122 SRS)

MID STUB

MS63.1 TO SUIT 140X5MM Ø TUBE 70MM CTR BRG BMCB85

COMP FLANGE

CF63.2 180X4X15MM TO SUIT MS63.1

CF63.1 180X10X16MM TO SUIT MS63.1

MID NUT & WASHER

261.700.15477 MID WASHER

243.000.16341 MID NUT

U'JOINT

BM148 **KLEIN** 65X172MM / CENTRE LUBE GENUINE

BM148A ALTERNATIVE TO BM148 65X172MM

BM268 **KLEIN** 65X172MM / NON LUBE GENUINE INC SKF BRG CAPS

BM685 687.55 / 2065 SRS INC INA BRG CAPS

BM640 GWB 4 POINT LUBE (**LUBE IN EACH BRG CAP**)

BM548 P600 SCANIA 65X190MM / 587.48 COMBINATION

BM778 687.65 / 2065 SPICER CENTRE LUBE

BM709 687.65 HIGH TEMP 60- 140 DEG CENT FOR RAIL APPLICATIONS

CENTRE BRG

BMCB135 70X220X20MM CAST BRACKET **IVECO**

BMCB85 70X220X45MM / CAST BRKT DAF SLOTTED BOLT HOLES

BMCB52 70X220X20MM SLOTTED RUBBER & MTG HOLES **VOLVO**

BMCB54 70X220X20MM / SOLID RUBBER DAF 2055, 2060 & 2065 **DAF**

BMCB66 70X220X20 SLOTTED RUBBER ROUND MTG HOLES **IVECO**

CARDBOARD TUBE INSERTS

210.000.14391 129.7X4.8MM TO SUIT 140X5MM Ø TUBE

TUBING

310.000.93485 140X5MM Ø

310.000.93594 150X5MM Ø

GWB 228 SRS SHAFTS C/W RUBBER COUPLINGS

SHAFT ASSY WITH CENTRE DEVICE

228.00AS-1 SHAFT INC 90X4X8 COUPLINGS

228.10AS-1 SHAFT INC 100X6X8 COUPLINGS

228.20AS-1 SHAFT INC 120X8X8 COUPLINGS

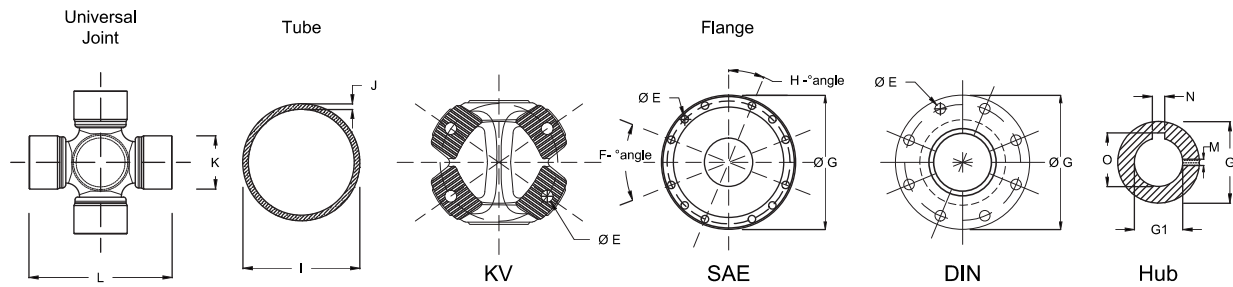
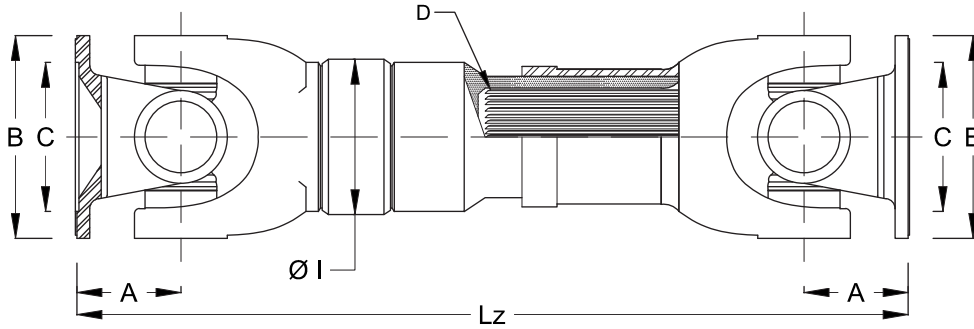
228.30AS-1 SHAFT INC 150X8X10 COUPLINGS

128.65AS-1 SHAFT INC 150X8X12 COUPLINGS

128.40AS-1 SHAFT INC 180X8X12 COUPLINGS

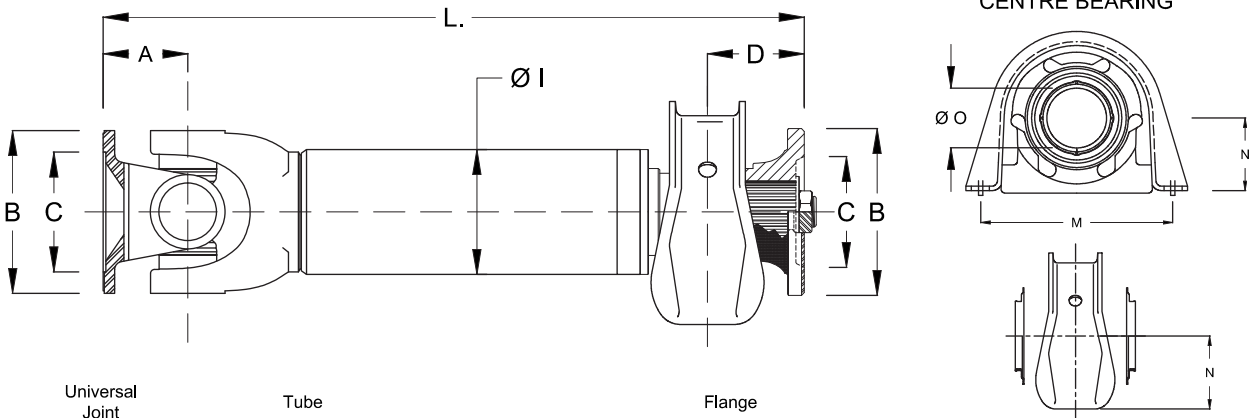
228.40AS-1 SHAFT INC 180X8X12 COUPLINGS

228.50AS-1 SHAFT INC 180X8X12 COUPLINGS



TECHNICAL QUESTIONNAIRE FOR DRIVE SHAFT

SHAFT		FLANGE			UNIVERSAL JOINT / TUBE		
A:	B:	E:	F:	G:	I:	J:	X
C:	D:	H:	M:	N:	K:	L:	
Lz.:	La.:	O:	G1:		Lube type:		



TECHNICAL QUESTIONNAIRE FOR COUPLING SHAFT

SHAFT		FLANGE / CENTRE BEARING			UNIVERSAL JOINT / TUBE		
A:	B:	E:	F:	G:	I:	J:	X
C:	D:	H:	M:	N:	K:	L:	
Lz.:		O:			Lube type:		

GWB 587 SRS & KLEIN STYLE COMPONENTS



BM REF #	COMMENTS / DESCRIPTION
473.10	15X40.1MM
FLANGE YOKE	
FY120.2	FLANGE 58X4X5MM H=29MM
FY120.1	FLANGE 65X4X6MM H=29MM
SLIP ASSY	
SA473.10	58X4X5MM TO SUIT 28X1.5MM H=159MM
SLEEVE YOKE	
SL120.1	SLEEVE YOKE 473.10 H=96MM 30° 22X2X19 DIN5482
SLIP STUB	
SS120.1	SLIP STUB 473.10 H=114MM 28X1.5MM TUBE 22X2X19 DIN5482
TUBE YOKE	
TY120.1	TO SUIT 28X1.5MM H=32MM
U'JOINT	
BM01	15X40.1MM 473.10 END LUBE
TUBING	
TUBE28X1.5	ELBE 0.105 & GWB 473.10 SRS

BM REF #	COMMENTS / DESCRIPTION
473.20	19 X 48MM UJ
FIXED JOINT	
FE97.1	65X4X6MM FIXED JOINT ASSY - 72MM WELD TO FLANGE FACE
SLIP JOINT	
SA97.1	65X4X6MM SLIP JOINT ASSY
FLANGE YOKE	
FY97.1	65X4X6MM H=32MM
FY97.2	65X4X6MM H=38MM
FY97.3	75X6X6MM H=32MM
TUBE YOKE	
TY97.1	TO SUIT 38X2.5MM Ø TUBE H=40MM
SLIP STUB	
SS97.1	TO SUIT 38X2.5MM Ø TUBE H=110MM
SLEEVE YOKE	
SL97.1	H=88MM
SPLINED BAR	
2473301900550	LENGTH = 555MM SPLINE 25X22
SLEEVE	
247320800000	SLEEVE TO SUIT SPLINED BAR 2473301900550 H=88MM

BM REF #	COMMENTS / DESCRIPTION
473.20	19 X 48MM UJ

END YOKE

2473203000135 END YOKE FOR SPLINED BAR H=60MM

U'JOINT

BM10 19X48MM CENTRE LUBE

BM460 19X48MM END LUBE

TUBING

TUBE38X2.5 38X2.5MM Ø

BM REF #	COMMENTS / DESCRIPTION
473.30	22 X 58.9MM UJ

U'JOINT

BM23 22X58.9MM 473.20 SRS CTR LUBE

FLANGE YOKE

FY117.7 75MM DIAMETER BLANK H=39MM 30°

FY117.1 75X6X6MM H=39MM 30 DEGREES

FY117.2 75X6X6MM H=45MM 35 DEGREES

FY117.8 90MM DIAMETER BLANK H=39MM 30°

FY117.3 90X4X8MM H=32MM 25 DEGREES

FY117.4 90X4X8MM H=39MM 30 DEGREES

FY117.6 97X4X9.6MM 1310SAE H=39MM 30°

FY117.9 100MM DIAMETER BLANK H=42MM 35°

FY117.5 100X6X8MM H=42MM 35 DEGREES

TUBE YOKE

TY117.1 40X2MM H=40MM 35°

TY117.2 50X1.8MM H=40MM 25°

BM REF #	COMMENTS / DESCRIPTION
287.00	26 X 69.8MM

SHAFT ASSY

287.00AS-2 PROPSHAFT WELDED ONE END TUBE Ø 50X3MM FLANGE 90X4X8MM

SLIP ASSY

SA40.3 90X4X8MM 50X3MM Ø TUBE H=295MM

FIXED END

FE40.2 87X4X8.1MM 1140SAE 50X3MM Ø TUBE H=102MM

FLANGE YOKE

FY40.12 90X4X8MM H=40MM

FY40.8 1140 SAE H=52MM

FY40.7 1310 SAE H=52MM

FY40.17 122X4X10 H=42MM MERCEDES VITO

U'JOINT

BM193 26X69.8MM CENTRE LUBE

BM697 26X69.8MM CENTRE LUBE - INC METAL SEALS

BM221 26X69.8MM END LUBE

BM46 26X69.8MM PLUGGED / SFL **EXT. CIRCLIP U741**

TUBE YOKE

TY40.5 TO SUIT 60X3MM H=40MM MERCEDES VITO

YOKE SHAFT

YS40.2 YOKESHAFT 26X70MM L=163MM VITO ALT USE WITH SL40.2 & SL40.3

SLEEVE

SL40.2 TUBE SLEEVE 26X70MM 60X2MM H=152MM VITO - USE WITH YS40.2

SL40.3 TUBE SLEEVE 26X70MM 60X2MM H=77MM VITO - USE WITH YS40.2

BM REF #	COMMENTS / DESCRIPTION
287.10	30 X 81.8MM UJ
SHAFT ASSY	
287.10AS-6	PROPSHAFT WELDED ONE END FLANGES 1310SAE INC 1000MM TUBE 50X3MM Ø
287.10AS-2	PROPSHAFT WELDED ONE END FLANGES 1410SAE INC 1000MM TUBE 50X3MM Ø
287.10AS-3	PROPSHAFT WELDED ONE END FLANGES 120X8X8MM INC 1000MM TUBE 50X3MM Ø
287.10AS-5	PROPSHAFT WELDED ONE END FLANGES 100X6X8MM L=1500MM 50X3MM Ø
287.10AS-4	PROPSHAFT WELDED ONE END FLANGES 100X6X8MM L=1500MM 60X3MM Ø
YOKE SHAFT ASSY	
287.10YSA-4	287.10 YSA LENGTH=294MM UJ CL La.60MM (35°)
SLIP ASSY	
SA42.3	TO SUIT 50X3MM Ø TUBE H=243MM 110MM SLIP
SA42.10	TO SUIT 50X3MM Ø TUBE H=245MM 110MM SLIP 35°
SA42.2	TO SUIT 50X3MM W/o FL&UJ H=202MM 110MM SLIP
SA42.6	TO SUIT 70X3MM Ø TUBE H=270MM 110MM SLIP
SA42.9	TO SUIT 60X3MM Ø TUBE H=245MM 110MM SLIP
SA42.11	TO SUIT 3X0.095" Ø TUBE H=220MM 110MM SLIP 35°
SA42.15	TO SUIT 90X3MM Ø TUBE H=???MM 110MM SLIP 35°
FLANGE YOKE	
FY42.26	97X4X10MM 1310 SRS H=58MM 35° 1310 SAE
FY42.20	100X4X9MM 100KV H=??
FY42.19	100X6X8MM H=58MM 35° C/w CENTRE HOLE IN FACE
FY42.6	100X6X8MM H=58MM 35°
FY42.3	100X8X8MM H=48MM - MERCEDES G WAGEN
FY42.7	100X8X8MM H=58MM
FY42.27	116X4X11MM H=58MM 35° 1410SAE 11.1MM HOLES
FY42.5	116X4X11MM H=48MM 35° 1410SAE 11.1MM HOLES
FY42.29	116X4X11MM H=58MM 35° 1410SAE 12.2MM HOLES
FY42.2	120X4X10MM MERCEDES SPRINTER
FY42.4	120X8X8MM H=48MM
FY42.30	120X8X10MM H=60MM 35°
FY42.31	120X8X8MM H=60 MM 35°
TUBE YOKE	
TY42.2	50X3MM Ø TUBE H=55MM 35°
TY42.4	60X3MM TUBE Ø H=55MM
TY42.1	70X2MM TUBE Ø H=55MM
TY42.5	76X2.41MM (3.0X.095") TUBE Ø H=45MM 25°
TY42.3	80X2MM TUBE Ø H=55MM
TY42.9	90X3MM TUBE Ø H=58MM
END YOKE	
EY42.1	END YOKE 30MM BORE W/o KEY H=90MM
U'JOINT	
BM71	30X81.8MM / CENTRE LUBE U742 / GUA-10
BM71/1	30X81.8MM 287.10 CENTRE LUBE INA BRG CAPS
BM491	30X81.8MM / NON LUBE
BM553	30X81.08MM / 4 X END LUBE
TUBING	
TUBE50X3	50X3MM Ø
TUBE60X3	60X3MM Ø

BM REF #	COMMENTS / DESCRIPTION
587.10 (287.20)	35 X 96.8MM UJ
SHAFT ASSY	LIMITED AVAILABILITY SEE ELBE SECTION SERIES 0.112 35X97MM
0012250YSA	YSA LESS FLANGE & UJ / 288MM UJ CENTRES (INCLUDES DUST CAP)
587.10AS-2	WELDED ONE END 58710 120X8X10 70X3MM La=120MM SLIP L = 1600MM F-F
587.10AS-5	WELDED ONE END 58710 120X8X8 70X3MM La=110MM SLIP L = 1000MM F-F
587.10AS-4	WELDED ONE END 58710 1410SAE (M11)70X3MM La=120MM SLIP L = 1050MM F-F
SLIP ASSY	
SA73.9	SLIPASSY 58710 70X3MM La.110MM H=270MM 35°
SA73.12	SLIPASSY 58710 120X8X10 70X3MM La.110MM H=325MM 35°
FLANGE YOKE	
FY73.7	100MM BLANK H=65MM
FY73.2	100X6X8 MM H=65MM
FY73.8	116X4X11MM 1410 SAE H=56MM
FY73.20	116X4X11MM 1410 SAE H=70MM 35°
FY73.3	120X6X10 H=70MM
FY73.4	120X8X8 H=56MM
FY73.9	120X8X8 H=70MM
FY73.6	120X8X10 H=56MM
FY73.11	120X8X10 H=70MM
FY73.15	150X8X10MM H=56MM
FY73.16	150X8X12MM H=56MM
TUBE YOKE	
TY73.1	TO SUIT 70X3MM Ø TUBE H=68MM
TY73.4	TO SUIT 70X3MM Ø TUBE H=70MM 35°
U'JOINT	
BM90	35X96.8MM / CENTRE LUBE
BM207	35X96.8MM / END LUBE
BM716	35X96.8MM / SFL C/w INA BRG CAPS
BM872	35X96.8MM / 4X END LUBE C/w INA BRG CAPS
TUBING	
TUBE70X3	70X3MM Ø
TUBE70X4	70X4MM Ø

BM REF #	COMMENTS / DESCRIPTION
587.15 / 253	42 X 104.5MM UJ
SHAFT ASSY	
0012742YSA	"GERMAN ALT" YSA (9.03) L.360MM UJ CL - La.110mm
587.15YSA-1	"GERMAN ALT" YSA (9.03) L.380MM UJ CL - La.40MM
587.15YSA-7	YSA 587.15 365MM-240MM UJ CL La.100MM WITH SEAL TUBE & PLUG - 55X2.5 SPLINE
587.15YSA-8	YSA 587.15 175MM UJ CL La.35MM
SLIP ASSY	
SA46.1	KLEIN La.110MM / 80X3.5MM Ø TUBE H=299MM 35°
SA46.2	La.160MM / 80X3.5MM Ø TUBE H=328MM 35°
SA46.3	La.250MM / 80X3.5MM Ø TUBE H=393MM 35°
SA46.4	La.110MM / 80X3.5MM Ø TUBE H=278MM 35°
FLANGE YOKE	
FY46.8	120X4X11MM H=75MM 35°
FY46.9	120X4X10.5MM H=75MM SPIRAL SERRATION UNIMOG 26 TEETH 35°
FY46.1	120X8X10MM H=75MM
FY46.18	120X8X10MM H=75MM 35°
FY46.22	130X8X10MM H=70MM MERCEDES (MALE SPIGOT82.4MM)

BM REF #	COMMENTS / DESCRIPTION
587.15 / 253	42 X 104.5MM UJ
FY46.5	146X4X14.2M .1510SAE (M14.2 HOLES) H=80MM
FY46.6	150X8X10MM H=62MM
FY46.7	150X8X12MM H=80MM 35°
TUBE YOKE	
TY46.1	80X3.5MM Ø TUBE 35°
TY46.2	52X4MM Ø TUBE 35° MERCEDES UNIMOG
TY46.3	80X3.5MM Ø TUBE 35°
MID ASSY	
MA46.1	120X8X10MM W/o BRG BMCB25 / 80X3.5MM Ø TUBE 587.15
MA46.2	150X8X12MM INC BMCB33 55MM BRG / 80X3.5MM Ø TUBE 587.15 DAF
MID STUB	
MS46.4	INDUSTRIAL MID STUB 45MM Ø 80X3.5MM 45X2.5 H=141MM
MID NUT	
MN46.1	MID NUT 587.15 SRS 27X1.5
COMP FLANGE	
CF56.1	COMP-FLANGE 58730 150X8X12 55MM BRG TO SUIT MS46.4
SLEEVE	
SL46.1	TO SUIT SA46.1 / 80X3.5MM Ø TUBE
SL46.2	TO SUIT 80X3.5MM Ø TUBE / H=118MM - UNIMOG
SEAL TUBE	
ST46.1	TO SUIT SA46.1
GREASE SEAL	
212.253.04005	TO SUIT ST46.1
U'JOINT	
BM107	42X104.5MM / CENTRE LUBE - KLEIN
BM576	42X104.5MM / CENTRE LUBE - INA BRG CAPS
BM521	42X104.5MM SKF MAINTENANCE FREE
BM836	42X104.5MM SFL MAINTENANCE FREE
CENTRE BRG	
BMCB25	45X200X19MM TRACK SOLID RUBBER MAN
BMCB33	55X200X36MM / WIDE TRACK 587.15
BMCB33A	55X200X36MM / WIDE TRACK 587.15 - ALTERNATIVE
TUBING	
310.000.93419	80X3.5MM Ø TUBE
587.20 / 375	48 X 116.5MM UJ
SHAFT ASSY	
375YSA-3	DAF COACH SHAFT @ 540MM FFC 165X8X16
375YSA-2	YSA W/O FL & UJ 260MM UJ CTRS CLOSED (CAN BE REDUCED TO 225MM UJ CTRS) ** SUPPLIED AT MAX LENGTH OF 350MM UJ CTRS DUE TO EXTENDED SLEEVE**
375YSA-4	YSA ** RILSAN ** W/O FL & UJ (365MM UJ CENTRES CAN SHORTEN TO 240MM) (SUPPLIED WITH SEAL TUBE + SEAL)
SLIP ASSY	
SA51.1	La.110MM / 85X5MM Ø TUBE H=312MM 35°
SA51.2	La.160MM / 85X5MM Ø TUBE H=367MM 35°
FLANGE YOKE	
FY51.8	122X4X11MM H=75MM - UNIMOG 26 TEETH
FY51.16	122X4X13MM H=75MM - UNIMOG

BM REF #	COMMENTS / DESCRIPTION
587.20 / 375	48 X 116.5MM UJ
FY51.10	150MM Ø DIN BLANK
FY51.5	150X4X13MM KV H=86MM 35°
FY51.1	150X8X10MM H=86MM 35°
FY51.2	150X8X12MM H=86MM 35°
FY51.13	165X8X16MM H=86MM
FY51.7	174X8X9.6MM 1610SAE H=86MM FORD
FY51.6	180X8X14MM H=86MM
FY51.20	180X10X16MM H=90MM
FY51.4	180MM Ø DIN BLANK H=86MM
FY51.9	203X8X9.6MM 1710SAE H=86MM
FY51.17	6C MECHANICS FLANGE YOKE C.V. H=75MM
FY51.18	150X8X12 FLANGE YOKE C.V. H=75MM
FY51.19	150X4X13 KV FLANGE YOKE C.V. H=75MM
FY51.12	174X8X9.6MM 1610SAE FLANGE YOKE C.V. H=75MM
TUBE YOKE	
TY51.1	TO SUIT 85X5MM Ø TUBE H=85MM 35°
TY51.2	TO SUIT 35MM SOLID BAR UNIMOG
TY51.3	TUBE YOKE C.V TO SUIT 85X5MM Ø H=85MM
MID ASSY	
MA51.1	150X8X12MM INC 55MM Ø BRG / 85X5MM Ø TUBE 587.20 DAF & IVECO
MA51.2	150X4X13MM INC 65MM Ø BRG BMCB55 95MM S/O / 85X5MM Ø TUBE DAF
MA51.3	176MM 1610SAE INC 55MM Ø BRG / 85X5MM Ø TUBE FORD
COMP FLANGE	
CF37.1	KLEIN 150X4X13MM 103MM S/O / TO SUIT 65MM Ø C/BRG BMCB55 DAF
MID STUB	
MS51.1	KLEIN 85X5MM Ø TUBE TO SUIT 55MM Ø CTR.BRG BMCB33 DAF, FORD & MAN
MS51.2	KLEIN 85X5MM Ø TUBE USE WITH BMCB55 & CF37.1 DAF
DOUBLE JOINT	
DJ51.1	JOINT COMPLETE 150X8X12MM 85X5MM Ø TUBE
DJ51.2	JOINT COMPLETE 175MM (1610SAE) 85X5MM Ø TUBE
DJ51.3	JOINT COMPLETE 587.20 / 6C MECHANICS 80X3.5MM Ø TUBE
DJ51.5	JOINT COMPLETE 150KV 4X13MM 85X5MM Ø TUBE
DJ51.6	JOINT COMPLETE 150X8X12MM 85X5MM Ø TUBE O/A LENGTH = 283MM
SLEEVE	
SL51.1	TO SUIT SA51.1 85X5MM Ø TUBE L=207MM
SEAL TUBE	
ST51.1	TO SUIT SA51.1
GREASE SEAL	
212.375.04006	TO SUIT ST51.1
U'JOINT	
BM06	48X116.5MM / CENTRE LUBE GENUINE KLEIN
BM163	48X116.5MM / CENTRE LUBE
BM163/1	48X116.5MM 587.20 / CENTRE LUBE INA BRG CAPS
BM498	48X116.5MM GENUINE KLEIN INC SKF BRG CAPS DAF
BM650	48X116.5 GWB 587.20 ORIGINAL CENTRE LUBE
BM862	48X116.5MM 587.20 / C/w LUBE IN ALL 4 BRG CAPS
CENTRE BRG	
BMCB33	55X200X36MM 587.15, 587.20 & 587.30 DAF / MAN
BMCB33A	55X200X36MM / WIDE TRACK 587.15 - ALTERNATIVE
BMCB55	65X200X18MM / SOLID RUBBER & SEAL DAF
BMCB45	65X200X18MM / STANDARD IVECO

BM REF #	COMMENTS / DESCRIPTION
587.20 / 375	48 X 116.5MM UJ

TUBING

310.000.93421 TUBE 85X5MM Ø

BM REF #	COMMENTS / DESCRIPTION
587.30 / 495	52 X 133MM UJ

SHAFT ASSY

1244408 **ORIGINAL DAF INTER AXLE SHAFT 1244408** 180KV 180MM SLIP 44° @ 693MM FFC

495YSA-2 165X8X16 & 180X10X16MM 580MM FFC **DAF COACH**

495YSA-3 165X8X16MM 460MM FFC **DAF COACH**

495YSA-5 150X4X13MM 500MM FFC **MAN**

SHAFT ASSY

495YSA-7 257MM UJ CL COMPRESSED ** CAN REDUCE TO 205MM UJ CL **

0012826YSA 400MM UJ CL COMPRESSED (INC COVER TUBE + PLUG)
** CAN REDUCE TO 245MM UJ CL **

495YSA-10 260MM JOINT CENTRES COMPRESSED (LESS COVER TUBE + PLUG)
RILSAN

SLIP ASSY

SA56.1 KLEIN La.110MM / 90X5.5 & 92X6.5MM Ø TUBE 35° H=330MM (INC COVER TUBE)

SA56.2 KLEIN La.180MM / 90X5.5MM TUBE Ø 35° H=359MM **DAF/IVECO**
(INC COVER TUBE)

SA56.4 La.110MM / 90X5.5MM & 92X6.5MM Ø TUBE H=328MM (INC COVER TUBE)

SA56.5 GWB 587.30 La.110MM / YSA H=328MM UJ CL/WELD CL (USE WITH TY56.4)

SA56.6 GWBLa.110MM 92X6.5MM H=330MM (INC COVER TUBE)

FLANGE (KV)

FY56.1 150X4X13MM H=90MM 35°

FY56.42 150X4X13MM H=85MM

FY56.23 165X4X13MM H=93MM MERCEDES APPLICATIONS

FY56.20 180X4X15MM H=90MM 35°

FY56.3 180X4X15MM H=95MM 35° KLEIN

FLANGE (DIN)

FY52.16 150X4X12MM DIN FLANGE H=58MM 15°

FY56.27 150X8X12MM H=90MM

FY56.2 150X8X12MM H=95MM 35°

FY56.4 165X8X14MM H=95MM

FY56.32 165X8X16MM H=95MM 35° **USE FOR MAN & DAF COACH APPLICATIONS**

FY56.31 180X8X12MM H=78MM 24°

FY56.14 180X8X12MM H=95MM 35°

FY56.15 180X8X14MM H=66MM

FY52.9 180X8X14MM H=82.5MM

FY56.21 180X8X14MM H=90MM

FY56.24 180X8X16MM H=90MM

FY56.26 180X10X16MM H=78MM

FY56.37 180X10X16MM H=90MM

FY56.34 180X10X16MM H=90MM **GWB**

FY56.11 180X10X16MM H=95MM 35°

FY56.8 180X10X16MM H=95MM 35° **KLEIN**

FY56.9 180MM Ø DIN BLANK H=92MM 35°

FLANGE (SAE)

FY56.25 174MM 1610SAE (M9.6 HOLES) H=90MM

FY56.17 203MM 1710SAE (M10.25 HOLES) H=80MM

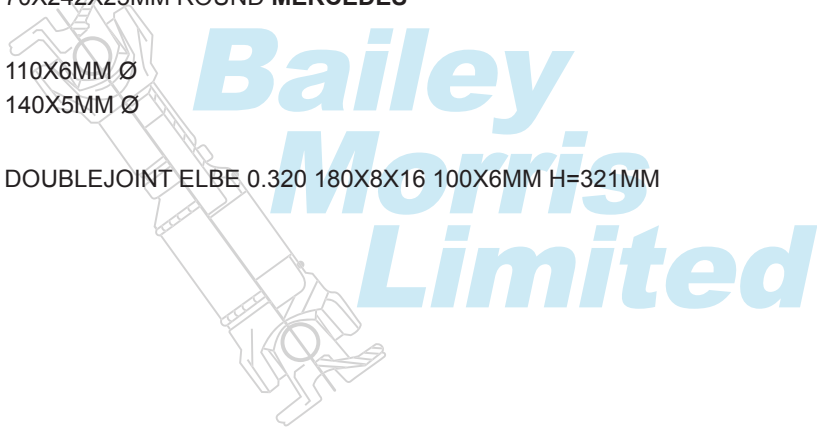
FY56.44 203MM 1710SAE (M10.2 HOLES) H=93MM 30°

BM REF #	COMMENTS / DESCRIPTION
587.30 / 495	52 X 133MM UJ
FY56.45	203MM 1710SAE (M9.6 (HOLES) H=93MM 30°
FY56.19	203MM 1810SAE (M10.25 HOLES) H=93MM
TUBE YOKE	
TY56.1	90X5.5 / 92X6.5MM Ø TUBE 35°
TY56.2	(BORED TO SUIT DAF INTER/AXLE PROP) / 90X5.5MM Ø TUBE
TY56.4	GWB 587.30 SHORT COUPLE H=94MM UJ CL/WELD CL (USE WITH SA56.5)
TY56.5	58730 ALT 90X5.5MM H=90MM Ø TUBE
TY56.6	58730 ALT 92X5MM Ø TUBE 35°
MID ASSY	
MA56.1	150X8X12MM INC 55MM Ø BRG 90X5.5MM Ø TUBE 587.30 DAF & IVECO
MA56.2	165X8X16MM INC 55MM Ø BRG / 90X5.5MM Ø TUBE 587.30 DAF
MA56.5	165X8X16MM INC 60MM Ø BRG / 90X5.5MM Ø TUBE 587.30 DAF
SLEEVE	
SL56.1	TO SUIT SA56.1 / 90X5.5 & 92X6.5MM Ø TUBE La.110MM
SL56.2	TO SUIT SA56.2 / 90X5.5 & 92X6.5MM Ø TUBE La.180MM
SL52.4	TO SUIT SA56.2 / 92X5MM Ø TUBE La.180MM
SEAL TUBE	
ST56.1	TO SUIT SA56.1 L=160MM C/w SEAL 212.400.15643
ST56.2	TO SUIT SA56.2 L=203MM C/w SEAL 212.400.15643
ST56.5	TO SUIT 2040YSA-15 L=189MM
GREASE SEAL	
212.400.15643	TO SUIT ST56.1 & ST56.2
U'JOINT	
BM08	52X133MM / CENTRE LUBE GENUINE KLEIN
BM16	52X133MM / CENTRE LUBE INA BEARINGS
BM16A	52X133 / CENTRE LUBE / ALTERNATIVE
BM753	ORIGINAL GWB CENTRE LUBE
BM574	52X133MM KLEIN MAINTENANCE FREE SFL
CENTRE BRG	
BMCB33	55X200X36MM GWB587.15, 587.20 & 587.30
BMCB33A	55X200X36MM GWB587.15, 587.20 & 587.30 - ALTERNATIVE
BMCB40	60X200X35MM DAF SOLID RUBBER WITH LUBE
TUBING	
310.000.93427	90X5.5MM Ø
BM REF #	COMMENTS / DESCRIPTION
587.35 / 600	57 X 144MM UJ
SHAFT ASSY	
0013062YSA	YSA LESS FLANGE & UJ 430M UJ CENTRES (INCLUDES SEAL TUBE & PLUG)
605YSA-2	DAF PROPSHAFT 1448449 / La 180MMT 180KV SFL Lz.693MM
SLIP ASSY	
SA57.1	110MM SLIP 100X6MM W/o FL & UJ H=348MM
SA57.2	110MM SLIP / 110X6MM Ø TUBE
SA57.4	180MM SLIP DAF INTER AXLE 9.01 DESIGN USE WITH TY57.2 H=95MM 28° KLEIN O.E.
SLEEVE	
SL57.2	FEMALE SPLINED SLEEVE (PART OF SA57.4) SLIP 180MM
SEAL TUBE	
ST57.2	COVER TUBE FOR SA57.4

BM REF #	COMMENTS / DESCRIPTION
587.35 / 600	57 X 144MM UJ
FLANGE YOKE	
FY57.13	150X4X13MM H=100MM 35° - MAN
FY57.8	165X8X16MM H= 100MM 35° **LIMITED STOCK**
FY57.4	180X4X15MM H=100MM 35°
FY57.1	180X8X14MM H=100MM 35°
FY57.2	180X10X16MM H=100MM 35°
FY57.14	180MM Ø DIAMETER BLANK
FY57.7	180X10X16MM OFF SET HOLES H=100MM 35° IVECO
FY57.15	203MM 1710SAE (8X9.6MM HOLES) H=100MM
FY57.5	203MM 1810SAE (12XM11 HOLES) H=100MM **LIMITED STOCK**
FY57.6	225X8X16MM H=85MM
TUBE YOKE	
TY57.1	100X6MM & 104X8MM Ø TUBE H=103MM KLEIN O.E.
TY57.2	DAF INTER AXLE USE WITH SA57.4 H=95MM 28° KLEIN O.E.
TY57.6	100X6MM H=100MM 35°
MID ASSY	
MA57.1	180X10X16MM INC 60MM Ø BRG 100X6MM Ø FORD & DAF
MA57.2	180X4X15MM INC 60MM Ø BRG / 100X6MM & 104X8MM Ø TUBE
MA57.3	180X10X16MM INC 60MM Ø BRG (CAST TYPE) 100X6MM Ø TUBE MAN
COMP FLANGE	
CF57.1	180X10X16MM TO SUIT 60MM Ø CTR BRG & MS57.1
CF57.4	180X10X16MM - GROVE CRANE
CF57.5	203MM 1810SAE 12 BOLT
CF57.7	180X4X15MM 58735 SPLINE Ø 60X22MM
MID STUB	
MS57.1	MIDSTUB 58735 600 100X6MM 60MM BRG.
MS57.3	TO SUIT 100X6MM Ø TUBE, 60MM Ø CTR BRG BMCB75 MAN
SEAL TUBE	
ST62.1	TO SUIT SA57.1
GREASE SEAL	
212.600.04008	TO SUIT ST62.1
U'JOINT	
BM141	57X144MM / CENTRE LUBE INC INA BEARINGS
BM538	57X144MM SFL MAINTENANCE FREE
BM619	57X144MM LUBE IN ALL 4 INA BEARING CAPS
CENTRE BRG	
BMCB35	60X200X36MM / STANDARD IVECO
BMCB40	60X200X35MM / HARD RUBBER WITH LUBE IN RACE DAF
TUBING	
310.000.93431	100X6MM Ø
DOUBLE JOINT	
DJ57.1	DOUBLEJOINT 58735 180X8X14 100X6MM H=320MM
DJ57.2	DOUBLEJOINT 58735 180X8X16 110X6MM H=320MM

BM REF #	COMMENTS / DESCRIPTION
587.42 / 650	57 X 152MM UJ (SEE ALSO 2055 / 620)
Y.S.A.	SHORT COUPLE SHAFT (LESS JOINTS & FLANGES)
587.42YSA-15	180MM UJ CENTRES COMPRESSED La=15MM
587.42YSA-8	180MM UJ CENTRES COMPRESSED La=15MM
587.42YSA-6	200MM UJ CENTRES COMPRESSED La=25MM
587.42YSA-2	210MM UJ CENTRES COMPRESSED La=20MM
587.42YSA-10	250MM UJ CENTRES COMPRESSED La=40MM
587.42YSA-13	275MM UJ CENTRES COMPRESSED La=40MM
587.42YSA-9	285MM UJ CENTRES COMPRESSED La=40MM
587.42YSA-5	290MM UJ CENTRES COMPRESSED La=40MM
587.42YSA-3	305MM UJ CENTRES COMPRESSED La=70MM
SLIP ASSY	
SA58.1	150MM SLIP / 140X5MM Ø TUBE H=400MM MERCEDES / KLEIN
SA59.7	ALTERNATIVE 110MM SLIP / 110X6MM Ø TUBE 25°
SA58.2	150MM SLIP / 110X6MM Ø TUBE H=405MM MERCEDES & MAN / KLEIN
SA58.3	180MM SLIP / 110X6MM Ø TUBE H=394MM MERCEDES & MAN
1.120.093.005	SPLINE & SLEEVE ASSY 835MM LONG USE WITH 1.120.320.011 END YOKE
FLANGE YOKE	
FY58.6	180MM BLANK Ø H=95MM
FY58.13	180X8X14MM H = 85MM 20°
FY58.5	180X8X14MM H = 95MM
FY58.14	180X8X14MM H = 85MM 20°
FY58.9	180X8X16MM H=96MM - ELBE ORIGINAL
FY58.1	180X10X16MM H=102MM
FY58.11	180X10X16MM H=88MM
FY58.2	180X4X15MM H=95MM
FY59.10	180X4X15MM H=59MM GWB
FY59.14	180X4X15MM H=92MM 25° 2055
FY59.11	180X4X15MM H=102MM (WIDE ANGLE) 35°
FY59.15	203MM 1810SAE H=57MM (11.2MM)
FY59.7	203MM 1810SAE (12XM11.1 HOLES) H=95MM
FY58.19	205X8X16MM H=100MM PCD=170MM SPIGOT=140MM (ZF MARINE APPLICATION)
FY58.12	205X10X16MM H=100MM PCD=170MM SPIGOT=140MM (ZF MARINE APPLICATION)
FY58.4	225X8X16MM H=95MM
FY58.20	225X12X16MM H=96MM 25°
FY58.8	225MM Ø BLANK H=90MM
FY58.23	250X8X18MM H=100MM 24°
FY58.24	250MM BLANK FLANGE H=100MM 24°
FY58.15	1880 SAE FITTING H=100MM 24°
TUBE YOKE	
TY59.4	110X6MM Ø TUBE H=105MM
TY58.2	140X5MM Ø TUBE H=108MM MERCEDES
MID ASSY	
MA58.1	180X4X15MM INC 70MM Ø BRG BMCB47 / BMCB77 / 110X6MM Ø TUBE MERCEDES
MA58.2	180X4X15MM INC 70MM Ø BRG BMCB47 / BMCB77 / 140X5MM Ø TUBE MERCEDES
MID STUB	
MS58.7	MIDSTUB 58742 110X6MM MERC

BM REF #	COMMENTS / DESCRIPTION
587.42 / 650	57 X 152MM UJ (SEE ALSO 2055 / 620)
COMPANION FLANGE	
CF58.2	COMP-FLANGE 58742 180X4X15 MERC
CF58.5	COMP-FLANGE 58742 180X4X15 MERC
SEAL TUBE	
ST58.1	TO SUIT SA58.1
GREASE SEAL	
212.650.15650	TO SUIT ST58.1
U'JOINT	
BM144	57X152MM / CENTRE LUBE INA BRGS 587.42
BM144/1	57X152MM / CENTRE LUBE INA BRGS 2055
BM144A	57X152MM / CENTRE LUBE POWERDRIVE
BM539	SKF MAINTENANCE FREE 57X152MM
BM714	57X152MM KEMPF 1000.1096.950 C/w SKF BRG CAPS
BM715	57X152MM KEMPF 1000.1096.955 WITH CTR LUBE & LUBE IN 4 BRG CAPS
CENTRE BRG	
BMCB38	60X247X25MM ROUND MERCEDES
BMCB77	70X190MM U-SHAPE MERCEDES
BMCB47	70X242X25MM ROUND MERCEDES
TUBING	
TUBE110X6	110X6MM Ø
310.000.93485	140X5MM Ø
DOUBLE JOINT	
0.320.050.0003	DOUBLEJOINT ELBE 0.320 180X8X16 100X6MM H=321MM



BM REF #	COMMENTS / DESCRIPTION
587.48 / 700	65 X 172MM UJ (SEE ALSO 2065)
Y.S.A.	SHORT COUPLE SHAFT (LESS JOINTS & FLANGES)
700YSA-2	292MM UJ CENTRES (CAN BE REDUCED TO 248MM UJ CTRS)
SLIP ASSY	
SA63.1	KLEIN 150MM SLIP / 140X5MM & 142X6MM Ø TUBE L=413MM
SA63.4	SPICER SLIPASSY 2065 SHORT COUPLE ASSY H=308MM 9.01 DESIGN
SA63.5	SPICER 110MM SLIP TO SUIT 140X5MM OR 142X6MM Ø TUBE H=308MM (27°)
SA63.7	110MM SLIP TO SUIT 140X5MM OR 142X6MM Ø TUBE (27°) H=340MM
SA63.9	ELBE 0.122 SRSSLIPASSY 124X8MM H=384MM SLIP =140MM
SLEEVE	
SL63.1	TO SUIT SA63.1 / 140X5MM TUBE Ø L=293MM
SEAL TUBE	
ST63.1	TO SUIT SA63.1 KLEIN SEAL TUBE
GREASE SEAL	
212.700.15747	GREASE SEAL TO SUIT ST63.1
FLANGE YOKE	
FY63.3	180X4X15MM H=100MM ORIGINAL KLEIN
FY63.3/1	180X4X15MM H=105M ORIGINAL SPICER
FY63.19	180X4X15MM H=75MM
FY63.8	180X8X14MM H=110MM
FY63.4	180X10X16MM H=110MM
FY63.15	203MM 1810SAE (12XM11.1 HOLES) H=110MM
FY63.21	205X10X18 H=110MM PCD=170MM FLANGE FEMALE SPIGIOT 140MM ZF APPLICATION
FY63.24	225X4X15.8 H=110MM (HINO) MALE SPIGOT 119.90MM PCD - 190MM BHC = 129.5X138.5MM
FY63.6	225X8X16MM H=110MM
FY63.25	225X8X16MM H=110MM ORIGINAL SPICER
FY63.2	225X12X16 H=110MM
FY63.9	225MM Ø BLANK H=110MM
FY63.7	250X12X18MM
FY63.18	250MM Ø BLANK H =110MM
FY63.12	1900SAE 276.2MM
FY63.17	1880 SAE FITTING H=110MM
TUBE YOKE	
TY63.1	KLEIN 140X5MM & 142X6MM Ø TUBE
TY63.2	TO SUIT140X5MM & 142X6MM Ø TUBE
H COUPLING	
587.42H-1	H SECTION L = 175MM UJ CTRS
587.42H-2	H SECTION L = 185MM UJ CTRS
MID ASSY	
MA63.2	180X4X15MM INC 70MM Ø BRG BMCB85 / 140X5MM Ø TUBE KLEIN
MA63.1	180X10X16MM INC 70MM Ø BRG BMCB85 / 140X5MM Ø TUBE KLEIN
MID STUB	
MS63.1	TO SUIT 140X5MM Ø TUBE 70MM Ø CTR BRG BMCB85
COMP FLANGE	
CF63.2	180X4X15MM TO SUIT MS63.1
CF63.1	180X10X16MM TO SUIT MS63.1

BM REF #	COMMENTS / DESCRIPTION
587.48 / 700	65 X 172MM UJ (SEE ALSO 2065)

MID NUT & WASHER

243.000.03641 MID NUT
261.700.15477 MID WASHER

U'JOINT

BM148 65X172MM / CENTRE LUBE **GENUINE**
BM148A ALTERNATIVE TO BM148 65X172MM
BM268 65X172MM / NON LUBE **GENUINE**
BM685 687.55 / 2065 SRS INC INA BRG CAPS
BM640 GWB 4 POINT LUBE (**LUBE IN EACH BRG CAP**)
BM548 P600 SCANIA 65X190MM / 587.48 COMBINATION
BM778 687.65 / 2065 SPICER CENTRE LUBE
BM709 687.65 HIGH TEMP 60- 140 DEG CENT FOR RAIL APPLICATIONS

CENTRE BRG

BMCB135 70X220X20MM CAST BRACKET **IVECO**
BMCB85 70X220X45MM / CAST BRKT **DAF SLOTTED BOLT HOLES**
BMCB52 70X220X20MM SLOTTED RUBBER & MTG HOLES **VOLVO**
BMCB54 70X220X20MM / SOLID RUBBER DAF 2055, 2060 & 2065 **DAF**
BMCB66 70X220X20 SLOTTED RUBBER ROUND MTG HOLES **IVECO**

TUBING

310.000.93485 140X5MM

BM REF #	COMMENTS / DESCRIPTION
587.50	72 X 185MM UJ

Y.S.A.

SHORT COUPLE SHAFT (LESS JOINTS & FLANGES)
587.50YSA-4 279MM UJ CENTRES COMPRESSED La=45MM
587.50YSA-7 284MM UJ CENTRES COMPRESSED La=50MM
587.50YSA-3 345MM UJ CENTRES COMPRESSED La=85MM
587.50YSA-9 420MM UJ CENTRES COMPRESSED La=80MM

SLIP ASSY

SA60.1 110MM SLIP / 144X7MM Ø TUBE (REDUCES TO 123X7.5MM) H=328MM
SA60.3 180MM SLIP / 144X7MM H= 431MM

FLANGE YOKE

FY60.14 203X12X11.1MM H=108MM 24° 1810SAE
FY60.1 225X8X16MM H=108MM 24°
FY60.3 225X12X16MM H=108MM 24°
FY60.11 225MM DIA BLANK H=108MM 24°
FY60.9 241X8X16MM H=108MM SPICER 1880 SRS
FY60.2 250X8X18MM H=108MM
FY60.7 250X12X12MM H=108MM
FY60.6 276X8X16MM H=108MM **1900 SRS** PCD=247.64MM / SPIGOT = 222.22MM
FY60.10 275X10X14MM H=68MM SPIGOT=139.9MM PCD=248MM 2X12MM
THREADED HOLES
FY60.5 285X8X20MM H=108MM
FY60.4 287X16X12MM H=108MM 2000SAE

TUBE YOKE

TY60.3 144X7MM H=143MM 24°

COMP FLANGE

CF60.1 225X8X16MM PILOT BORED 50MM

U'JOINT

BM541 72X185MM / INA END LUBE IN ALL 4 BRG CAPS

TUBING

TUBE144X7 144X7MM Ø

BM REF #	COMMENTS / DESCRIPTION
587.55	74 X 217MM UJ

SLIP ASSY

SA93.1 TO SUIT 168.8X7.3MM Ø TUBE H=385MM

SA93.2 TO SUIT 162X9MM Ø

TUBE YOKE

TY93.1 TO SUIT 168.8X7.3MM Ø TUBE H=155MM

TY93.2 TO SUIT 162X9MM Ø TUBE

FLANGE YOKE

FY93.1 250X8X18MM H=125MM

FY93.2 285X8X20MM H=125MM

U'JOINT

BM152 74X217MM 587.55 SRS LUBE IN ALL 4 BRG CAPS

TUBING

TUBE168.8X7.3 168.8X7.3MM Ø

BM REF #	COMMENTS / DESCRIPTION
587.60	83X231.4MM UJ

SLIP ASSY

SA100.1 TO SUIT 167.7X9.8MM Ø TUBE

TUBE YOKE

TY100.1 TO SUIT 167.7X9.8MM Ø TUBE

FLANGE YOKE

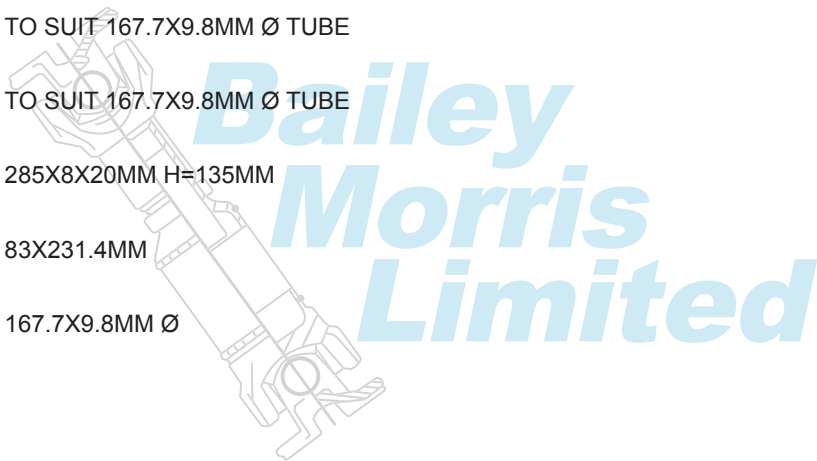
FY100.1 285X8X20MM H=135MM

U'JOINT

BM323 83X231.4MM

TUBING

TUBE167.7X9.8 167.7X9.8MM Ø



INDUSTRIAL SHAFT COMPONENTS



BM REF #	COMMENTS / DESCRIPTION
587.50	72 X 185MM UJ
Y.S.A.	SHORT COUPLE SHAFT (LESS JOINTS & FLANGES)
587.50YSA-4	279MM UJ CENTRES COMPRESSED La=45MM
587.50YSA-7	284MM UJ CENTRES COMPRESSED La=50MM
587.50YSA-3	345MM UJ CENTRES COMPRESSED La=85MM
587.50YSA-9	420MM UJ CENTRES COMPRESSED La=80MM
SLIP ASSY	
SA60.1	110MM SLIP / 144X7MM Ø TUBE (REDUCES TO 123X7.5MM) H=328MM
SA60.3	180MM SLIP / 144X7MM H= 431MM
FLANGE YOKE	
FY60.14	203X12X11.1MM H=108MM 24° 1810SAE
FY60.1	225X8X16MM H=108MM 24°
FY60.3	225X12X16MM H=108MM 24°
FY60.11	225MM DIA BLANK H=108MM 24°
FY60.9	241X8X16MM H=108MM SPICER 1880 SRS
FY60.2	250X8X18MM H=108MM
FY60.7	250X12X12MM H=108MM
FY60.10	275X10X14MM H=68MM SPIGOT=139.9MM PCD=248MM 2X12MM
FY60.6	276X8X16MM H=108MM 1900 SAE PCD=247.64MM/SPIG = 222.22MM
FY60.5	285X8X20MM H=108MM
FY60.4	287X16X12MM H=108MM 2000SAE
TUBE YOKE	
TY60.3	144X7MM H=143MM 24°
COMP FLANGE	
CF60.1	225X8X16MM PILOT BORED 50MM
U'JOINT	
BM151	72X185MM / CENTRE LUBE (ORIGINAL GWB)
BM151/A	72X185MM / CENTRE LUBE (ALTERNATIVE)
BM541	72X185MM / INA END LUBE IN ALL 4 BRG CAPS
TUBING	
TUBE144X7	144X7MM Ø
BM REF #	COMMENTS / DESCRIPTION
292.50 / 392.50	74 X 129MM UJ
U'JOINT	
BM274	292.50 / 392.50 CTR LUBE & 4 POINT END LUBE
BM396	292.50 / 392.50 CTR LUBE - HIGH TEMP
SLIP ASSY	
SA93.1	TO SUIT 162X9.85MM Ø TUBE H=385MM SPLINE Ø 127X2.5
SA93.2	TO SUIT 168.8X7.3MM Ø H=430MM SPLINE Ø 127X2.5

BM REF #	COMMENTS / DESCRIPTION
587.55	74 X 217MM UJ

TUBE YOKE
 TY93.1 TO SUIT 162X9.85MM Ø TUBE H=155MM
 TY93.2 TO SUIT 168.8X7.3MM Ø TUBE H=150MM

FLANGE YOKE
 FY93.3 225X8X16MM H=125MM "ALT"
 FY93.1 250X8X18MM H=125MM
 FY93.2 285X8X20MM H=125MM

U'JOINT
 BM152 587.55 SRS LUBE IN ALL 4 BRG CAPS

TUBING
 TUBE168.8X7.3 168.8X7.3MM Ø

BM REF #	COMMENTS / DESCRIPTION
190.55	74 X 154MM UJ

U'JOINT
 BM153 190.55 CTR LUBE & 4 POINT END LUBE

KEMPF 1105
 BM505 KEMPF 1000.1105.950
 BM505IB END LUBE IN ALL BRG CAPS

BM REF #	COMMENTS / DESCRIPTION
392.55	83X139MM UJ

U'JOINT
 BM298IB 292.55 / 392.55 INA BRG CAPS 4 X END LUBE
 BM298 292.55 / 392.55
 BM298A 292.55 / 392.55 ALTERNATIVE

SLIP ASSY
 SA75.1 SLIP JOINT 392.55 285X8X20 H=565MM 9.01 DESIGN La=80MM

FIXED JOINT
 FE75.1 FIXED JOINT 392.55 285X8X20 H=300MM 9.01 DESIGN
 FE75.2 FIXED JOINT 392.55 315X8X22 H=300MM

BM REF #	COMMENTS / DESCRIPTION
3115.00	83X220MM UJ - KEMPF

SLIP ASSY
 SA102.1 SLIPASSY La.140MM 165X12.5MM TUBE, SPLINE. 120X2.5MM

TUBE YOKE
 TY102.1 TO SUIT 165X12.5MM TUBE

FLANGE YOKE
 FY102.1 FLANGE YOKE 285X8X21MM KEMPF
 FY102.2 FLANGE YOKE 250X8X19MM KEMPF PLUS FACE KEY 40X245X22MM

FACE KEY
 FK102.1 FACE KEY TO SUIT FY 102.1
 FK102.2 FACE KEY TO SUIT FY 102.2 - 245X40X25MM

U'JOINT
 BM377IB 83X220MM INA 4X END LUBE + CENTRELUBE
 BM377 83X220MM VOITH S285.5 / KEMPF

BM REF #	COMMENTS / DESCRIPTION
587.60	83X231.4MM UJ

SLIP ASSY	
SA100.1	TO SUIT 167.7X9.8MM Ø TUBE H=390MM
TUBE YOKE	
TY100.1	TO SUIT 167.7X9.8MM Ø TUBE H=160MM
FLANGE YOKE	
FY100.1	285X8X20MM H=135MM
U'JOINT	
BM323	83X231.4MM
TUBING	
TUBE167.7X9.8	167.7X9.8MM Ø

BM REF #	COMMENTS / DESCRIPTION
390.65	95X139MM

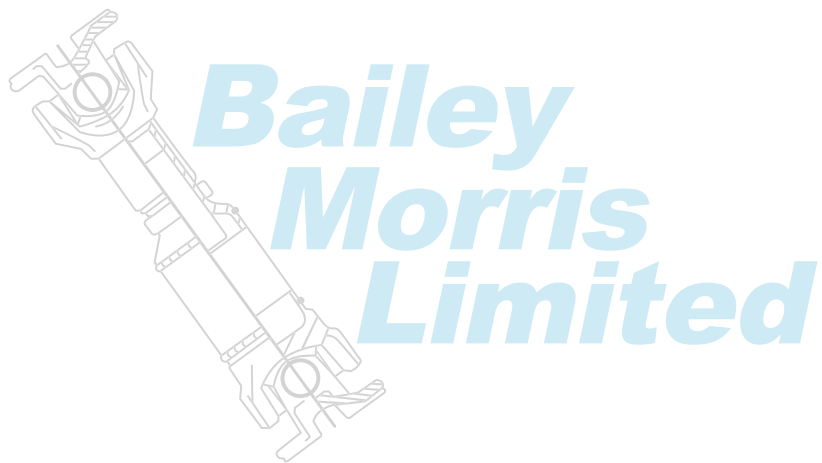
SLIP ASSY	
SA118.1	TO SUIT 218.2X8.7MM Ø TUBE H=450MM La=135MM
SA118.2	SPLINE SET AS ABOVE LESS La=135MM
TUBE YOKE	
TY118.1	TO SUIT 218.2X8.7MM Ø TUBE
FLANGE YOKE	
FY118.1	FLANGE 390.65 315X8X22 H=150MM 15°
U'JOINT	
BM156	95X139MM 4 X LUBE IN BRG CAP
COVER TUBE	
13907013000000100	COVER TUBE H =165MM

BM REF #	COMMENTS / DESCRIPTION
190.65	95X190MM

SLIP ASSY	
SA86.1	SLIPASSY 190.65 La.120 (SPL.150X3) L=605MM
SA86.2	SLIPASSY 190.65 La.120 (SPL.130X3) L=638MM Ø TUBE193.5X9MM
Y.S.A.	
190.65YSA-1	SHORT COUPLE YSA H=650MM La.60MM 150X3 SPL.
190.65YSA-2	SHORT COUPLE YSA H=560MM La.60MM 150X3 SPL.
U'JOINT	
BM157	95X190MM - SIDE
BM157/1	95X190MM - LUBE IN 4 BRG CAPS

BM REF #	COMMENTS / DESCRIPTION
W285 / S315	95X250MM

U'JOINT	
BM419	KEMPF & VOITH W285 / S315 CTR LUBE & 4 POINT END LUBE
BM419IB	KEMPF & VOITH W285 / S315 CTR LUBE & 4 POINT END LUBE INA
BRGS	



KV, DIN, SAE, VOLVO & SCANIA MID & SLIP MID ASSY'S



BM REF #	SHAFT S / O SRS	M/Ms	VEHICLE TYPE	CTR BRG	COMMENTS / DESCRIPTION	TUBE DIA Ø
120MM DIN						
MA120610	801.21	60	MERCEDES	BMCB05	120X6X10MM (MALE REGISTER)	70X3
MA46.1	587.15	85	MAN / DAF	BMCB25	120X8X10MM FLANGE & STUB W/o BMCB25	80X3.5
120MM KV						
MA6.2	1410	70	IVECO	BMCB91	120X4X11MM C/W 40MM Ø BRG	76.2X2.4
MA26.3	PEP5/6	75	DAF / AVIA	BMCB176	120X4X11MM C/W 55MM Ø BRG SPICER PEP5/6	84.1 BASE
MA24.1	2020	70	IVECO	BMCB20	120X4X11MM C/W 45MM Ø BONDED BRG	76.2X2.4
MA27.1	2035	73	IVECO	BMCB22	120X4X11MM C/W 45MM Ø BRG	100X3
MA27.8	2035	73	DAF	BMCB176/1	120X4X11MM C/W 55MM Ø BRG SPICER PEP5/6	100X3
MA26.1	2030	75	IVECO	BMCB22	120X4X11MM C/W 45MM Ø BRG	90X3
MA25.1	2025	75	IVECO	BMCB64	120X4X11MM C/W 40MM Ø BRG	88.9X2.4
MA47.1	286.22	90	MERCEDES	BMCB41	120X4X11MM C/W 45MM Ø BRG	90X2.5
MA47.4	286.22	90	MERCEDES	BMCB41	120X4X11MM C/W 45MM Ø BRG	130X5
MA47.2	286.22	90	MERCEDES	BMCB07	120X4X11MM C/W 45MM Ø ROUND BRG	90X2.5
MA27.6	2035	73	VOLVO	BMCB22	120X4X11MM LESS BRG (BMCB22) H=73MM	100X3
130MM DIN						
MA47.3	286.22	90	MERCEDES	BMCB07	130X8X10MM C/W 45MM Ø ROUND BRG	90X2.5
132MM NISSAN						
MA24.4	2020	78	NISSAN	BMCB116	132X4X12.2MM C/W 35MM Ø BRG 108MM PCD	76.2X2.41
150MM DIN						
MA46.2	587.15	85	DAF	BMCB33	150X8X12MM C/W 55MM Ø BRG	80X3.5
MA51.1	587.20	95	DAF / IVECO	BMCB33	150X8X12MM C/W 55MM Ø BRG	85X5
MA56.1	587.30	95	DAF / IVECO	BMCB33	150X8X12MM C/W 55MM Ø BRG	92X6.5
150MM KV						
MA27.5	2035	75	DAF	BMCB176	150X4X13MM C/W 55MM Ø BRG	100X3
MA51.2	375	95	DAF	BMCB55	150X4X13MM C/W 65MM Ø BRG	85X5
MA28.1	2040	95	DAF	BMCB80	150X4X13MM C/W 55MM Ø BRG	120X3
MA37.1	490	95	DAF	BMCB55	150X4X13MM C/W 65MM Ø BRG	120X3
MA28.8	2040	80	IVECO	BMCB67	150X4X13 120X3MM 55MM Ø BRG	120X3
MA37.4	490	80	IVECO	BMCB45	150X4X13MM C/W 65MM Ø BRG	120X3
MA28.11	2040	80	IVECO	BMCB193	150X4X13 C/W Ø 55MM BRG / 2 BOLT RETAINER	120X3
MA28.7	2040	95	MAN	BMCB46/1	150X4X13MM C/W 65MM Ø BRG	120X3
MA52.2	286.33	95	MERCEDES	BMCB30	150X4X13MM C/W 55MM Ø ROUND BRG	92X5
MA53.1	286.37	110	MERCEDES	BMCB38	150X4X13MM C/W 60MM Ø ROUND BRG	100X5
MA27.3	2035	75	VOLVO	BMCB134	150X4X13MM C/W 45MM Ø BRG	100X3
165MM DIN						
MA56.2	587.30	95	DAF	BMCB33	165X8X16MM C/W 55MM Ø BRG	92X6.5
MA56.5	587.30	100	DAF	BMCB35	165X8X16MM C/W 60MM Ø BRG	90X5.5

BM REF #	SHAFT S / O SRS	M/Ms	VEHICLE TYPE	CTR BRG	COMMENTS / DESCRIPTION	TUBE DIA Ø
175MM 1610 SAE						
MA51.3	375	77	IVECO	BMCB33	175MM 1610SAE C/W 55MM Ø BRG	85X5
MA26.2	2030	90	VOLVO	BMCB22	175MM 1610SAE C/W 45MM Ø BRG	90X3
MA19.2	NK300	82	VOLVO	BMCB09	175MM 1610SAE C/W 60MM Ø BRG	85X4
MA19.1	NK300	90	VOLVO	BMCB62	175MM 1610SAE C/W 45MM Ø LUBE BRG	85X4
MA19.3	NK300	89	VOLVO	BMCB134	175MM 1610SAE C/W 45MM Ø NON LUBE BRG	85X4
180MM DIN						
MA57.1	587.35	100	DAF / IVECO	BMCB35	180X10X16MM C/W 60MM Ø BRG	100X6
MA57.3	587.35	100	MAN	BMCB75	180X10X16MM C/W 60MM Ø BRG (CAST TYPE)	100X6
MA62.2	680	107	DAF / IVECO	BMCB78	180X10X16MM C/W 60MM Ø BRG	140X5
MA63.1	700	107	DAF / IVECO	BMCB85	180X10X16MM C/W 70MM Ø BRG	140X5
MA58.3	587.36	95	MAN	BMCB75	180X10X16MM C/W 60MM Ø CAST BRG	110X6
180MM KV						
MA37.2	490	95	DAF	BMCB55	180X4X15 C/W 65MM Ø BRG - KLEIN	120X3
MA37.5	490	95	DAF	BMCB191	180X4X15 C/W H.D.KLEIN 65MM Ø BRG	120X3
MA30.4	590	100	DAF	BMCB55	180X4X15 C/W 65MM Ø BRG - KLEIN	120X4
MA30.6	590	100	DAF	BMCB55	180X4X15 C/W 65MM Ø BRG - KLEIN	120X5
MA30.12	590	100	DAF	BMCB191	180X4X15 C/W H.D.KLEIN 65MM Ø BRG	120X5
MA30.1	2045	100	DAF	BMCB80	180X4X15 C/W 55MM Ø LUBE BRG	120X4
MA61.1	2060	107	DAF	BMCB54	180X4X15 C/W 70MM Ø BRG HARD RUBBER	130X6
MA59.2	620	108	DAF	BMCB74	180X4X15 C/W Ø 75MM BRG - KLEIN	120X6
MA59.7	2055	107	DAF	BMCB54	180X4X15 C/W Ø 70MM BRG	120X6
MA63.2	700	107	DAF / IVECO	BMCB85	180X4X15 C/W Ø 70MM BRG - KLEIN	140X5
MA28.4	2040	80	IVECO	BMCB67	180X4X15 C/W Ø 55MM BRG	120X3
MA28.10	2040	80	IVECO	BMCB193	180X4X15 C/W Ø 55MM BRG / 2 BOLT RETAINER	120X3
MA37.3	490	80	IVECO	BMCB45	180X4X15 C/W Ø 65MM BRG - KLEIN	120X3
MA30.3	590	80	IVECO	BMCB45	180X4X15 C/W Ø 65MM BRG - KLEIN	120X4
MA30.10	2045	80	IVECO	BMCB32	180X4X15 C/W Ø 55MM BRG	120X4
MA30.14	2045	80	IVECO	BMCB193	180X4X15 C/W Ø 55MM BRG	120X4
MA29.1	2050	100	IVECO	BMCB80	180X4X15 C/W Ø 55MM LUBE BRG	120X5
MA62.1	680	107	IVECO	BMCB78	180X4X15 C/W Ø 60MM BRG - KLEIN	140X5
MA61.2	2060	107	IVECO	BMCB66	180X4X15 C/W Ø 70MM BRG (SLOTTED)	130X6
MA61.7	2060	107	MAN	BMCB206	180X4X15 C/W Ø 70MM BRG	130X6
MA59.1	620	108	IVECO	BMCB26	180X4X15 C/W Ø 75MM BRG - KLEIN	120X6
MA59.6	2055	107	IVECO	BMCB66	180X4X15 C/W Ø 70MM BRG	120X6
MA30.8	2045	87	MAN	BMCB46/1	180X4X15 C/W Ø 65MM BRG	120X4
MA59.3	2055	87	MAN	BMCB46/2	180X4X15 C/W Ø 65MM BRG	120X6
MA59.4	2055	87	MAN	BMCB46/1	180X4X15 C/W Ø 65MM BRG	120X6
MA58.1	587.42	110	MERCEDES	BMCB47	180X4X15 C/W Ø 70MM BRG	110X6
MA58.2	587.42	110	MERCEDES	BMCB47	180X4X15 C/W Ø 70MM BRG	140X5
MA58.4	802.68		MERCEDES	BMCB77	180X4X15 C/W Ø 70MM BRG	110X6
MA58.5	802.68		MERCEDES	BMCB77	180X4X15 C/W Ø 70MM BRG	140X5
MA57.2	600	100	VARIOUS	BMCB35	180X4X15 C/W Ø 60MM BRG	100X6
MA30.18	2045	135	VOLVO	BMCB92	180X4X15 C/W Ø 60MM BRG	120X4
MA59.5	2055	107	VOLVO	BMCB52	180X4X15 C/W Ø 70MM BRG	120X6
MA59.12	2055	107	VOLVO	BMCB192	180X4X15 C/W Ø 70MM BRG 2 BOLT FITTING	120X6
MA59.13	2055	104	VOLVO	BMCB109	180X4X15 C/W Ø 70MM BRG	120X6
MA61.7	2060		MAN	BMCB319	180X4X15 C/W Ø 70MM BRG	130X6
MA61.3	2060	107	VOLVO	BMCB52	180X4X15 C/W Ø 70MM BRG	130X6
MA61.5	2060	107	VOLVO	BMCB192	180X4X15 C/W Ø 70MM BRG 2 BOLT FITTING	130X6
MA63.5	2065	107	VOLVO	TBA	180X4X15 C/W Ø 70MM BRG 2 BOLT FITTING	140X5
MA30.5	2045	80	VOLVO	BMCB80	180X4X15 C/W Ø 55MM BRG	120X4
21096141	2055	104	VOLVO	BMCB192	180X4X15 COMP.FL + BRG (BMCB192) C/w BOLT	120X6

BM REF #	SHAFT SRS	O / M/Ms	VEHICLE TYPE	CTR BRG	COMMENTS / DESCRIPTION	TUBE DIA Ø
200MM KV						
MA89.2	802.79	110	MERCEDES	BMCB77	200X4X15 C/W Ø 70MM BRG & 144X7MM TUBE	144X7
MA71.4	P600	80	SCANIA	BMCB115	P600 208MM KV ORIGINAL	114.3X5.5
SAE						
MA6.4	1410		IVECO	BMCB91	1410 SAE C/W 40MM CTR BRG	76.2X2.4
MA6.3	1410			-	PUMP MID ASSY 40MM Ø TAPER SHAFT & 1410SAE COMP FLANGE SOLID C/W KEY & NUT	88.9X.095
MA30.7	2045	110	RENAULT	BMCB35	1810SAE (12X11.1MM)C/W 60MM Ø BRG	120X4
MA59.8	2055	110	VARIOUS	BMCB35	1810SAE (12X11.1MM)C/W 60MM Ø BRG	120X6
MA21.1	NK500	62	VOLVO	BMCB48	1810SAE C/W 70MM Ø BRG	100X6
MA22.1	NK600	62	VOLVO	BMCB48	1810SAE C/W 70MM Ø BRG	114X5.5
MA20.1	NK400	78	VOLVO	BMCB09	1810SAE C/W 60MM Ø BRG	91X4.5
MA20.2	NK400	78	VOLVO	BMCB09	1710SAE C/W 60MM Ø BRG	91X4.5
SCANIA						
MA34.1	P300	120	SCANIA	BMCB39	P300 C/W 60X22MM Ø BRG 80MM BASE	90X5
MA34.2	P300	120	SCANIA	BMCB115A	P300 C/W 60X26MM Ø BRG 80MM BASE	90X5
MA34.3	P300	120	SCANIA	BMCB115	P300 C/W 60X26MM Ø BRG 80MM BASE	90X5
MA31.2	P400	120	SCANIA	BMCB39	P400 C/W 60X22MM Ø BRG 24 SPLINE	100X5
MA31.3	P400	120	SCANIA	BMCB115	P400 C/W 60X26MM Ø BRG 24 SPLINE	100X5
MA31.4	P400	120	SCANIA	BMCB115A	P400 C/W 60X26MM Ø BRG 24 SPLINE	100X5
MA32.2	P500	120	SCANIA	BMCB39	P500 C/W 60X22MM Ø BRG 24 SPLINE	108X5.5
MA32.3	P500	120	SCANIA	N/A	P500 LESS BMCB39 60X22MM Ø BRG 24 SPL	108X5.5
MA32.4	P500	120	SCANIA	BMCB115	P500 C/W 60X26MM Ø BRG 24 SPLINE	108X5.5
MA32.5	P500	120	SCANIA	BMCB115A	P500 C/W 60X26MM Ø BRG 24 SPLINE	108X5.5
MA71.1	P500	145	SCANIA	N/A	P600 LESS 60X26MM Ø BMCB115 BRG	108X5.5
MA71.2	P600	145	SCANIA	BMCB39	P600 MID ASSY 114.3X5.5MM Ø TUBE COMPRISING OF - EY71.2 / MS71.2 / BMCB39 / MN32.3 / 1.15114	114.3X5.5
MA71.3	P600	145	SCANIA	BMCB115	P600 LESS 60X26MM Ø BMCB39 BRG	114.3X5.5
MA71.5	P600	145	SCANIA	BMCB39	P600 MID ASSY 60X22MM Ø BRG 24 SPLINE	114.3X5.5
MA71.6	P600	145	SCANIA	BMCB115A	P600 MID ASSY 60X26MM Ø BRG 24 SPLINE	114.3X5.5
MA71.4	P600	80	SCANIA	BMCB115	P600 MID ASSY 60X26MM ORIGINAL MID ASSY 208MM KV	114.3X5.5
MA71.8	P600	80	SCANIA	BMCB115	ORIGINAL MID ASSY 208MM KV 114.3X5.5MM Ø TUBE H=80MM - SUPPLIED WITHOUT BMCB115 CTR BRG	114.3X5.5
MA71.9	P600		SCANIA	BMCB115	P600 MID ASSY 208KV C/w BMCB115 (OE)	114.3X5.5
SLIP MID ASSYS						
MA6.4	1330		FORD	BMCB260	FORD RANGER 1330 SRS 35X180X14MM	76.2X2.4
SA6.4	1410	237	IVECO	BMCB91	IVECO DAILY SLIP MID ASSY 3.00X.095 TO SUIT BMCB91 40MM CTR BRG L=237MM	76.2X2.4
SA23.8	2015	216	IVECO	BMCB20	LESS 45MM Ø BONDED CTR BRG	88.9X2.4
SA24.10	2020	200	DAF	BMCB116	C/W 45MM Ø CTR BRG	76.2X2.4
SA24.13	2020	238	MERC	BMCB59	LESS 45MM Ø CTR BRG	76.2X2.4
SA24.14	2020	241	MERC	BMCB196	LESS 47MM Ø CTR BRG	76.2X2.4
SA24.19	2020	209	MERC	BMCB196	LESS 47MM Ø CTR BRG	76.2X2.4
SA24.15	2020		MERC		SPRINTER Y/SHAFT & SLEEVE C/w 50MM BRG	70x2
SA25.3	2025	240	IVECO	BMCB176	LESS 55MM Ø CTR BRG	89.2X2.4
SA25.5	2025	290	DAF	BMCB176/1	C/W 55MM Ø CTR BRG BMCB176/1	88.9X2.4
SA26.16	2030	340	DAF	BMCB65A	C/w BMCB65A 60MM,T/Y / SFL U/J / BOOT + KIT	90X3
SA26.21	2030	250	DAF	BMCB312	C/w BMCB312 60MM,T/Y / SFL U/J / BOOT	90X3
SA26.3	2030	284	IVECO	BMCB65	LESS 60MM Ø CTR BRG	90X3
SA26.7	2030	284	DAF	BMCB65A	LESS 60MM Ø CTR BRG	90X3

BM REF #	SHAFT S / O SRS	M/Ms	VEHICLE TYPE	CTR BRG	COMMENTS / DESCRIPTION	TUBE DIA Ø
SA27.13	2035		DAF	BMCB65A	DAF 100X3MM C/w BMCB65A, T/YOKE & UJ	100X3
SA27.17	2035		DAF/VOLVO	BMCB314	DAF/ RVI/VOLVO C/w BMCB314, T/YOKE & UJ	100X3
SA27.4	2035	270	DAF	BMCB65	LESS 60MM Ø CTR BRG - NOW USE SA27.10	100X3
SA28.12	2040	376	IVECO	BMCB110	C/W 70MM Ø CTR BRG	120X3
SA28.15	2040	250	MAN	BMCB190	C/W 75MM Ø CTR BRG	120X3
SA28.16	2040	170	IVECO	BMCB194	C/W BMCB194 75MM Ø CTR BRG (Inc.GAITOR)	120X3
SA28.17	2040	250	RVI/VOLVO	BMCB181	C/W 75MM Ø CTR BRG	120X3
SA30.10	590	489	IVECO	BMCB101	C/W 80MM Ø CTR BRG -KLEIN	120X4
SA30.17	2045	325	IVECO	BMCB194	C/W 75MM Ø CTR BRG + GAITOR	120X4
SA30.18	2045	267	MAN	BMCB190	C/W 75MM Ø CTR BRG + GAITOR	120X4
SA50.4	196	308	MAN	BMCB53	LESS 100MM Ø CTR BRG - KLEIN	98X2
SA50.6	196	301	MAN	BMCB100	LESS 65MM Ø CTR BRG + GAITOR - KLEIN	98X2
SA59.12	2055	393	IVECO	BMCB110	C/W 85MM Ø (55 SHORE) CTR BRG + GAITOR	120X6
SA59.15	2055	393	IVECO	BMCB182	C/W 85MM Ø CTR BRG + GAITOR	120X6
SA59.18	2055	294	MAN	BMCB219	C/W 85MM Ø (84 SHORE) CTR BRG + GAITOR	120X6



JAPANESE

MA7.2	78.5		ISUZU	BMCB119	C/W 45MM CTR BRG (ALSO SUITS MITSUBISHI)	76.2X.2.41
MA24.4	2020	78	NISSAN	BMCB116	132X4X12.2MM C/W 45MM Ø BRG 108MM PCD	76.2X2.41
MA68.1	125		TOYOTA		TOYOTA MID ASSY "MULTIFIT" TO SUIT 30MM CTR BRG STUB BASE 62MM SUITS 65X1.6MM TUBE / 27 SPLINES (SPLINE Ø 28MM) COUPLING FLANGE Ø 115MM / FEMALE SPIGOT = 46MM 12 OFF BOLT HOLES DRILLED TO SUIT BOLT HOLE SPACING - 66X66MM (11MM BOLT HOLES) 60X68MM (11MM BOLT HOLES) 60X60MM (10MM BOLT HOLES) NUT & WASHER INCLUDED	
MA68.2	125		TOYOTA	BMCB71 & BMCB187	TOYOTA MID ASSY MID STUB & COUPLING FLANGE & BMCB187 TO SUIT 30MM CTR BRG STUB BASE 62MM SUITS 65X1.6MM TUBE / 27 SPLINES (SPLINE Ø 28MM) COUPLING FLANGE Ø 115MM / FEMALE SPIGOT = 46MM DRILLED TO SUIT BOLT HOLE SPACING - 60X60MM (11MM HOLES) NUT & WASHER INCLUDED	



SCANIA STYLE COMPONENTS



CENTRE BRG

BRACKETS

1377022 (1505799)	UPPER BRACKET SCANIA 4 SERIES
1486855	LOWER BRACKET SCANIA 3 & 4 SERIES

BM REF

COMMENTS / DESCRIPTION

P300 38 X 148MM UJ WITH 4.5 ° TAPER BRACKETS

YOKE SHAFT ASSY

SA34.1 YOKE SHAFT & SLEEVE - 80MM BASE - TUBE 90X5MM H=274MM

TUBE YOKE

TY34.1 80MM Ø BASE - TUBE 90X5MM - H=63MM

TY34.5 80MM Ø BASE - TUBE 90X5MM - H=94MM

MID STUB

MS34.1 80MM Ø BASE - TUBE 90X5MM L=122MM USE WITH BMCB39 CTR BRG 24SPL

MS34.8 80MM Ø BASE - TUBE 90X5MM L=122MM USE WITH BMCB115 CTR BRG 24SPL

MS31.1 P400 24 SPLINES 100X5MM Ø TUBE (USE WITH EY31.1 & MN32.3) L=122MM

MS34.4 P300 FRICTION WELD TYPE 92X5MM Ø TUBE H=175MM BMCB115 60X26MM BRG

MID NUT

MN32.3 MID NUT

END YOKE

EY34.1 4.5 °TAPER H=100MM OVERALL HEIGHT / SPLINE HEIGHT = 59MM
O.E REF # 1340753

MID ASSY

MA34.1 COMPRISING - MS34.1 / EY34.1 / BMCB39 / MN32.3 60X22MM Ø BRG 90X5MM

MA34.2 COMPRISING - MS34.8 / EY34.1 / BMCB39 OR BMCB115A 60X26MM Ø BRG 90X5MM

MA34.3 COMPRISING - MS34.8 / EY34.1 / BMCB39 OR BMCB115 60X26MM Ø BRG 90X5MM

U'JOINT

BM99 38X148MM C/W BRACKETS **C/W INA BRG CAPS**

BM476 38X148MM C/W BRACKETS - MAINTENANCE FREE SFL **C/W INA BRG CAPS**

BM542 38X148MM **SKF BRG CAPS MAINTENANCE FREE C/W BRKTS**

CENTRE BRG

BMCB39 60X22MM (NEW TYPE ONLY, 85MM SEAL) *SEE PIC # 6* O.E REF # 1113031

BMCB115 60X26MM (ALT TYPE SEALED) NON LUBE *SEE PIC # 5* O.E REF # 13877640

BMCB115A 60X26MM (ALT TYPE SEALED) NON LUBE *SEE PIC # 5* O.E REF # 1387764

1888001983513 STEEL SHROUD FOR BMCB115

TUBE

TUBE90X5 90X5MM Ø

310.000.93427 90X5.5MM Ø

BM REF #	COMMENTS / DESCRIPTION
T60	44 X 149MM UJ
SLIP STUB	
SS114.1	P60 SLIP STUB L=238MM 90X5MM Ø TUBE - USE WITH SL114.1
SLEEVE YOKE	
SL114.1	P60 SLEEVE YOKEL=237MM 90X5MM Ø TUBE - USE WITH SL114.1
TUBE YOKE	
TY114.1	P60 TUBE YOKE 95X5MM Ø TUBE H=89MM
U'JOINT	
BM110	SCANIA T60 44X149
BM REF #	COMMENTS / DESCRIPTION
P400 / P420	48 X 161MM UJ WITH 4.5° TAPER BRACKETS
YOKE SHAFT ASSY	
SA31.1	P400 (YOKE SHAFT & SLEEVE) / 100X5MM Ø TUBE - RILSAN COATED
SA31.2	P420 WIDE ANGLE 160MM SLIP INTER AXLE SHAFTS / 85MM Ø BASE
SA31.3	P420 WIDE ANGLE 160MM SLIP INTER AXLE SHAFTS / 100X5MM Ø TUBE 32°
SA31.4	P400 (YOKE SHAFT & SLEEVE) / 100X5MM Ø TUBE - GLIDECOTE SPLINE
SA31.5	P400 (YOKE SHAFT & SLEEVE) / 100X6MM Ø TUBE - RILSAN COATED
TUBE YOKE	
TY31.1	P400 90MM BASE - TUBE 100X5MM Ø
TY31.6	P420 WIDE ANGLE 90MM BASE - TUBE 100X5MM Ø H=95MM
TY31.2	P420 WIDE ANGLE 85MM BASE - TUBE 95X5MM Ø H=95MM
TY31.3	P420 WIDE ANGLE 90MM BASE - TUBE 100X5MM Ø H=76MM
TY31.5	P400 88MM BASE - TUBE 100X6MM Ø
TY31.7	P400 100X5MM H=82MM
MID ASSY	
MA31.2	COMPRISING - MS31.1 / EY31.1 / BMCB39 / MN32.3 60X22MM 100X5MM Ø TUBE
MA31.3	COMPRISING - MS31.1 / EY31.1 / BMCB115 / MN32.3 60X26MM 100X5MM Ø TUBE
MA31.4	COMPRISING - MS31.1 / EY31.1 / BMCB115A / MN32.3 60X26MM 100X5MM Ø TUBE
MID STUB	
MS31.1	24 SPLINES 100X5MM Ø TUBE (USE EY31.1 & MN32.3) FOR BMCB39 & BMCB115
MS31.4	FRICTION WELD TYPE 100X6MM Ø TUBE H=175MM BMCB115 60X26MM BRG
MS31.5	24 SPLINES 100X4.75MM Ø TUBE (USE EY31.1 OEM & MN32.3) BMCB39 / BMCB115
END YOKE	
EY31.1	P400 24 SPLINES (USE WITH OEM MS31.5) 4.5° O.E REF # 1422427
EY31.4	P400 24 SPLINES SCANIA 8X4 2ND DIFF INPUT YOKE O.E REF # 1308761
EY31.2	DIFF YOKE P420 (OUTPUT 1st DIFF) 6X4 O.E REF # 1101295
EY31.3	DIFF YOKE P420 (INPUT 2nd DIFF) 8X4 O.E REF # 1116640
MID NUT	
MN32.3	MID NUT
U'JOINT	
BM17	48X161MM C/W BRACKETS & INA BEARING CAPS
BM17A	48X161MM C/W BRACKETS
BM477	48X161MM SFL MAINTENANCE FREE SFL C/W BRACKETS
BM731	48X161MM CENTRE LUBE P400 / C/W THREADED BRKTS (M16X2)
BM764	48X161MM SFL MAINTENANCE FREE P400 / C/W THREADED BRKTS (M16X2)

BM REF #	COMMENTS / DESCRIPTION
P400 / P420	48 X 161MM UJ WITH 4.5° TAPER BRACKETS

CENTRE BRG

BMCB39	60X22MM (NEW TYPE ONLY, 85MM SEAL) *SEE PIC # 6* O.E REF # 1113031
BMCB115	60X26MM (ALT TYPE SEALED) NON LUBE *SEE PIC # 5* O.E REF # 1387764
BMCB115A	60X26MM (ALT TYPE SEALED) NON LUBE *SEE PIC # 5* O.E REF # 1387764
1888001983513	STEEL SHROUD FOR BMCB115

TUBING

TUBE92X5	95X2MM Ø INTER AXLE
TUBE100X5	100X5MM Ø

SHAFT ASSY

PF40INTERAXLE	P420 SHAFT C/W UJ'S (588MM UJ CENTRES CLOSED)
PF40INTERAXLE/1	P420 SHAFT C/W UJ'S (498MM UJ CENTRES CLOSED)
PF40INTERAXLE/2	P420 SHAFT C/W UJ'S (530MM UJ CENTRES CLOSED)
PF40INTERAXLE/4	P420 SHAFT C/W UJ'S (700MM UJ CENTRES CLOSED)
P400YSA	P400 YSA C/W UJ'S (350MM UJ CENTRES) PSV APPLICATION

SLEEVE

SL31.1	PROFILE SLEEVE TO SUIT SA31.1 100X5MM Ø TUBE
--------	--

OIL SEAL

1.16046	GEARBOX END YOKE OIL SEAL (85X105X13/18) O.E. REF 1393331 (1502384)
1.16047	FIRST DRIVE DIFF ASSY OIL SEAL O.E. REF 1502385

BM REF #	COMMENTS / DESCRIPTION
P500 / P520	57 X 164MM UJ WITH 4.5° TAPER BRACKETS

YOKE SHAFT ASSY

SA32.1	P500 (YOKE SHAFT SET 69X2.5 (30 INV) 108X5.5MM Ø TUBE / 110MM SLIP L=314MM
SA32.2	P520 / PF50 92X5MM Ø TUBE W/ANGLE INTER AXLE 35° L = 382MM O/A
SA32.10	P520 / PF50 92X5MM Ø TUBE W/ANGLE INTER AXLE L=355MM UJ CTR TO WELD 35°
SA32.8	P500 YOKE SHAFT SET 108X5.5MM Ø TUBE / 110MM SLIP L=297MM FRICTION WELD
SA32.9	P500 YOKE SHAFT SET 108X5.5MM Ø TUBE / 110MM SLIP L=375MM GLIDCOTE SPL
SA32.5	P500 YOKE SHAFT SET 110X6MM Ø TUBE / 110MM SLIP L=310MM GLIDCOTE SPLINE

SLEEVE

SL32.1	SLEEVE P500 100X5MM (FRICTION WELD) FITS SA32.1
SL32.3	SLEEVE P500 92X5MM ORIGINAL SPLINE (FITS SA32.2)

TUBE YOKE

TY32.1	T71 / 88.2MM TUBE BASE Ø
TY32.2	P500 / 108X5.5MM Ø TUBE H=112MM
TY32.3	P520 / PF50 92X5MM Ø TUBE W/A 35° H=95MM
TY32.6	P500 / 110X6MM TUBE H = 90MM
TY32.9	P500 / 108X5.5MM TUBE H = 76MM **SCANIA OEM ** USE FOR NEW SHAFTS ONLY

FLANGE YOKE

FY32.1	P500 180KV 4X15MM
--------	-------------------

MID ASSY

MA32.2	COMPLETE P500 MID ASSY 24 SPLINE C/W BMCB39 60X22MM
MA32.3	MID STUB, END YOKE & MID NUT ONLY 24 SPLINE (LESS CTR BRG BMCB39)
MA32.4	COMPLETE P500 MID ASSY 24 SPLINE C/W BMCB115 60X26MM
MA32.5	COMPLETE P500 MID ASSY 24 SPLINE C/W BMCB115A 60X26MM

BM REF #	COMMENTS / DESCRIPTION
P500 / P520	57 X 164MM UJ WITH 4.5° TAPER BRACKETS
MID STUB	
MS32.1	24 SPLINE 22MM BRG TRACK (BMCB39 EY32.1 & MN32.3) 108X5.5MM Ø TUBE
MS32.2	24 SPLINE 26MM BRG TRACK (BMCB115 EY32.1 & MN32.3) 108X5.5MM Ø TUBE
MS32.5	24 SPSPLINE FRICTION WELD TYPE 108X5.5MM Ø TUBE H=175MM BMCB115 60X26MM
END YOKE	
EY32.1	P500 24X59.8MM SPLINE (USE WITH MS32.1 & MS32.3) 4.5° TAPER
EY32.5	P500 24X59.8MM SPLINE OEM (USE WITH MS32.1)
DIFF YOKE	
EY32.2	P520 FINAL DRIVE END YOKE 24 SPLINE (FITS REAR DIFF INPUT) O.E # 1325906
EY32.3	P520 FIRST DRIVE END YOKE 22 SPLINE OUTPUT (FITS REAR OF 1ST DRIVE) O.E # 1528989
OIL SEAL	
1.16046	GEARBOX END YOKE OIL SEAL (85X105X13/18) O.E. REF 1393331 (1502384)
MID NUT	
MN32.3	MID NUT
U'JOINT	
BM140	57X164MM C/W BRACKETS & INA BEARING CAPS
BM140A	57X164MM C/W BRACKETS
BM705	57X164MM C/W LUBE INA BRG CAPS & THREADED BRACKET HOLES M16X2
BM765	57X164MM C/W SFL INA BRG CAPS & THREADED BRACKET HOLES M16X2
BM757	57X164MM C/W SKF BRG CAPS & THREADED BRACKET HOLES M16X2
BM478	57X164MM MAINTENANCE FREE SFL C/W BRACKETS INA BRG CAPS
CENTRE BRG	
BMCB39	60X22MM (NEW TYPE ONLY, 85MM SEAL) *SEE PIC #6* O.E REF # 1113031
BMCB115	60X26MM (ALT TYPE SEALED) NON LUBE *SEE PIC #5* O.E REF # 1387764
BMCB115A	60X26MM (ALT TYPE SEALED) NON LUBE *SEE PIC #5* O.E REF # 1387764
1888001983513	STEEL SHROUD FOR BMCB115
TUBING	
TUBE90X5	90X5MM Ø
TUBE92X5	92X5MM Ø INTER AXLE
TUBE108X5.5	108X5.5MM Ø
SHAFT ASSY	
P500AS-11	P520 INTER AXLE SHAFT C/W UJ'S (525MM UJ CENTRES CLOSED)
P500AS-2	P520 INTER AXLE SHAFT C/W UJ'S (530MM UJ CENTRES CLOSED)
P500AS-3	P520 INTER AXLE SHAFT C/W UJ'S (490MM UJ CENTRES CLOSED)
P500AS-4	P520 INTER AXLE SHAFT C/W UJ'S (570MM UJ CENTRES CLOSED)
P500AS-7	P520 INTER AXLE SHAFT C/W UJ'S (600MM UJ CENTRES CLOSED)
P500AS-8	P520 INTER AXLE SHAFT C/W UJ'S (715MM UJ CENTRES CLOSED)
OIL SEAL	
1.16047	FIRST DRIVE DIFF ASSY OIL SEAL O.E. REF 1502385

BM REF #	COMMENTS / DESCRIPTION
P600	65 X 190MM UJ WITH 4.5 DEGREE TAPER BRACKETS
PROPSHAFT	
P600GL-3	P600 SCANIA MIDSHAFT 1637MM UJ C/L C/w BM227 LUBE UJS & BMCB39 CTR BRG
P600GL-6	P600 SCANIA MIDSHAFT 1637MM UJ C/L C/w BM447 SFL UJS & BMCB115 CTR BRG
P600GL-8	P600 SCANIA MIDSHAFT 1648MM UJ C/L C/w BM447 SFL UJS & BMCB115 CTR BRG
YOKE SHAFT ASSY	
SA71.2	SLIP ASSY 114.3X5.5MM TUBE RILSAN H=412MM SPICER
SA71.9	SLIPASSY 114.3X5.5MM TUBE RILSAN MAX SWING=209.5MM H=394MM
SA71.7	SLIPASSY H=355MM (9.01) DESIGN FOR SHORT COUPLE SHAFT
SA71.8	SLIPASSY H=390MM (9.01) DESIGN FOR SHORT COUPLE SHAFT
TUBE YOKE	
TY71.1	FRICTION WELD TYPE
TY71.2	TO SUIT 114.3X5.5MM Ø TUBE H=92.5MM
TY71.4	TUBE BASE 106.2MM FOR SHORT COUPLE SHAFTS
TY71.5	TO SUIT 114.3X5.5MM SWING=209.5MM H=126.5MM
TY71.6	TO SUIT 114.3X5.5MM H=151MM SPICER
FLANGE YOKE	
FY71.1	TO SUIT P600 UNIVERSAL JOINT 200X4X15MM H=95.6MM
FY71.2	TO SUIT P600 UNIVERSAL JOINT 200X4X15MM H=96.5MM
MID ASSY	
MA71.1	MID ASSY LESS BMCB115 CENTRE BRG 114.3X5.5MM Ø TUBE - SPICER
MA71.2	COMPLETE MID ASSY 114.3X5.5MM Ø TUBE COMPRISING OF - EY71.2 / MS71.2 / BMCB39 / MN32.3 / 1.15114
MA71.3	MID ASSY AS MA71.2 LESS BMCB39 CENTRE BRG 114.3X5.5MM Ø TUBE
MA71.5	COMPLETE MID ASSY 114.3X5.5MM Ø TUBE COMPRISING OF - EY71.3 / MS71.2/1 / BMCB39 / MN32.3 / 188800198513
MA71.6	COMPLETE MID ASSY 114.3X5.5MM Ø TUBE COMPRISING OF - EY71.3 / MS71.2/1 / BMCB39 / MN32.3 / 188800198513
MA71.4	COMPLETE ORIGINAL MID ASSY 208MM KV 114.3X5.5MM Ø TUBE H=80MM COMPRISING OF - CF71.2 / MS71.3 / BMCB115A / MN32.3 / 1.15114 / 188801983513
MA71.8	ORIGINAL MID ASSY 208MM KV 114.3X5.5MM Ø TUBE H=80MM - SUPPLIED WITHOUT BMCB115 CTR BRG
MA71.9	ORIGINAL MID ASSY 208MM KV 114.3X5.5MM Ø TUBE H=80MM - SUPPLIED WITH BMCB115 CTR BRG
MID STUB	
MS71.2	TO SUIT 114.3X5.5MM Ø 24 SPLINE - TO SUIT BMCB39 60X22MM CENTRE BRG
MS71.3	TO SUIT 114.3X5.5MM Ø 24 SPLINE - TO SUIT BMCB115 60X26MM CENTRE BRG
MS71.4	TO SUIT 114.3X5.5MM FRICTION WELD TYPE Ø TUBE H=175MM BMCB115 60X26MM

BM REF #	COMMENTS / DESCRIPTION
P600	65 X 190MM UJ WITH 4.5 DEGREE TAPER BRACKETS

COUPLING FLANGE

CF71.1	208X4X12MM TAPPED HOLES H=71MM 24T INVOLUTE SPLINE 59.75MM MAJOR DIA
CF71.2	208X4X12MM TAPPED HOLES H=71MM 24T INVOLUTE SPLINE 59.75MM MAJOR DIA
CF71.3	208X4X12MM G/BOX OUTPUT FLANGE H=67MM C/w 2 X DOWEL PINS O.E # 1868018

END YOKE

EY71.2	END YOKE 24 SPLINE W/o SEAL
--------	-----------------------------

YOKE SHIELD

1.15114	PLASTIC SHIELD TO SUIT EY71.2 (1300977)
---------	---

OIL SEAL

1.16046	GEARBOX END YOKE OIL SEAL (85X105X13/18) O.E. REF 1393331 (1502384)
1.16047	FIRST DRIVE DIFF ASSY OIL SEAL O.E. REF 1502385

MID NUT

MN32.3	MID NUT
--------	---------

U'JOINT

BM227	65X190MM INA BRG CAPS
BM227A	65X190MM ALTERNATIVE
BM447	65X190MM - NON LUBE SFL INA BRG CAPS
BM544	65X190MM SKF MAINTENANCE FREE SFL
BM548	65X190MM / 587.48 65X172MM COMBINATION

CENTRE BRG

BMCB39	60X22MM (NEW TYPE ONLY, 85MM SEAL) *SEE PIC #6* O.E REF # 1113031
BMCB115	60X26MM (ALT TYPE SEALED) NON LUBE *SEE PIC #5* O.E REF # 1387764
BMCB115A	60X26MM (ALT TYPE SEALED) NON LUBE *SEE PIC #5* O.E REF # 1387764
1888001983513	STEEL SHROUD FOR BMCB115

TUBING

TUBE114.3X5.5	114.3X5.5MM Ø
---------------	---------------



MERCEDES BENZ STYLE COMPONENTS



ML	ORIGINAL EQUIPMENT
PROPSHAFTS	DOUBLE JOINT 116X4X10MM (67/67 - 70MM MALE SPIGOT) CV JOINT 97/6-8MM - 86MM PCD
ML-270	ML270 FRONT PROPSHAFT 'EL' 766MM A163.410.0301
ML-270/1	ML 270 REAR PROPSHAFT DOUBLE JOINTED A163.410.0402
ML-270/2	ML270 FRONT PROPSHAFT 'EL' 696MM A163.410.0201
ML-270/3	ML270 FRONT PROPSHAFT 'EL' 717MM 97X6X8 & 116X4X10 A163.410.0901
ML-270/4	ML270 FRONT PROPSHAFT EL.571MM 97X6X8 & 116X4X10 A163.410.0101
ML-270/5	ML270 / ML500 PROPSHAFT L.TBAMM A163.410.1202
ML-270/6	ML320 PROPSHAFT L.1276MM A163.410.0702
ML-270/7	ML270 PROPSHAFT L.1275MM A163.410.0802
207/208/307/308/	407/408/410 - 24X74.5MM STAKED
SHAFT ASSY	**FRONT SHAFT **
MB-FRONT/7	90X6X10MM / 34MM SPLINE DIA 641MM FL-CTR OF BRG
MB-FRONT/9	90X6X10MM / 34MM SPLINE DIA 655MM FL-CTR OF BRG
MB-FRONT/1A	90X6X10MM / 37MM SPLINE DIA 655MM FL-CTR OF BRG
MB-FRONT/6	90X6X8MM / 34MM SPLINE DIA 808MM FL-CTR OF BRG
MB-FRONT/8	90X6X10MM / 34MM SPLINE DIA 1000MM FL-CTR OF BRG
MB-FRONT/10	90X6X10MM / 34MM SPLINE DIA 1009MM FL-CTR OF BRG
MB-FRONT/1	90X6X10MM / 37MM SPLINE DIA 1017MM FL-CTR OF BRG
SHAFT ASSY	**REAR SHAFT **
MB-REAR/4	90X6X10MM / 37MM SPLINE DIA 1090MM U-JOINT CTR.LINES
MB-REAR/1	90X6X10MM / 34MM SPLINE DIA 1100MM U-JOINT CTR.LINES
MB-REAR/2	90X6X10MM / 34MM SPLINE DIA 1390MM U-JOINT CTR.LINES
MB-REAR/5	90X6X10MM / 37MM SPLINE DIA 1390MM U-JOINT CTR.LINES
MB-REAR/3	90X6X10MM / 34MM SPLINE DIA 1400MM U-JOINT CTR.LINES
U'JOINT	
BM37	24X74.5MM STAKED (SFL) MERCEDES VITO GU299 INA BEARINGS
BM37/1	24X74.5MM STAKED (SFL) MERCEDES VITO GU299 BUDGET
BM547	24X74.5MM STAKED (SFL) MERCEDES VITO GU299 ORIGINAL OEM SPEC
CENTRE BRG	
BMCB03	45X195X19MM / 307 / 410
GAITOR	
MB-GAITOR	GAITOR + CLIPS (601.411.0197)

VITO 24X74.5MM STAKED - ORIGINAL EQUIPMENT PROPSHAFTS

MB-VITO/1	O.E REF # A6394103006 - 3 PIECE SHAFT O/ALL LENGTH = 2240MM
MB-VAM/1	VITO AFTERMARKET PROPSHAFT O/ALL LENGTH = 2240MM
MB-VITO/14	O.E REF # A6394103406 - 3 PIECE SHAFT O/ALL LENGTH = 2143MM
MB-VAM/4	VITO AFTERMARKET PROPSHAFT O/ALL LENGTH = 2143MM
MB-VITO/15	O.E REF # A6394103106 - 3 PIECE SHAFT O/ALL LENGTH = 2470MM
MB-VAM/5	VITO AFTERMARKET PROPSHAFT O/ALL LENGTH = 2470MM
MB-VITO/16	O.E REF # A6394103506 - 3 PIECE SHAFT O/ALL LENGTH = 2373MM
MB-VAM/6	VITO AFTERMARKET PROPSHAFT O/ALL LENGTH = 2373MM
MB-VITO/17	O.E REF # A6394103206 - 3 PIECE SHAFT O/ALL LENGTH = 2211MM
MB-VAM/2	VITO AFTERMARKET PROPSHAFT O/ALL LENGTH = 2211MM
MB-VITO/18	O.E REF # A6394103306 - 3 PIECE SHAFT O/ALL LENGTH = 2441MM
MB-VAM/3	VITO AFTERMARKET PROPSHAFT O/ALL LENGTH = 2441MM
MB-VITO/19	O.E REF # A6394107006 - 3 PIECE SHAFT O/ALL LENGTH = 2176MM (V6) C/w CV
MB-VAM/7	VITO AFTERMARKET PROPSHAFT - O/ALL LENGTH = 2176MM (V6) C/w CV
MB-VITO/21	O.E REF # A6394101516 - 3 PIECE SHAFT O/ALL LENGTH = 2211MM (V6) C/w CV
MB-VITO/22	O.E REF # A6394101716 - 3 PIECE SHAFT O/ALL LENGTH = 2143MM C/w CV
MB-VITO/23	O.E REF # A6394103606 - 3 PIECE SHAFT O/ALL LENGTH = 2173MM
MB-VAM/9	VITO AFTERMARKET PROPSHAFT - O/ALL LENGTH = 2173MM
MB-VITO/24	O.E. REF # A6394107106 - 3-PIECE SHAFT O/ALL LENGTH = 2406MM (V6)
MB-VITO/25	O.E. REF # A6394101816 / 6806 - 3-PIECE SHAFT O/ALL LENGTH = 2373MM (V6)
MB-VITO/26	O.E REF # A6394108506 - 3 PIECE SHAFT O/ALL LENGTH = 2286MM
MB-VITO/27	O.E REF # A6394108406 - 3 PIECE SHAFT O/ALL LENGTH = 2156MM
MB-VITO/28	O.E REF # A6394108406 - 3 PIECE SHAFT O/ALL LENGTH = 1903MM
MB-VITO/29	O.E REF # A6394103416 - 3 PIECE SHAFT O/ALL LENGTH = 2206MM
MB-VITO/30	O.E REF # A6394103516 - 3 PIECE SHAFT O/ALL LENGTH = 2436MM
MB-VITO/35	O.E REF # A6394107206 - 3 PIECE SHAFT O/ALL LENGTH = 2406MM (V6)
FLANGE YOKE	
FY40.17	122X4X10 H=42MM MERCEDES VITO
TUBE YOKE	
TY40.5	TO SUIT 60X3MM H=40MM MERCEDES VITO
YOKE SHAFT	
YS40.2	YOKESHAFT L=194MM MERCEDES VITO
SLEEVE	
SL40.2	TUBE SLEEVE 26X70MM 60X2MM H=152MM VITO - USE WITH YS40.2
SL40.3	TUBE SLEEVE 26X70MM 60X2MM H=77MM VITO - USE WITH YS40.2
U'JOINT	
BM37	24X74.5MM STAKED (SFL) MERCEDES VITO GU299 INA BEARINGS
BM37/1	24X74.5MM STAKED (SFL) MERCEDES VITO GU299 BUDGET
BM547	24X74.5MM STAKED (SFL) MERCEDES VITO GU299 ORIGINAL OEM SPEC
CENTRE BRG	
BMCB120	VITO - OE REF # 6394100081 30X148X12MM H= 100MM FRONT ORIGINAL
BMCB120A	VITO - OE REF # 6394100081 30X148X12MM H= 100MM FRONT AFTERMARKET
BMCB121	VITO - OE REF # 6394100281 30X148X12MM H=97MM REAR ORIGINAL
BMCB121A	VITO - OE REF # 6394100281 30X148X12MM H=97MM REAR AFTERMARKET
BMCB270	VITO V6 - OE REF 32X148X13MM ORIGINAL
BMCB270A	VITO V6 - OE REF 32X148X13MM AFM
BMCB291	VITO - "D" SHAPE 32X148X13MM ORIGINAL
BMCB291A	VITO - "D" SHAPE 32X148X13MM AFM
BMCB322	VITO OE REF # 4774100600 30X205X13 (30X265X13) 6 X MTG HOLES
BMCB332/1	VITO 30X148X13MM H=40MM OEM A4474103300
BMCB332	VITO 30X148X13MM H=40MM AFM A447.4103300



SPRINTER

ORIGINAL EQUIPMENT PROPSHAFTS - 2 SECTIONS

SHAFT ASSY

COMPLETE 2 SECTION PROPSHAFT- L= FLANGE - C/L OF CENTRE BRG

SPRINTER-2P	901.410.7406 @ 2724MM OVERALL LENGTH (FLANGE - CTR BRG L=1167MM)
SPRINTER-2P/1	901.410.6616 @ 2248MM OVERALL LENGTH (FLANGE - CTR BRG L=990MM)
SPRINTER-2P/2	901.410.2627 @ 2627MM OVERALL LENGTH (FLANGE - CTR BRG L=1067MM)
SPRINTER-2P/3	901.410.3806 @ 2260MM OVERALL LENGTH (FLANGE - CTR BRG L=1090MM)
SPRINTER-2P/5	901.410.4806 @ 2690MM OVERALL LENGTH (FLANGE - CTR BRG L=1130MM)
SPRINTER-2P/6	901.410.5906 @ 2176MM OVERALL LENGTH (FLANGE - CTR BRG L=880MM)
SPRINTER-2P/24	901.410.8906 @ 2123MM OVERALL LENGTH (FLANGE - CTR BRG L=2123MM)
SPRINTER-2P/28	901.410.9206 @ 2400MM OVERALL LENGTH (FLANGE - CTR BRG L=965MM)
SPRINTER-2P/33	901.410.8506 @ 2542MM OVERALL LENGTH (FLANGE - CTR BRG L=1290MM)

OTHER PART Nos AVAILABLE UPON REQUEST

SHAFT ASSY

****COMPLETE 3 SECTION PROPSHAFT****

SPRINTER-3P	132X4X10MM 901.410.2216 @ 2813MM OVERALL LENGTH / 3 SECTIONS
-------------	--

SHAFT ASSY

****FRONT SHAFT****

MB-FRONT/2	120X4X10MM / FIXED MIDSHAFT 853MM FL-FL
MB-FRONT/2A	120X4X10MM / FIXED MIDSHAFT 952MM FL-FL
MB-FRONT/12	120X4X10MM / FIXED MIDSHAFT 777MM FL-FL 906.410.0801
MBVAN-FRONT	120X4X10MM / FIXED MIDSHAFT 1057MM FL-FL

CV DRIVESHAFT

A901.330.0001	CV JOINTED DRIVESHAFT L=640MM
A906.410.4401	CV JOINTED DRIVESHAFT 100X9X8MM L=640MM
A901.337.0185	DRIVESHAFT REPAIR KIT (TRANSMISSION END)

C.V.JOINT

BMCV09	TO SUIT SPRINTER OMNIBUS 100.2X6X8.2MM - 12MM PLUNGE - H =104.5MM
--------	--

U'JOINT

BM566	24X88MM SPRINTER & E CLASS (SFL)
BM566/1	24X88MM SPRINTER & E CLASS C/W INA BRG CAPS (SFL)
BM200	27X74MM (SFL) SPRINTER STAKED
BM200/1	27X74MM (SFL) SPRINTER C/w INA BRG CAPS
BM582	27X88MM (SFL) NEW MERCEDES SPRINTER C/w INA BRG CAPS
BM582A	27X88MM (SFL) NEW MERCEDES SPRINTER *AFTERMARKET*

CENTRE BRG

BMCB59	45X194X19MM / EARLY SPRINTER ONLY
BMCB196	SPRINTER 47X194X21MM 906.410.1881 O.E. SLIP MID H=73MM
BMCB196A	SPRINTER 47X194X21MM 906.410.1881 "AFTERMARKET" H=73MM
BMCB196B	SPRINTER 906.410.1881 "AFTERMARKET" H=68MM
BMCB196C	SPRINTER 906.410.1881 "AFTERMARKET" H=68MM C/w FAG BRG
BMCB196D	SPRINTER 906.410.1881 "AFTERMARKET" H=73MM
BMCB197	SPRINTER 47X194X21MM 906.410.0181/0381 O.E. SLIP MID H=68MM
BMCB197A	SPRINTER 47X194X21MM 906.410.0181/0381 "AFTERMARKET" H=68MM
BMCB197B	SPRINTER 47X194X21MM 906.410.0181/0381 "AFTERMARKET" H=68MM
BMCB268	SPRINTER 47X194X21MM O.E.REF 906.410.1081 FOR MID SHAFTS H=68MM

SPRINTER ORIGINAL EQUIPMENT PROPSHAFTS - 2 SECTIONS

BMCB268A SPRINTER 47X194X21MM 906.410.1081 "AFTERMARKET" H=68MM
 BMCB268B SPRINTER 47X194X21MM 906.410.1081 "AFTERMARKET" H=68MM
 BMCB269 SPRINTER 47X194X21MM O.E. REF 906.410.1381 FOR MID SHAFTS H=73MM
 BMCB269A SPRINTER 47X194X21MM 906.410.1381 "AFTERMARKET" H=73MM

FLANGE YOKE

FY3.9 1310SRS 27X81.8MM UJ 120X4X10MM MERCEDES SPRINTER
 FY42.17 287.10SRS 97X4X10MM H=48MM 1310SAE
 FY42.2 287.10SRS 120X4X10MM MERCEDES SPRINTER

SLIP-MID ASSY

SA24.13 SPRINTER Y/SHAFT & SLEEVE W/o 45MM BMCB59 Ø TUBE 76.2X2.4MM
 SA24.14 SPRINTER Y/SHAFT & SLEEVE W/o 47MM BMCB196 Ø TUBE 76.2X2.4MM
 SA24.15 SPRINTER Y/SHAFT & SLEEVE C/w 50MM BRG Ø TUBE 70X2MM H=222MM

SLEEVE

SL42.1 MID SLEEVE TO SUIT 70X3MM Ø TUBE & BMCB59 CTR BRG
 SL24.4 MB SPRINTER 45MM Ø MID SLEEVE SPRINTER 2020 BMCB59 3X.095"

TUBE

TUBE70X2 70X2MM Ø TO SUIT MERCEDES VAN
 TUBE70X2/90X2 SWAGED TO SUIT 70X2/90X2 Ø 1315MM O/A TO SUIT MERCEDES VAN

GAITOR

MB-GAITOR GAITOR + CLIPS (901.411.0097)

MID STUB

MS3.18 TO SUIT 47MM C/BRG BMCB196B 70X1.6MM TUBE USE WITH
 CF3.10 FLANGE **VW KRAFTER & MERCEDES SPRINTER**

COUPLING FLANGE

CF3.10 **VW KRAFTER & MERCEDES SPRINTER** USE WITH MID STUB MS3.18
 & BMCB196B
 CFSPRINTER O.E. 906.410.1581 COUPLING FLANGE C/w CTR BRG (BMCB268 H=68MM)
 CFSPRINTER/1 O.E. 906.410.1681 COUPLING FLANGE C/w CTR BRG (BMCB269 H=73MM)

RUBBER COUPLING

FC-20 SPRINTER DAMPER COUPLING O.D. = 160MM,
 P.C.D. = 120MM 8X12MM HOLES 36MM OVERALL THICKNESS, 16MM BUSH
BOLT HOLE SPACING = 71.9X85.8MM 67MM DIN (FEMALE SPIGOT)

SPRINTER-FRONT/6 **L=821MM** 132X4X10MM FLANGE PCD=111MM FEMALE SPIGOT TUBE Ø 70MM
 SPRINTER-FRONT/9 **L=845MM** 132X4X10MM FLANGE PCD =111MM TUBE Ø 70MM A9064102101
 SPRINTER-FRONT/3 **L=853MM** 132X4X10MM FLANGE PCD =111MM TUBE Ø 70MM A9064103401
 / 2E0521101T
 SPRINTERFRONT/10 **L=891MM** FE 146X4X12 PCD=120MM / ME 132X4X10MM PCD=111MM
 A9064102001
 SPRINTERFRONT/11 **L=891MM** FE=160X8X12MM RUBBER COUPLING ME=135X4X10MM
 A9064104801
 SPRINTER-FRONT/1 **L=921MM** 132X4X10MM FLANGE PCD=111MM TUBE Ø 70MM
 A9064102201 / 2E0521099D

PROPSHAFT

SPRINTER-1P/2 SLIDING PROPSHAFT 132X4X10MM Lz= 515MM TUBE DIA Ø 70MM
 SPRINTER-1P/3 SLIDING PROPSHAFT 132X4X10MM Lz. 1217MM SWAGED TUBE
 DIA Ø 70MM / 80MM

PROPSHAFT 2 SECTION

SPRINTER-2P/2 PROPSHAFT 2 SECTION 132X4X10MM / 146X4X12MM Lz. 2627MM
 A906.410.7606
 SPRINTER-2P/8 PROPSHAFT 2 SECTION 132X4X10MM Lz.2582MM A9064107516
 SPRINTER-2P/9 PROPSHAFT 2 SECTION 132X4X10MM Lz.2428MM A9064109306

SPRINTER
ORIGINAL EQUIPMENT PROPSHAFTS - 2 SECTIONS

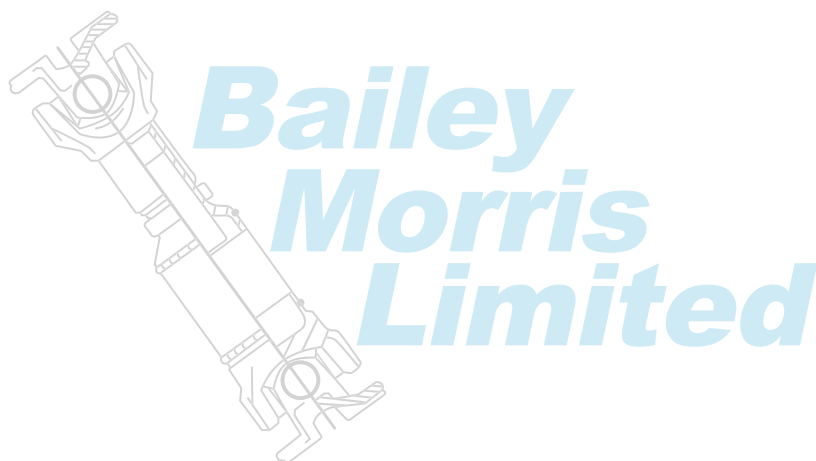
SPRINTER-2P/11	PROPSHAFT 2 SECTION 132X4X10MM / 146X4X12MM Lz. 2399MM A906.410.5306
SPRINTER-2P/12	PROPSHAFT 2 SECTION 132X4X10MM Lz. 2815MM A906.410.9406
SPRINTER-2P/13	PROPSHAFT 2 SECTION 132X4X10MM Lz. 2554MM A9064107616 / 2E0521101J / 2E0521163R
SPRINTER-2P/19	PROPSHAFT 2 SECTION 132X4X10MM Lz.2850MM A9064104406
SPRINTER-2P/20	PROPSHAFT 2 SECTION 132X4X10MM Lz.2748MM A9064109906
SPRINTER-2P/21	PROPSHAFT 2 SECTION 132X4X10MM Lz.2843MM A9064102016
SPRINTER-2P/22	PROPSHAFT 2 SECTION 132X4X10MM Lz.2360MM A9064102006
SPRINTER-2P/23	PROPSHAFT 9064102716 REPLACED BY SPRINTER-2P/29
SPRINTER-2P/24	PROPSHAFT 2 SECTION 120X4X10MM Lz=2123MM A9014109806
SPRINTER-2P/25	PROPSHAFT 2 SECTION 132X4X10MM Lz.2775MM A9064102106
SPRINTER-2P/26	PROPSHAFT 2 SECTION 132X4X10MM Lz.2767MM A9014105606
SPRINTER-2P/28	PROPSHAFT 2 SECTION 120X4X10MM Lz.2400MM A9014109206
SPRINTER-2P/29	PROPSHAFT 2 SECTION 132X4X10MM Lz.2560MM A9064107916
SPRINTER-2P/30	PROPSHAFT 2 SECTION 132X4X10MM Lz. 2789MM A9064103816
SPRINTER-2P/31	PROPSHAFT 2 SECTION 132XX4X10MM Lz.2811MM A9064100916
SPRINTER-2P/32	PROPSHAFT 2 SECTION 132X4X10MM / 146X4X12MM Lz.2787MM A9064105806
SPRINTER-2P/34	PROPSHAFT 2 SECTION 132X4X10MM Lz.2736MM A9064106616/6606
SPRINTER-2P/35	PROPSHAFT 2 SECTION 132X4X10MM Lz.2396MM A9064107606
SPRINTER-2P/36	PROPSHAFT 2 SECTION 158X8X12 / 120MM / 132X4X10MM Lz.2816MM A9064103616
SPRINTER-2P/37	PROPSHAFT 2 SECTION 132X4X10MM /146X4X12MM Lz.2814MM 2 A9064105306
SPRINTER-2P/38	PROPSHAFT 2 SECTION 132X4X10MM Lz.2351MM A9064105506
SPRINTER-2P/39	PROPSHAFT 2 SECTION 132X4X10MM Lz.2385MM A9064100616
SPRINTER-2P/40	PROPSHAFT 2 SECTION 132X4X10MM / 146X4X12MM Lz.2372MM A9064105706
SPRINTER-2P/41	PROPSHAFT 2 SECTION 132X4X10MM / 158X8X12 RUBBER COUPLING Lz.2372MM A9064105706
SPRINTER-2P/42	PROPSHAFT 2 SECTION 132X4X10MM Lz.2727MM A9064103400
SPRINTER-2P/43	PROPSHAFT 2 SECTION 132X4X10MM Lz.2412MM A9064101416 / A9064103706
SPRINTER-2P/44	PROPSHAFT 2 SECTION 132X4X10MM Lz.2718MM A9064101216
SPRINTER-2P/45	PROPSHAFT 2 SECTION 132X4X10MM Lz.2367MM A9064101006
SPRINTER-2P/46	PROPSHAFT 2 SECTION 132X4X10MM Lz.2314MM A9064102706 / A9064100716
SPRINTER-2P/47	PROPSHAFT 2 SECTION 132X4X10MM / 146X4X12MM Lz.2785MM A9064107406
SPRINTER-2P/48	PROPSHAFT 2 SECTION 132X4X10MM / 160X4X12MM RUBBER COUPLING Lz.2755MM A9064105716
SPRINTER-2P/49	PROPSHAFT 2 SECTION 132X4X10MM Lz.2739MM A9064106006
SPRINTER-2P/50	PROPSHAFT 2 SECTION 132X4X10MM Lz.2404MM A9064101316
SPRINTER-2P/51	PROPSHAFT 2 SECTION 132X4X10MM /146X4X12MM Lz.2404MM A9064107206
SPRINTER-2P/52	PROPSHAFT 2 SECTION 132X4X10MM Lz.2767MM A906415606 / 2E0521101AT
SPRINTER-2P/53	PROPSHAFT 2 SECTION 132X4X10MM /152X4X12MM RUBBER COUPLING Lz.2374MM A9064103716
SPRINTER-2P/54	PROPSHAFT 2 SECTION RUBBER COUPLING Lz.2724MM A9064102000 / 2E0521163BF
SPRINTER-2P/55	PROPSHAFT 2 SECTION A9064106916

SPRINTER

ORIGINAL EQUIPMENT PROPSHAFTS - 2 SECTIONS

PROPSHAFTS 3 SECTION

SPRINTER-3P	SPRINTER 3 SECTION 132X4X10MM Lz 3813MM A9064102216
SPRINTER-3P/1	SPRINTER 3 SECTION 132X4X10MM Lz.2774MM A9064101716
SPRINTER-3P/2	SPRINTER 3 SECTION 132X4X10MM Lz.2842MM A9064101616



VOLVO STYLE COMPONENTS



BM REF #	COMMENTS / DESCRIPTION
----------	------------------------

SHAFT ASSY

FANSHAFTS

BMFS16	2015 SRS FANSHAFT TO SUIT B10M B9M MK4 MK3 O.E. REF # 3037490-4
BMFS18	2015 SRS FANSHAFT VOLVO B10M / L.480MM O.E. REF # 20565732
BMFS19	2015 SRS FANSHAFT VOLVO B12 / L.518.5MM O.E. REF # 21038602 22070240
BMFS20	2015 SRS FANSHAFT VOLVO COACH / L.437MM O.E. REF # 20854105
BMFS21	2015 SRS FANSHAFT VOLVO COACH / L.460MM O.E. REF # 21174448
BMFS22	2015 SRS FANSHAFT VOLVO COACH / L.478MM O.E. REF # 21017681
BMFS23	2015 SRS FANSHAFT VOLVO BUS / L=385MM O.E. REF # 2212175



NK300 PROPSHAFTS

SHAFT ASSY

COACH APPLICATIONS

300YSA-1	175MM 1610SAE SHORT COUPLE SHAFT AT 410MM FFC NK400 PROPSHAFTS
----------	---

SHAFT ASSY

8X4 VOLVO FL10 + FL12

262946	PROPSHAFT INTER AXLE 1610SAE Lz. 690MM
262953	PROPSHAFT INTER AXLE 1610SAE Lz. 830MM

SHAFT ASSY

COACH APPLICATIONS

BMPS61-NEW	VOLVO B10L 2045 YSA 180X4X15MM @ 541MM FFC
BMPS62-NEW	SHORT COUPLE YSA 1710SAE TO SUIT VOLVO B10M Lz. 490MM
BMPS65	SHORT COUPLE YSA 1710SAE TO SUIT VOLVO B10M Lz. 420MM

SHAFT ASSY

"OFF HIGHWAY" APPLICATIONS

400YSA-2	YSA NK500 SPLINE (75x2.5mm PROFILE) FLANGES 1810SAE / 1610SAE Lz. 420MM
400YSA-7	YSA NK400 VOLVO Lz.440MM FLANGES 1810SAE
400YSA-8	NK400 VOLVO A35 6X6 Lz.415MM FLANGES 1810SAE) / 1610SAE
400YSA-9	YSA NK400 VOLVO A35 6X6 Lz.425MM FLANGES 1810SAE

SLIP ASSY

SA19.2	LESS UJ & FLANGE TO SUIT 85X4MM Ø TUBE H=311MM
--------	--

FLANGE YOKE

FY19.1	175MM 1610SAE H=62MM
FY19.4	150X8X12MM H=75MM

BM REF #	COMMENTS / DESCRIPTION
NK 300	44X126MM UJ

TUBE YOKE

TY19.1 44X126MM UJ / 85X4MM Ø TUBE

MID ASSY

MA19.1 175MM 1610SAE C/W BMCB62 LUBE BEARING (COMPACT STYLE)

MA19.2 175MM 1610SAE C/W BMCB09 / 85X4MM Ø TUBE

MA19.3 175MM 1610SAE C/W BMCB134 45MM Ø NON LUBE BRG

MID STUB

MS19.1 TO SUIT 85X4MM Ø H=150MM STUB Ø = 60MM

COMP FLANGE

CF19.1 175MM 1610SAE

FIXINGS

MN20.1 NK300/400 MID NUT

MW20.1 NK300/400 MID WASHER

MC20.1 NK300/400 CIRCLIP

MLW20.1 NK300/400 LOCK WASHER

NK23227 NK300/400 FLINGER

SLEEVE

SL19.1 SLEEVE TO SUIT SA19.1 / 85X4MM Ø TUBE

U'JOINT

BM108 44X126MM C/W PLATES & BOLTS CENTRE LUBE ****PREMIUM****

CENTRE BRG

BMCB09 60X198X30MM (SEE PIC #25)

BMCB09/A 60X198X30MM ALTERNATIVE (SEE PIC #25)

BMCB134 45X194X19MM / SOLID RUBBER W/o LUBE (SEE PIC #14)

BMCB37 60X198X30MM CAST BRACKET / MOXY DUMPTRUCK

BMCB92 60X198X30MM (HARD RUBBER SHORE 80) (SEE PIC #25)

TUBE

TUBE 85X4 85X4MM

BM REF #	COMMENTS / DESCRIPTION
NK 400	50X152.6MM UJ

YOKE SHAFT ASSY 9.03 DESIGN

400YSA-3 YSA (SHORT COUPLE LESS UJS & FLANGES C/w SEAL TUBE) @ 393MM UJ CL

9800410310300 SHORT COUPLE Lz=415MM FLANGES 1810SAE & 1610SAE **NK500 SPLINES**

9800400310421 SHORT COUPLE Lz=420M FLANGES 203/12X11MM1810SAE

9800410310400 SHORT COUPLE Lz=425MM FLANGES 1810SAE & 1610SAE **NK500 SPLINES**

9800410310500 SHORT COUPLE Lz=425MM FLANGES 203/16X11MM **NK500 SPLINES**

9800400310440 SHORT COUPLE Lz=440MM FLANGES 203/12X11MM 1810SAE

9800400310461 SHORT COUPLE Lz=460MM FLANGES 203/12X11MM 1810SAE

9800400310491 SHORT COUPLE Lz=490MM FLANGES 203/12X11MM 1810SAE

9800400310515 SHORT COUPLE Lz=515MM FLANGES 203/12X11MM 1810SAE

SLIP ASSY LESS FLANGE & UJ

SA20.7 92X5MM Ø TUBE 110MM SLIP "ALT" H=365MM

SA20.3 92X5MM Ø TUBE 110MM SLIP (32°) H=333MM

SA20.5 91X4.5MM Ø TUBE 160MM SLIP (32°) H=354MM

FLANGE YOKE

FY20.1 1610SAE 8 X 9.6MM BOLT (32°) H=76MM **VOLVO INTERAXLE**

FY20.2 1710SAE 8 X 9.6MM BOLT (22°) H=76MM

FY20.3 1810SAE 12 X 11.1MM BOLT (22°) H=76MM

FY20.5 1810SAE X 16 11.1MM BOLT (22°) H=76MM **OFF HIGHWAY**

FY20.8 1810SAE 12 X 10MM BOLT (22°) H=76MM

BM REF #	COMMENTS / DESCRIPTION
NK 400	50X152.6MM UJ

TUBE YOKE

TY20.1 91X4.5MM Ø TUBE (22°) H=90MM
 TY20.2 92X5MM Ø TUBE INTER AXLE (32°) H=110MM

MID ASSY

MA20.1 203MM 1810SAE BMCB09 / 91X4.5MM Ø TUBE H=78MM
 MA20.2 203MM 1710SAE BMCB09 / 91X4.5MM Ø TUBE H=78MM
 MA20.3 7C 60MM CAST BRG (BMCB37) TO SUIT MOXY DUMP TRUCK

MID STUB

MS20.1 91X4.5MM Ø TUBE H=150MM STUB Ø = 60MM

COMP FLANGE

CF20.1 1710SAE 9.6MM BOLT
 CF20.2 1810SAE 11.1MM BOLT
 CF20.4 180X8X14MM

FIXINGS

MN20.1 NK300/400 MID NUT
 MW20.1 NK300/400 MID WASHER
 MC20.1 NK300/400 CIRCLIP
 MLW20.1 NK300/400 LOCK WASHER
 NK23227 NK300/400 FLINGER

SLEEVE

SL20.1 FEMALE SLEEVE 160MM SLIP / 91X4.5MM Ø TUBE H=258MM
 SL52.4 FEMALE SLEEVE 160MM SLIP / 92X5MM Ø TUBE

U'JOINT

BM134 50X152.6MM C/W PLATES & BOLTS ****PREMIUM INA BRG CAPS****
 BM134A 50X152.6MM C/W PLATES & BOLTS ALTERNATIVE

CENTRE BRG

BMCB09 60X198X30MM (SEE PIC #25)
 BMCB09/A 60X198X30MM ALTERNATIVE (SEE PIC #25)
 BMCB37 60X198X30MM CAST BRACKET / MOXY DUMPTRUCK
 BMCB92 60X198X30MM (HARD RUBBER SHORE 80) (SEE PIC #25)

TUBE

TUBE 92X5 92X5MM Ø

BM REF #	COMMENTS / DESCRIPTION
NK 500	57X152MM UJ

SLIP ASSY

SA21.2 LESS FLANGE & UJ / 100X6MM Ø TUBE H=342MM

FLANGE YOKE

FY21.2 203MM 1810SAE 57X152MM UJ H=80MM

TUBE YOKE

TY21.1 57X152MM UJ / 100X6MM Ø TUBE H=115MM

SLEEVE

SL21.1 SLEEVE TO SUIT 100X6MM Ø TUBE H=245MM

MID ASSY

MA21.1 203MM 1810SAE C/W BMCB48 70X198X20MM CENTRE BRG 100X6MM Ø TUBE

MID STUB

MS21.1 TO SUIT 100X6MM Ø TUBE H=130MM STUB DIA=70MM
 MS21.2 TO SUIT 130X6MM Ø TUBE (2060)

COMP FLANGE

CF21.1 203MM NK600 12 BOLT HOLES 1810 SAE

BM REF #	COMMENTS / DESCRIPTION
NK 500	57X152MM UJ

FIXINGS

MN21.1	NK500/600 MID NUT
MC21.1	NK500/600 CIRCLIP
MLW21.1	NK500/600 LOCK WASHER
NK24149-500	NK500/600 FLINGER

U'JOINT

BM142A	57X152MM C/W PLATES & BOLTS ** ALTERNATIVE **
BM142	57X152MM C/W PLATES & BOLTS CENTRE LUBE **PREMIUM**
BM220	57X152MM NON LUBE C/W PLATES & BOLTS GENUINE NORDISKA

CENTRE BRG

BMCB48	70X198X20MM (SEE PIC #25)
BMCB48A	70X198X20MM ALTERNATIVE NK500 & NK600 VOL.70
BMCB48/A	70X198X20MM LESS OUTER BRACKET (SEE PIC #25)

TUBE

310.000.93431	100X6MM Ø
---------------	-----------

BM REF #	COMMENTS / DESCRIPTION
NK 600	57X152MM UJ

YOKE SHAFT ASSY

SA22.1	LESS FLANGE & UJ / HEAVY DUTY SPLINE 114.3X5.5MM Ø TUBE H=350MM
--------	---

FLANGE YOKE

FY21.2	203MM 1810SAE 57X152MM UJ H=80MM
--------	----------------------------------

TUBE YOKE

TY22.1	57X152MM UJ / 114.3X5.5MM Ø TUBE H=115MM
--------	--

MID ASSY

MA22.1	203MM 1810SAE C/W BMCB48 70X198X20MM 114X5.5MM Ø TUBE
--------	---

COMP FLANGE

CF21.1	203MM 1810 SAE TO SUIT MS22.1
--------	-------------------------------

MID STUB

MS22.1	TO SUIT 114.3X5.5MM TUBE H=130MM
--------	----------------------------------

FIXINGS

MN21.1	NK500/600 MID NUT
MC21.1	NK500/600 CIRCLIP
MLW21.1	NK500/600 LOCK WASHER
NK24149-500	NK500/600 FLINGER

U'JOINT

BM142A	57X152MM C/W PLATES & BOLTS ** ALTERNATIVE **
BM142	57X152MM C/W PLATES & BOLTS CENTRE LUBE **PREMIUM**
BM220	57X152MM NON LUBE C/W PLATES & BOLTS GENUINE NORDISKA

CENTRE BRG

BMCB48	70X198X20MM (SEE PIC #25) NK24552
BMCB48A	70X198X20MM (SEE PIC #25) ALTERNATIVE VOL.70
BMCB48/A	70X198X20MM LESS OUTER BRACKET (SEE PIC #25)

TUBE

TUBE114.3X5.5	114.3X5.5MM Ø
---------------	---------------

BM REF #	COMMENTS / DESCRIPTION
2045 / 2047	687.45 & KLEIN 590SRS 52 X 147.2MM UJ

SHAFT ASSY

20476720	VOLVO I/AXLE 180KV 180MM SLIP Lz.684MM SFL UJS PHASED 90° ORIGINAL
590YSA-2	VOLVO INTER-AXLE 180KV SLIP Lz.684MM SFL UJS PHASED 90° OE20476719
590YSA-3	VOLVO I/AXLE 180KV 180MM SLIP Lz.684MM SFL UJS PHASED 0° OE# 20476719
590YSA-4	VOLVO I/AXLE 180KV 180MM SLIP Lz.684MM LUBE UJS PHASED 0° OE# 20476719
BMPS61-NEW	VOLVO B10L 2045 YSA 180X4X15MM @ 541MM FFC
2045YSA-22	VOLVO SHORT COUPLE YSA 180KV Lz=441MM O.E. #20506698
2045YSA-7	VOLVO SHORT COUPLE YSA 180KV Lz=451MM O.E #20506698 / 20506699
2045YSA-7A	VOLVO SHORT COUPLE YSA 180KV Lz=451MM AFM #20506698 / 20506699
2045YSA-4	VOLVO SHORT COUPLE SHAFT 180KV Lz=626MM O.E # 20489408
2045YSA-9	VOLVO SHORT COUPLE YSA @ 468MM UJ CLOSED La.180MM 9.01 (0°)

FLANGE YOKE

FY30.3	GWB 180X4X15MM Ø H=108MM 44°
FY30.23	180X4X15MM Ø H=108MM 44°

U'JOINT

BM135	52X147.2MM / CENTRE LUBE (KLEIN)
BM338	52X147.2MM C/w INA BEARING CAPS
BM338A	52X147.2MM ALTERNATIVE
BM319	52X147.2MM / SEALED FOR LIFE (KLEIN)
BM319A	52X147.2MM / SEALED FOR LIFE (GWB)
BM319B	52X147.2MM 2045 (SFL) INA BEARINGS
BM536	52X147.2MM 2045 (SKF) BEARINGS

BM REF #	COMMENTS / DESCRIPTION
2055 / 687.55	& 620 KLEIN 57 X 152MM

YOKE SHAFT ASSY

SA59.2	KLEIN 110MM SLIP / H=287MM 120X6MM Ø TUBE 25°
SA59.1	SPICER 110MM SLIP / H=287MM 120X6MM Ø TUBE 25°
SA59.21	SPICER 110MM SLIP / H=287MM 120X6MM Ø TUBE 25° VOLVO LUBE IN SEAL TUBE
SA59.6	ALTERNATIVE 110MM SLIP / 120X6MM Ø TUBE 25°

FLANGE YOKE

FY59.9	150X4X13MM H=92MM 25° ORIGINAL KLEIN
FY59.1	180X4X15MM H=92MM 25° ORIGINAL KLEIN
FY59.6	180X4X15MM H=92MM 25° 2055 ORIGINAL
FY59.14	180X4X15MM H=92MM 25° 2055

TUBE YOKE

TY59.1	ORIGINAL KLEIN 120X6MM Ø TUBE 25° H=100MM
TY59.3	ALTERNATIVE 120X6MM H=Ø TUBE H=105MM
TY59.5	ORIGINAL SPICER 120X6MM TUBE 25° H=100MM

MID ASSY

MA59.5	180X4X15MM C/W 70MM Ø BRG BMCB52 H=107MM / 120X6MM Ø TUBE VOLVO
MA59.12	180X4X15MM C/W 70MM Ø BRG BMCB192 H=107MM / 120X6MM Ø TUBE VOLVO
MA59.13	180X4X15MM C/W 70MM Ø BRG BMCB109 H=107MM / 120X6MM Ø TUBE VOLVO
21096141	180X4X15MM COMP.FL + BRG BMCB109 C/w BOLT - GENUINE VOLVO O.E.21096141

BM REF #	COMMENTS / DESCRIPTION
2055 / 687.55	& 620 KLEIN 57 X 152MM

MID SLEEVE

MS59.5 MID SPLINED SLEEVE- USE WITH CF59.2/10038/BMCB52
OR BMCB109 TO SUIT 120X6MM Ø TUBE

COMP FLANGE

CF59.2 180X4X15MM USE WITH CF59.2/10038/BMCB52 OR BMCB109
CF59.2/1 180X4X15MM USE WITH CF59.2/10038/BMCB52,BMCB109,BMCB54
OR BMCB66

BOLT

10038 BOLT TO SUIT MS59.5 & CF59.2

SLEEVE

SL59.1 TO SUIT SA59.1 / 120X6MM Ø TUBE **GWB**
SL59.2 TO SUIT SA59.2 / 120X6MM Ø TUBE **KLEIN**

SEAL TUBE

ST30.1 TO SUIT SA59.2 130MM LONG - **KLEIN**
ST59.1 TUBE TO SUIT SA59.1 - **GWB**

U'JOINT

BM143 57X152MM / CENTRE LUBE **GENUINE KLEIN**
BM262 57X152MM / NON LUBE **GENUINE KLEIN**
BM262A 57X152MM / NON LUBE
BM262B 57X152MM / NON LUBE **SFL INA BEARING CAPS**
BM539 57X152MM / NON LUBE **SKF BEARING CAPS** (SFL) MAINTENANCE FREE
BM679 57X152MM **SPICER** GENUINE WITH LUBE

CENTRE BRG

BMCB52 70X220X20MM SLOTTED RUBBER & MTG HOLES **O.E. / 1068222** SEE PIC #25
BMCB109 70X220X20MM SLOTTED RUBBER & 2 X SEALS **O.E. / 20471428** SEE PIC #25
BMCB192/1 70X220/230X26MM SPICER VOLVO 2055/2060 SRS **VOLVO- NOW USE BMCB257**
BMCB257/1 70X220/230X26MM SPICER VOLVO 2055/2060 SRS **VOLVO**
BMCB331 70X220/230X26MM SPICER VOLVO 2055/2060 SRS **VOLVO**

TUBING

310.000.93458 120X6MM

BM REF #	COMMENTS / DESCRIPTION
2060 / 687.60	59 X 167.7MM

SLIP ASSY

SA61.5 SLIPASSY 2060 180X4X15 130X6MM SFL H=385MM La=110MM

YOKE SHAFT ASSY

SA61.1 110MM SLIP / 130X6MM Ø TUBE L=285MM
SA61.3 110MM SLIP / 130X6MM Ø TUBE L=315MM
SA61.4 110MM SLIP / 130X6MM 9.01 25° - CAN INSERT TUBE YOKE FOR
SHORT COUPLE USE WITH ST61.1 SEAL TUBE

SLEEVE

SL61.1 TO SUIT SA61.2 TUBE 130X6MM

FLANGE YOKE

FY61.1 180X4X15MM H=103MM
FY61.3 203MM 1810SAE (M11 HOLES) H=95MM
FY61.4 203MM 1810SAE (M11 HOLES) H=92MM

TUBE YOKE

TY61.1 TO SUIT 130X6MM Ø TUBE
TY61.3 TO SUIT 130X6MM Ø TUBE H=105MM

BM REF #	COMMENTS / DESCRIPTION
2060 / 687.60	59 X 167.7MM
MID ASSY	
MA61.3	180X4X15MM C/W 70MM Ø BRG BMCB52 / 130X6MM Ø SLOTTED RUBBER VOLVO
MA61.5	180X4X15MM C/W 70MM Ø BRG / 130X6MM Ø VOLVO 2 BOLT FITTING
21096141	180X4X15MM COMP.FL + BRG BMCB109 C/w BOLT - GENUINE VOLVO O.E. 21096141
MID SLEEVE	
MS61.1	MID SPLINED SLEEVE- USE WITH CF59.2/10038/BMCB52 OR BMCB109 TO SUIT 130X6MM Ø TUBE
COMP FLANGE	
CF59.2	180X4X15MM USE WITH CF59.2/10038/BMCB52 OR BMCB109
BOLT	
10038	BOLT TO SUIT MS59.5 & CF59.2
SLEEVE	
SL59.1	TO SUIT SA59.1 / 120X6MM Ø TUBE SPICER
SL59.2	TO SUIT SA59.2 / 120X6MM Ø TUBE KLEIN
U'JOINT	
BM147	59X167.7MM / CENTRE LUBE ORIGINAL SPICER
BM237	59X167.7MM / CENTRE LUBE
BM238	59X167.7MM / SFL VERSION ORIGINAL SPICER
BM238A	59X167.7MM / LUBE C/w INA BRG CAPS
CENTRE BRG	
BMCB52	70X220X20MM SLOTTED RUBBER & MTG HOLES VOLVO
BMCB109	70X220X20MM SLOTTED RUBBER & MODIFIED SEAL VOLVO
BMCB192/1	70X220/230X26MM SPICER VOLVO 2055/2060 SRS VOLVO- NOW USE BMCB257
BMCB257/1	70X220/230X26MM SPICER VOLVO 2055/2060 SRS VOLVO
TUBE ADAPTOR	
1000000650335	TUBE ADAPTOR 130X6MM → 180X4MM
TUBING	
TUBE130X6	130X6MM
TUBE180X4	180X4MM

IF YOU REQUIRE AN ITEM NOT LISTED HERE PLEASE CONTACT OUR SALES OFFICE
PLEASE ALSO NOTE THAT PRICES ARE NEGOTIABLE FOR QUANTITY PURCHASES



BM REF #	COMMENTS / DESCRIPTION
2060 / 687.60	59 X 167.7MM

TRANSMISSION

FLANGES

FLANGES VOLVO

8171360	150KV 4 BOLT HOLES TRANSFER BOX FLANGE (O.E.# 8171360)
8172622	180KV 4 BOLT HOLES 21 TEETH - FM9/FM12/FH16/FH16 (O.E. # 8172622 & 3192151)
8172642	180KV 4 BOLT HOLES GEAR BOX & MID LIFT AXLE TRANSFER BOX (O.E.# 8172642)
8172618	180KV 4 BOLT HOLES 21 TEETH - (O.E. # 8172618 & 3192149)
20706812	180KV 4 BOLT HOLES 21 TEETH - FM7/9/10/12/FH12/FH16 (O.E. # 3152328 & 1672275)
20706913	180KV 4 BOLT HOLES 19 TEETH - FM9/12/FH12/FH16 (O.E. # 3152324 & 1524840)
20706810	180KV 4 BOLT HOLES 21 TEETH - FM7/9/12/FH12/FH16 (O.E. # 3152322 & 1069140)
20773853	180KV 4 BOLT HOLES VOLVO AXLE FLANGE
20801083	180KV 4 BOLT HOLES VOLVO AXLE FLANGE O.E # 20801083



ELBE STYLE COMPONENTS



BM REF #	COMMENTS / DESCRIPTION
0.105	17 X 41MM UJ
SLIP ASSY	
SA80.1	58X4X5MM H=167MM / 28X1.5MM TUBE La.25MM
SA80.2	H=120MM / 28X1.5MM TUBE La.25MM SLIP
SA80.3	H=132MM / 28X1.5MM TUBE La.40MM SLIP (25°)
FIXED END	
FE80.1	58X4X5MM H=62MM / 28X1.5MM TUBE
FLANGE YOKE	
FY80.1	58X4X5MM H=30MM
FY80.2	65X4X6MM H=30MM
FY80.4	65MM DIAMETER BLANK H=30MM
TUBE YOKE	
TY80.1	28.5X1.5MM TUBE H=32MM
END YOKE	
EY80.1	20MM BORE H7 C/W KEY H=50MM
EY80.2	20MM BORE H7 H=50MM
1.105.320.003	SPLINED END YOKE 20X1.5X12 - USE WITH 0.105.093.049
SHORT COUPLE	
0.105.130.001	SHORT COUPLE 58X4X5MM / 165MM OVER FLANGES CLOSED
0.105.140.0002	SHORT COUPLE 58X4X5MM / 215MM OVER FLANGES CLOSED 25MM SLIP
0.105.100.5002	SHORT COUPLE 58X4X5MM / 235MM OVER FLANGES CLOSED
0.105.143.5006	SHORT COUPLE C/w BORED END YOKES 16MM & 5MM KEYWAY L=235MM O/A
0.105.081.101	SHORT COUPLE LESS FLANGES & UJS @ 105MM UJ CTRS
0.105.081.102	SHORT COUPLE LESS FLANGES & UJS @ 115MM UJ CTRS
0.105.080.101	SHORT COUPLE LESS FLANGES & UJS @ 135MM UJ CTRS
0.105.080.102	SHORT COUPLE LESS FLANGES & UJS @ 155MM UJ CTRS
SHAFT ASSY	
105HC-1	H-COUPLING 58X4X5MM / 110MM OVER FLANGES
SPLINED BAR & SLEEVE	
0.105.093.049	LENGTH= 490MM O/A - SLIP = 400MM MAX - SPLINE 20X1.5X12
U'JOINT	
BM346	17X41MM / CENTRE LUBE
BM03	17X41MM / END LUBE
TUBE	
TUBE28X1.5	28X1.5MM

BM REF #	COMMENTS / DESCRIPTION
0.106	19 X 48MM UJ

SLIP ASSY

SA81.4	75X6X6MM L=177MM 60MM SLIP
SA81.2	LESS UJ & FLANGE / 32X1.5MM TUBE 60MM SLIP H=146MM 20°
SA81.3	LESS UJ & FLANGE / 32X1.5MM TUBE 60MM SLIP H=135MM 20°

FLANGE YOKE

FY81.1	65X4X6MM H=32MM 20°
FY81.3	65X6X6MM H=32MM
FY81.4	65MM DIAMETER BLANK H=32MM
FY81.2	75X6X6MM H=32MM

TUBE YOKE

TY81.1	32X1.5MM TUBE H=32MM
--------	----------------------

END YOKE

EY81.1	14 SPLINES H=60MM WEINIG
EY81.2	25MM BORE H7 C/W 8MM KEY H=60MM 1.106.310.0002
EY81.3	SOLID BOSS 40MM Ø H=60MM
EY81.4	25MM BORE H7 H=60MM

SHORT COUPLE

0.106.081.0101	SHORT COUPLE LESS FLANGES & UJS @ 116MM UJ CTRS La=30mm
0.106.081.0102	SHORT COUPLE LESS FLANGES & UJS @ 136MM UJ CTRS La=30mm
0.106.081.025	SHORT COUPLE LESS FLANGES & UJS @ 146MM UJ CTRS La=25mm
0.106.080.101	SHORT COUPLE LESS FLANGES & UJS @ 156MM UJ CTRS La=30mm
0.106.080.102	SHORT COUPLE LESS FLANGES & UJS @ 171MM UJ CTRS La=30mm

SHAFT ASSY

106B-1	H COUPLING 65X4X6MM / 120MM OVER FLANGES
0.106.131.0002	H COUPLING 75X6X6MM / 200MM OVER FLANGES
0.106.202.011	FIXED SHAFT C/W 14 SPLINE END YOKES Lz 270MM WEINIG
0.106.133.0841	SHORT COUPLE 0106 SRS 236MM + 25MM BORED END YOKE TYPE

H-COUPLING

1.106.281.0001	H COUPLING H=56MM UJ CENTRES
----------------	------------------------------

U'JOINT

BM10	19X48MM / CENTRE LUBE
BM460	19X48MM / 2 X END LUBE

TUBE

TUBE32X1.5	32X1.5MM
------------	----------

BM REF #	COMMENTS / DESCRIPTION
0.107	22 X 58MM UJ SEE ALSO 473.30 SERIES

SLIP ASSY

SA82.1	75X6X6MM H=187MM / 40X2MM TUBE 35MM SLIP
SA82.5	75X6X6MM H=202MM / 40X2MM TUBE 35MM SLIP
SA82.3	LESS UJ & FLANGE / 40X2MM TUBE 35MM SLIP H=151MM 20°
SA82.4	LESS UJ & FLANGE / 40X2MM TUBE 100MM SLIP H=161MM 20°

FLANGE YOKE

FY82.2	75X4X8MM H=36MM
FY82.1	75X6X6MM H=36MM
FY82.5	75MM DIAMETER BLANK H=36MM
FY82.6	90MM DIAMETER BLANK H=36MM
FY82.4	90X4X8MM H=36MM 18°
FY82.3	87MM 1140SAE H=36MM 18°

BM REF #	COMMENTS / DESCRIPTION
0.107	22 X 58MM UJ SEE ALSO 473.30 SERIES

TUBE YOKE

TY82.1 40X2MM TUBE H=46MM 18°

END YOKE

EY82.1 30MM BORE H7 C/W KEY H=80MM

EY82.2 30MM BORE H7 H=80MM

EY82.3 SOLID H=80MM

SHAFT ASSY

107AS-2 WELDED ONE END 75X6X6 40X2MM L=1000MM SLIP = 70MM 25°

SHORT COUPLE

0.107.081.101 SHORT COUPLE LESS UJ & FLANGE / 128MM UJ CTR.LINES CLOSED
30MM SLIP

0.107.081.102 SHORT COUPLE LESS UJ & FLANGE / 153MM UJ CTR.LINES CLOSED
35MM SLIP

0.107.080.101 SHORT COUPLE LESS UJ & FLANGE / 178MM UJ CTR.LINES CLOSED
35MM SLIP

107YSA SHORT COUPLE LESS UJ & FLANGE / 279MM UJ CTR.LINES CLOSED
35MM SLIP

0.107.130.001 SHORT COUPLE 75X6X6MM / 200MM OVER FLANGES CLOSED COMPACT
SPLINE

0.107.130.002 SHORT COUPLE 75X6X6MM / 225MM OVER FLANGES CLOSED COMPACT
SPLINE

0.107.140.012 SHORT COUPLE 75X4X8MM / 200MM OVER FLANGES CLOSED COMPACT
SPLINE

4326-240602 ALT SHORT COUPLE 75X4X8MM / 200MM OVER FLANGES COMPACT SPLINE

H-COUPLING

0.107.300.0001 H COUPLING 75X6X6MM / 140MM OVER FLANGES

107HC H-YOKE H=68MM

U'JOINT

BM28 22X58MM / CENTRE LUBE

BM25 22X58MM / END LUBE

TUBE

TUBE40X2 40X2MM

BM REF #	COMMENTS / DESCRIPTION
0.109 NEW	28.5 X 70.9MM UJ

SLIP ASSY

SA83.3 90X4X8MM H=241MM / 50X2MM TUBE 80MM SLIP

SA83.5 90X4X8MM H=242MM / 50X2MM TUBE 40MM SLIP 35°

SA83.4 LESS UJ & FLANGE H=183MM / 50X2MM TUBE 40MM SLIP

SA83.6 LESS UJ & FLANGE H=185MM / 50X2MM TUBE 80MM SLIP

SA83.7 LESS UJ & FLANGE H=180MM / 50X2MM TUBE 80MM SLIP
(YOKE SHAFT & SLEEVE STYLE)

FLANGE YOKE

FY83.4 90X4X8MM H=52MM

FY83.1 90X4X8MM H=42MM

FY83.7 90MM BLANK H=42MM

FY83.8 90MM BLANK H=52MM

FY83.3 100X6X8MM H=42MM

FY83.6 100MM BLANK H=42MM

FY83.5 87MM 1140SAE H=42MM

FY83.2 97MM 1310SAE H=42MM

BM REF #	COMMENTS / DESCRIPTION
0.109 NEW	28.5 X 70.9MM UJ

TUBE YOKE

TY83.1 50X2MM TUBE H=68MM

END YOKE

EY83.2 35MM BORE H7 H=80MM

EY83.1 35MM BORE H7 C/W KEY H=80MM

EY83.3 SOLID H=80MM

SHORT COUPLE

0.109.081.201 SHORT COUPLE W/O FL&UJ AT 141MM UJ CTR.LINES 25MM SLIP

0.109.081.224 SHORT COUPLE W/O FL&UJ AT 166MM UJ CTR.LINES 40MM SLIP

0.109.080.201 SHORT COUPLE W/O FL&UJ AT 196MM UJ CTR.LINES 40MM SLIP

109YSA-5 SHORT COUPLE W/O FL&UJ AT 226MM UJ CTR.LINES 40MM SLIP

H-COUPLING

109HC H-YOKE ONLY H=68MM

U'JOINT

BM64 28.5X70.9MM / CENTRE LUBE

BM770 28.5X70.9MM /SIDE LUBE IN BRG CAP FOR DOUBLE JOINT APPLICATION

BM798 28.5X70.9MM 2 X END LUBE

BM763 28.5X70.9MM MAINTENANCE FREE (SFL)

TUBE

TUBE50X2 50X2MM

BM REF #	COMMENTS / DESCRIPTION
0.110	30 X 83MM UJ

SLIP ASSY

SA43.7 LESS UJ & FLANGE H=198MM / 50X3MM TUBE 100MM SLIP 35°

SA43.12 LESS UJ & FLANGE H=220MM / 50X3MM TUBE 120MM SLIP 35°

SA43.13 LESS UJ & FLANGE H=220MM / 50X3MM TUBE 200MM SLIP 35°

SA43.8 LESS UJ & FLANGE H=191MM / 50X3MM TUBE 40MM SLIP

SA43.15 LESS UJ & FLANGE H=222MM/ 50X3MM TUBE 300MM SLIP 35°

SA43.14 LESS UJ & FLANGE L=1100MM / 955MM LONG SLIP

0.110.093.500 SPLINED BAR & SLEEVE 350MM SPLINE LENGTH / 500MM OVERALL LENGTH

FLANGE YOKE

FY43.6 97MM 1310SAE H=46MM

FY43.1 100X6X8MM H=46MM

FY43.3 100X6X8MM H=58MM 35°

FY43.14 116X4X10.2MM 67X67MM BHC 64.9MM MALE SPIGOT NISSAN NAVARA/
PATROL ETC

FY43.2 120X8X8MM H=46MM

FY43.12 120X8X10MM H=58MM

FY43.7 120MM BLANK H=58MM

FY43.5 146MM 1410SAE (11.1MM HOLES) H=46MM 20°

FY43.8 146MM 1410SAE (11.1MM HOLES) H=59MM

FY43.10 BOLT HOLE CTRS 65X65MM MALE SPIGOT 50MM (ELBE 0.110)

TUBE YOKE

TY43.1 50X3MM TUBE H=59MM

END YOKE

EY43.2 40MM BORE H7 H=90MM - 1.110.281.001

EY43.1 40MM BORE H7 C/W KEY H=90MM - 1.110.310.002

EY43.3 SOLID H=90MM - 1.110.318.001

1.110.320.013 14 SPLINE END YOKE - H=90MM 32.4MM MAJOR DIA / 27.8MM MINOR DIA

BM REF #	COMMENTS / DESCRIPTION
0.110	30 X 83MM UJ

YOKE SHAFT ASSY

110YSA-8	YOKE SHAFT ASSY W/O FL&UJ AT 126MM UJ CTR.LINES 20MM SLIP
110YSA-5	YOKE SHAFT ASSY W/O FL&UJ AT 138MM UJ CTR.LINES 20MM SLIP
110YSA-3	YOKE SHAFT ASSY W/O FL&UJ AT 163MM UJ CTR.LINES 20MM SLIP
110YSA-4	YOKE SHAFT ASSY W/O FL&UJ AT 188MM UJ CTR.LINES 40MM SLIP
110YSA-9	YOKE SHAFT ASSY W/O FL&UJ AT 188MM UJ CTR.LINES 40MM SLIP - RILSAN
110YSA-6	YOKE SHAFT ASSY W/O FL&UJ AT 218MM UJ CTR.LINES 40MM SLIP - RILSAN
110YSA-7	YOKE SHAFT ASSY W/O FL&UJ AT 248MM UJ CTR.LINES 40MM SLIP

SHORT COUPLE SHAFT

0.110.148.0001	SHORT COUPLE 116X4X11.1MM Lz=310MM La=40MM - 1410 / 1350 SAE FLANGES
0.110.148.0002	SHORT COUPLE 116X4X11.1MM Lz=340MM La=40MM - 1410 / 1350 SAE FLANGES

H-COUPLING

0.110.300	H COUPLING 100X6X8MM / 160MM OVER FLANGES END LUBE
110HC	H-YOKE ONLY H=68MM

U'JOINT

BM72	30X83MM / CENTRE LUBE
BM212	30X83MM / END LUBE
BM364	30X83MM / LUBE IN CIRCUMFERENCE OF CAP
BM662	30X83MM SFL MAINTENANCE FREE
BM701	30X83MM 4 X END LUBE
BM850	30X83MM CTR LUBE - HIGH TEMP 180 DEGREES

TUBE

TUBE50X3	50X3MM
----------	--------

BM REF #	COMMENTS / DESCRIPTION
0.112 NEW	35 X 97MM UJ

SLIP ASSY

SA79.6	LESS UJ & FLANGE / 60X4MM TUBE 60MM SLIP
SA79.8	LESS UJ & FLANGE H=255MM / 60X4MM TUBE 120MM SLIP 35 DEGREES
SA79.10	SLIPASSY 0112 L.1100MM 60X4MM SLIP = La.920MM (USE WITH EY79.1) DIN5480 42X2X20

FLANGE YOKE

FY79.16	100X6X8MM H=65MM
FY79.8	120X4X11KV H=60MM
FY79.7	120X6X10MM H=70MM 72MM FEMALE SPIGOT ZETTELMEYER
FY79.1	120X8X8MM H=60MM 20°
FY79.2	120X8X8MM H=70MM
FY79.4	120X8X10MM H=60MM 20°
FY79.5	116X4X11MM 1410SAE (11.1MM HOLES) H=60MM 20°
FY79.12	120MM BLANK H=70MM
FY79.13	146X4X12.7MM 1510SAE (12.7MM HOLES) H=60MM 20°
FY79.6	150MM BLANK H=60MM
FY79.3	150X8X10MM H=60MM

TUBE YOKE

TY79.1	60X4MM TUBE H=65MM 35°
TY79.2	90X3MM TUBE H=65MM 20°

END YOKE

EY79.1	END YOKE 0112 H=85MM LONG SLIP (USE WITH SA79.10) DIN5480 42X2X20
--------	---

BM REF #	COMMENTS / DESCRIPTION
0.112 NEW	35 X 97MM UJ

SHORT COUPLE

- 0.112.081.0201 SHORT COUPLE W/O FL&UJ AT 205MM UJ CTR.LINES 35MM SLIP
- 112YSA-2 SHORT COUPLE W/O FL&UJ AT 240MM UJ CTR.LINES 35MM SLIP
- 112YSA-3 SHORT COUPLE W/O FL&UJ AT 280MM UJ CTR.LINES 60MM SLIP
- 0.112.080.202 SHORT COUPLE W/O FL&UJ AT 310MM UJ CTR.LINES 60MM SLIP

SHAFT ASSY

- 0.112.130.201 YSA 120X8X8MM / **325MM** OVER FLANGES CLOSED
- 0.112.131.001 YSA 150X8X10MM / **325MM** OVER FLANGES CLOSED
- 0.112.300.0201 H COUPLING 120X8X8MM / **200MM** OVER FLANGES **END LUBE**
- 0.112.301 H COUPLING 150X8X10MM / **200MM** OVER FLANGES **END LUBE**
- 112HC H-COUPLING H=80MM UJ CTRS

U'JOINT

- BM198 35X97MM / CENTRE LUBE
- BM199 35X97MM / END LUBE
- BM736 COMBINATION 34X97MM / 35X97MM
- BM832 35X97MM / MAINTENANCE FREE (SFL)

TUBE

- TUBE60X4 60X4MM

BM REF #	COMMENTS / DESCRIPTION
0.113	38 X 106MM UJ

SLIP ASSY

- SA33.6 LESS UJ & FLANGE 60MM SLIP / 70X4MM TUBE ** RILSAN ** H=258MM
- SA33.7 LESS UJ & FLANGE 120MM SLIP 35 DEGREES / 70X4MM TUBE H=260MM
- SA33.8 LESS UJ & FLANGE 60MM SLIP / 70X4MM TUBE 35 DEGREES H=272MM

SEAL TUBE

- ST33.1 SEAL TUBE

SPLINED BAR & SLEEVE

- 0.113.093.004 SPLINE BAR & SLEEVE L=485MM SLIP=275MM 70X4MM TUBE
- 0.113.093.006 SPLINE BAR & SLEEVE L=645MM SLIP=400MM 70X4MM TUBE
- 0.113.095.005 SPLINE BAR & SLEEVE L = 580MM 70X4MM TUBE

END YOKE

- 1.113.325.003 TO SUIT ALL SPLINED BAR & SLEEVE ABOVE

FLANGE YOKE

- FY33.2 120X8X8MM H=60MM
- FY33.1 120X8X10MM H=60MM
- FY33.8 120MM DIAMETER BLANK H=72MM
- FY33.4 120X4X11MM KV H=70MM
- FY33.6 150MM DIAMETER BLANK H=60MM
- FY33.5 150X8X10MM H=60MM
- FY33.7 150X8X12MM H=60MM

TUBE YOKE

- TY33.1 70X4MM TUBE H=65MM

SHAFT ASSY

- 0.113.130.0002 SHORT COUPLE SHAFT ASSY 120X8X10MM Lz=325MM La=50MM

SHORT COUPLE

- 0.113YSA-2 SHORT COUPLE W/O FL&UJ AT 225MM UJ CTR.LINES
- 0.113YSA-3 SHORT COUPLE W/O FL&UJ AT 255MM UJ CTR.LINES
- 0.113YSA-4 SHORT COUPLE W/O FL&UJ AT 300MM UJ CTR.LINES
- 0.113YSA-5 SHORT COUPLE W/O FL&UJ AT 330MM UJ CTR.LINES

BM REF #	COMMENTS / DESCRIPTION
0.113	38 X 106MM UJ
0.113YSA-6	SHORT COUPLE W/O FL&UJ AT 316MM UJ CTR.LINES
0.113YSA-7	SHORT COUPLE W/O FL&UJ AT 351MM UJ CTR.LINES
DOUBLE JOINT	
DJ33.1	0.113 120X8X10 / 70X4MM TUBE H=227MM (ANGLE 35/40°)
DJ33.3	0.113 5C MECHANICS / 70X4MM TUBE H=185MM (ANGLE 35/40°)
H-COUPLING	
113HC	H-COUPLING ONLY H=80MM
113HC/1	H-COUPLING ONLY H=95MM
0.113.301.0001	H-COUPLING ONLY H=200MM 150X8X12MM
U'JOINT	
BM218	38X106MM / CENTRE LUBE 0.113.010.0001
BM482	38X106MM / END LUBE
BM381	38X106MM / 6C HIGH WING DRILLED 42.9X114.3MM DENNIS BUS
TUBE	
TUBE70X4	70X4MM
BM REF #	COMMENTS / DESCRIPTION
0.512	40X107MM UJ (7.5MM OFFSET)
U'JOINT	
BM796	40X106.7MM C/w 7.5MM OFFSET END LUBE
H-COUPLING	
512HC	ELBE 0.512 CENTRE YOKE H=72MM (47°)
512HC/1	ELBE 0.512 CENTRE YOKE H=74MM (47°)
BM REF #	COMMENTS / DESCRIPTION
0.148	42 X 117.5MM UJ
SLIP ASSY	
SA39.3	LESS UJ & FLANGE H=263MM / 80X4MM TUBE
FLANGE YOKE	
FY39.9	120X8X10MM H=80MM
FY39.6	120X4X11MM KV H=70MM
FY39.10	130X8X10MM H=80MM
FY39.7	146X4X12MM 1510SAE H=65MM
FY39.11	150X8X10MM H=65MM
FY39.4	150X8X12MM H=65MM
FY39.1	150X8X12MM H=80MM
FY39.5	150MM DIAMETER BLANK H=65MM
FY39.8	1610SAE 174X8X9.6MM H=65MM
FY39.13	180X8X12MM H=65MM
FY39.3	180X8X14MM H=65MM
FY39.14	180X12X16MM H=65MM
TUBE YOKE	
TY39.1	TO SUIT 80X4MM TUBE H=80MM
SHORT COUPLE	
0.148YSA-2	SHORT COUPLE W/O FL&UJ AT 194MM UJ CTR.LINES
0.148YSA-3	SHORT COUPLE W/O FL&UJ AT 210MM UJ CTR.LINES
0.148YSA-4	SHORT COUPLE W/O FL&UJ AT 230MM UJ CTR.LINES
0.148YSA-5	SHORT COUPLE W/O FL&UJ AT 270MM UJ CTR.LINES
0.148YSA-6	SHORT COUPLE W/O FL&UJ AT 330MM UJ CTR.LINES
H-COUPLING	
148HC	H-COUPLING ONLY H=95MM
148HC/1	H-COUPLING ONLY H=105MM

BM REF #	COMMENTS / DESCRIPTION
0.148	42 X 117.5MM UJ

SPLINED BAR & SLEEVE

SB39.1	LENGTH = 510MM 280MM SLIP
SB39.2	LENGTH = 590MM 355MM SLIP
0.148.093.0005	LENGTH = 670MM 440MM SLIP - SPLINE PROFILE = 55x2,5 x 20SPL
SB39.4	LENGTH = 730MM 530MM SLIP

U'JOINT

BM286	42X117.5MM / CENTRE LUBE
BM448	42X117.5MM / END LUBE
BM519	42X117.5 END LUBE IN 4 OFF CAPS

TUBE

TUBE80X4	80X4MM
----------	--------

BM REF #	COMMENTS / DESCRIPTION
0.115	42 X 123MM UJ / 0.115 SERIES

U'JOINT

BM106	42X123MM / END LUBE
-------	---------------------

BM REF #	COMMENTS / DESCRIPTION
0.158	48 X 126MM UJ / 0.387 SERIES / 286.33 SERIES

SLIP ASSY

SA52.3	LESS UJ & FLANGE / 130X5MM TUBE 110MM SLIP MERCEDES
SA52.4	LESS UJ & FLANGE / 92X5MM & 90X4MM TUBE 110MM SLIP L=327MM
SA52.6	LESS UJ & FLANGE / 92X5MM & 90X4MM TUBE 180MM SLIP INTER AXLE H=400MM

SLEEVE

SL52.1	TO SUIT 92X5MM TUBE 110MM SLIP
SL52.2	TO SUIT 130X5MM TUBE 110MM SLIP
SL52.3	TO SUIT 92X5MM TUBE 130MM SLIP
SL52.4	TO SUIT 92X5MM 180MM SLIP

FLANGE YOKE

FY52.11	150MM DIAMETER BLANK H=75MM
FY52.1	150X4X13MM H=75MM
FY52.2	150X4X13MM H=90MM
FY52.3	150X8X12MM H=75MM
FY52.10	150X8X12MM H=82MM
FY52.4	150X8X12MM H=90MM
FY52.7	174X8X9.6MM 1610SAE H=82MM
FY52.13	180X8X14MM H=75MM
FY52.18	180X10X16 H=72MM

C.V FLANGE YOKE

FY52.19	150MM DIAMETER BLANK H=75MM
FY52.20	6C MECHANICS H=75MM
FY52.21	7C MECHANICS H=75MM
FY52.22	180X8X14MM H=75MM
FY52.23	174X8X9.6MM 1610SAE H=75MM

TUBE YOKE

TY52.1	TO SUIT 92X5MM TUBE H=101MM
TY52.2	TO SUIT 130X5MM TUBE
TY52.3	TO SUIT 92X5MM TUBE WIDE ANGLE H=110MM

C.V.TUBE YOKE

TY52.4	TUBE YOKE C.V. JOINT
--------	----------------------

BM REF #	COMMENTS / DESCRIPTION
0.158	48 X 126MM UJ / 0.387 SERIES / 286.33 SERIES

DOUBLE JOINT

- DJ52.1 0.358 150X8X12 / 90X4MM TUBE H=265MM (ANGLE 35/42°)
- DJ52.3 0.358 150X4X13 / 90X4MM TUBE H=265MM (ANGLE 35/42°)

U'JOINT

- BM124 48X126MM / CENTRE LUBE **INA BEARINGS**
- BM124A 48X126MM LUBE TYPE ALTERNATIVE
- BM30 48X126MM / NON LUBE
- BM502 48X126MM / 6C HIGH WING DRILLED
- BM610 48X126MM C/w SKF BRGS - OIL BATH TYPE WITH THRU OILWAY
- BM659 48X126MM C/w LUBE IN ALL 4 BRG CAPS

SHORT COUPLE

- 0.158Y-3 SHORT COUPLE W/O FL&UJ AT 235MM UJ CTR.LINES / 35MM SLIP
- 0.158Y-12 SHORT COUPLE W/O FL&UJ AT 247MM UJ CTR.LINES / 55MM SLIP 25°
- 0.158Y-2 SHORT COUPLE W/O FL&UJ AT 250MM UJ CTR.LINES / 50MM SLIP
- 0.158Y-4 SHORT COUPLE W/O FL&UJ AT 315MM UJ CTR.LINES / 80MM SLIP
- 286.33YSA-2 SHORT COUPLE W/O FL&UJ AT 303MM UJ CTR.LINES / 75MM SLIP
- 286.33YSA-3 SHORT COUPLE W/O FL&UJ AT 363MM UJ CTR.LINES / 75MM SLIP

TUBE

- TUBE90X4 90X4MM
- TUBE92X5 92X5MM
- TUBE130X5 130X5MM

BM REF #	COMMENTS / DESCRIPTION
0.117	53 X 135MM UJ / 0.389 SERIES / 286.37 SERIES

YOKE SHAFT ASSY

- SA53.1 LESS UJ & FLANGE / 100X5MM TUBE 150MM SLIP
- SA53.2 LESS UJ & FLANGE / 140X5MM TUBE 140MM SLIP

FLANGE YOKE

- FY53.2 150X4X13MM H=85MM
- FY53.17 150X4X13MM H=100MM (44°)
- FY53.1 150X8X12MM H=90MM
- FY53.6 165X4X15MM / INTER AXLE ONLY H=95MM
- FY53.5 165X8X16MM H=90MM
- FY53.7 180X4X15MM H=85MM
- FY53.15 180X8X12MM H=86MM
- FY53.8 180X8X14MM H=76MM
- FY53.12 180X8X14MM H=86MM ***ELBE ORIGINAL***
- FY53.3 180X10X16MM H=87MM ****LIMITED STOCK****

TUBE YOKE

- TY53.1 100X5MM Ø TUBE H=90MM
- TY53.2 140X5MM TUBE
- TY53.3 TO SUIT 100X5MM Ø TUBE 35°

SHORT COUPLE

- 0.117Y-2 SHORT COUPLE W/O FL&UJ AT 248MM UJ CTR.LINES 40MM SLIP
- 0.117YSA-5 SHORT COUPLE W/O FL&UJ AT 288MM UJ CTR.LINES 50MM SLIP
- 0.117Y-4 SHORT COUPLE W/O FL&UJ AT 323MM UJ CTR.LINES 45MM SLIP
- 0.117Y-5 SHORT COUPLE W/O FL&UJ AT 383MM UJ CTR.LINES 80MM SLIP
- 286.37YSA-3 SHORT COUPLE W/O FL&UJ AT 286.37 YSA (9.01) H=475MM La.150MM 35°

SPLINED BAR & SLEEVE

- SB53. LENGTH = 790MM 525MM SLIP **OR** LENGTH = 890MM 625MM SLIP

BM REF #	COMMENTS / DESCRIPTION
0.117	53 X 135MM UJ / 0.389 SERIES / 286.37 SERIES

H-COUPLING

117HC H-COUPLING 120MM JOINT CENTRES

U'JOINT

BM136 53X135MM / CENTRE LUBE ****INA BEARINGS****
 BM136A 53X135MM / CENTRE LUBE ALTERNATIVE
 BM136/1 53X135MM / CENTRE LUBE ****SKF BEARINGS****
 BM33 53X135MM NON LUBE
 BM568 53X135MM LUBE IN ALL 4 BEARING CAPS
 BM537 53X135MM SKF SFL MAINTENANCE FREE

TUBE

TUBE100X5 100X5MM
 TUBE140X5 140X5MM

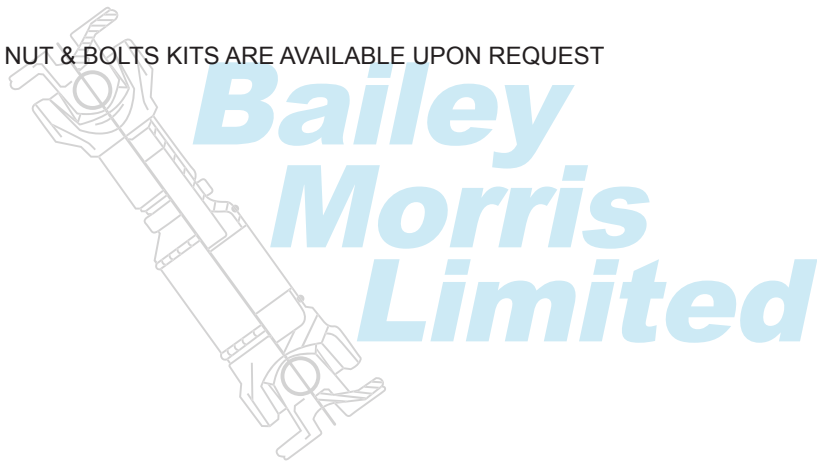
BM REF #	COMMENTS / DESCRIPTION
0.120.	57 X 152MM UJ / 0.120 (SEE ALSO KLEIN 620SRS & GWB 2055SRS)

DOUBLE JOINT

0.320.050.0003 DOUBLEJOINT ELBE 0.320 180X8X16 100X6MM

NUT & BOLT KITS

NUT & BOLTS KITS ARE AVAILABLE UPON REQUEST



MECHANICS STYLE COMPONENTS



BM REF #	COMMENTS / DESCRIPTION
2C	33.27 X 59.44MM UJ BHC

SLIP ASSY

SA2C STUB & SLEEVE TYPE 50MM SLIP 2X0.095"MM Ø TUBE

TUBE YOKE

TY2C THREADED HOLES 2X0.095"MM Ø TUBE

U'JOINT

BM164 2C LOW WING THREADED

BM229 2C LOW WING DRILLED

BM277 2C 2 X LOW WING THREADED / 2 X LOW WING DRILLED END LUBE

BM509 2 X 2C / 1310 27X81.8MM MECHANICS COMBINATION END LUBE

BM REF #	COMMENTS / DESCRIPTION
3C	36.5 X 69.8MM UJ BHC

SLIP ASSY

SA3C STUB & SLEEVE TYPE 50MM SLIP 63.5X3.25MM Ø TUBE

TUBE YOKE

TY3C THREADED HOLES 63.5X3.25MM Ø TUBE

U'JOINT

BM165 3C LOW WING THREADED

BM166 3C HIGH WING DRILLED - LUBE IN BRG CAP

BM REF #	COMMENTS / DESCRIPTION
4C	36.5 X 87.37MM UJ BHC

SLIP ASSY

SA4C COMPACT STYLE, YOKE SHAFT & SLEEVE 50X3MM Ø TUBE

SA4C/1 COMPACT STYLE, YOKE SHAFT & SLEEVE 2.50X.095" Ø TUBE

TUBE YOKE

TY4C THREADED HOLES 50X3MM Ø TUBE

U'JOINT

BM167 4C /1410 HIGH WING DRILLED COMBINATION 30.2X106.3MM **5-345X**

BM168 4C LOW WING THREADED

BM169 4C HIGH WING DRILLED

BM224 2 X HIGH WING DRILLED / 2 X LOW WING THREADED COMBINATION

BM775 4C 2 X LOW WING DRILLED / 2 X LOW WING THREADED

BM606 4C / 2X HIGH WING DRILLED & 2X INT CLIP 28.6X77.6MM (82.4MM)

SHAFT ASSY

4CYSA/1 COMPLETE SHORT COUPLE YSA Lc = 178MM INC JOINTS

4CYSA/2 COMPLETE SHORT COUPLE YSA Lc = 186MM INC JOINTS

4CYSA/3 COMPLETE SHORT COUPLE YSA Lc = 201MM INC JOINTS

4CYSA/4 COMPLETE SHORT COUPLE YSA Lc = 225MM INC JOINTS

4CYSA/5 COMPLETE SHORT COUPLE YSA Lc = 257MM INC JOINTS

BM REF #	COMMENTS / DESCRIPTION
4C	36.5 X 87.37MM UJ BHC

TUBE

TUBE50X3 50X3MM

BM REF #	COMMENTS / DESCRIPTION
5C	42.9 X 88.9MM UJ BHC

SLIP ASSY

SA5C **COMPACT STYLE**, YOKE SHAFT & SLEEVE 60X4MM Ø TUBE 100MM SLIP

SA5C/2 **COMPACT STYLE**, L=259MM La140MM YOKE SHAFT & SLEEVE 60X4MM Ø TUBE

TUBE YOKE

TY5C THREADED HOLES 60X4MM Ø TUBE

H SECTION

5HC-1 H PIECE 5C MECHANICS H=39MM

U'JOINT

BM170 5C HIGH WING DRILLED COMBINATION 1480 34.9X106.4MM ON OPP SPAN

BM761 5C HIGH WING THREADED COMBINATION 1480 34.9X106.4MM ON OPP SPAN

BM171 5C LOW WING THREADED

BM172 5C HIGH WING DRILLED

BM846 5C HIGH WING DRILLED - **SPICER** O.E

BM466 5C HIGH WING DRILLED SFL - **SPICER** O.E

BM241 2 X LOW WING DRILLED / I/C 33.35X84MM ON OPPOSITE SPAN **KOYO 5.5015X**

BM273 2 X HIGH WING DRILLED / I/C 33.35X84MM ON OPPOSITE SPAN **KOYO**

BM325 5C 2 X HIGH WING DRILLED & 2 X LOW WING THREADED

BM459 5C 2 X HIGH WING DRILLED / I/C 32X83.9MM ON OPP SPAN **KOYO GUKO.30**

MID ASSY

MA5C MID ASSY (TO SUIT 45MM Ø CENTRE BRG) H=210MM TUBE Ø 58XMM

CENTRE BRG

BMCB108 45X146MM TO SUIT MA5C H=210MM

TUBE

TUBE60X4MM TUBE 60X4MM Ø

SHAFT ASSY

5CYSA/1 SHORT COUPLE Lc = 155MM C/W JOINTS

5CYSA/2 SHORT COUPLE Lc = 186MM C/W JOINTS

5CYSA/3 SHORT COUPLE Lc = 201MM C/W JOINTS

5CYSA/4 SHORT SOUPLE Lc = 232MM C/W JOINTS

5CYSA/5 SHORT COUPLE Lc = 256MM C/W JOINTS

5CYSA/10 SHORT COUPLE Lc = 271MM C/W JOINTS

5CYSA/6 SHORT COUPLE Lc = 295MM C/W JOINTS

DJ5C/1 DOUBLE JOINT L = 116MM C/W JOINTS

BM REF #	COMMENTS / DESCRIPTION
6C	42.9 X 114.3MM UJ BHC

SLIP ASSY

SA6C **COMPACT STYLE**, **ELBE** 105MM SLIP 70X4MM Ø TUBE L=241MM

SA6C/1 **COMPACT STYLE**, **ELBE** 120MM SLIP 70X4MM Ø TUBE L=241MM

SA6C/5 SLIPASSY 6C 3X0.095" Ø TUBE SLIP = 120MM L=234MM

TUBE YOKE

TY6C THREADED HOLES 70X4MM Ø TUBE 3/8" UNF

TY6C/3 THREADED HOLES 90X5MM Ø TUBE 3/8" UNF

BM REF #	COMMENTS / DESCRIPTION
6C	42.9 X 114.3MM UJ BHC

DOUBLE JOINT

DJ51.3 JOINT COMPLETE 587.20 / 6C MECHANICS 80X3.5MM Ø TUBE

U'JOINT

BM173 6C HIGH WING DRILLED COMBINATION / 1550 34.9X126.2MM ON OPPOSITE SPAN

BM502 6C/COMBINATION HIGH WING DRILLED / 48X126MM ON OPPOSITE SPAN

BM174 6C LOW WING THREADED

BM350 6C LOW WING DRILLED

BM175 6C HIGH WING DRILLED

BM845 6C HIGH WING DRILLED - SPICER ORIGINAL

BM837 6C HIGH WING DRILLED - (SFL) SPICER ORIGINAL

BM690 6C DELTA WING

BM821 6C 4 X HIGH WING DRILLED - DOUBLE FACE KEY H=35MM PER BLOCK

BM214 6C 2 X LOW WING THREADED / 2 X HIGH WING DRILLED

BM242 HIGH WING DRILLED 42.9X114.3MM / I/C 33.4X109.4MM ON OPPOSITE SPAN

KOYO 5025N

BM336 2 X LOW WING THREADED 42.9X114.3MM / I/C 33.4X109.4MM ON OPPOSITE SPAN

BM752 2 X HIGH WING DRILLED 42.9X114.3MM / I/C 34X104.6/109.4MM ON OPPOSITE SPAN

BM354 2 X HIGH WING DRILLED 42.9X114.3MM **SPL170 / 6C** 34.9X126.2MM

BM381 2 X HIGH WING DRILLED 42.9X114.3MM / 38X106MM ON OPPOSITE SPAN

BM407 **7C** 2 X HIGH WING DRILLED / **6C** 2 X HIGH WING DRILLED

MID ASSY

MA6C MID ASSY (LESS CENTRE BRG) H=210MM 45MM Ø BMCB108

MA6C/1 MID ASSY (LESS CENTRE 50MM Ø CTR BRG) TUBE Ø 70X4MM H=207MM

MA6C/2 MID ASSY (LESS CENTRE BRG) H=170MM 55MM Ø BMCB107

CENTRE BRG

BMCB108 CENTRE BRG 45X146MM

BMCB106 CENTRE BRG 50X159MM

BMCB107 CENTRE BRG 55X171MM

TUBE

TUBE70X4MM TUBE 70X4MM Ø

SHAFT ASSY

6CYSA/10 SHORT COUPLE H = 95MM

6CYSA/1 SHORT COUPLE Lc = 165MM O&K

6CYSA/9 SHORT COUPLE H=210MM LA =75MM 5

6CYSA/2 SHORT COUPLE Lc = 310MM C/W LWT U/JOINTS

6CYSA/3 SHORT COUPLE Lc = 241MM C/W HWD U/JOINTS

6CYSA/4 SHORT COUPLE Lc = 259MM C/W HWD U/JOINTS

6CYSA/5 SHORT COUPLE Lc = 280MM C/W HWD U/JOINTS

6CYSA/6 SHORT COUPLE Lc = 345MM C/W HWD U/JOINTS O&K

6CYSA/7 SHORT COUPLE Lc = 375MM C/W HWD U/JOINTS O&K

DJ6C/1 DOUBLE JOINT L = 120MM KOMATSU

DJ6C/2 DOUBLE JOINT L = 127MM CATERPILLAR

BM REF #	COMMENTS / DESCRIPTION
7C	49.2 X 117.6MM UJ BHC

SLIP ASSY

SA7C COMPACT STYLE, YOKESHAFT & SLEEVE 80X4MM Ø TUBE H=240MM La110MM

SA7C.1 COMPACT STYLE, YOKESHAFT & SLEEVE 88X4MM Ø TUBE La130MM

SA7C.2 COMPACT STYLE, YOKESHAFT & SLEEVE 88.9X2.41 MM Ø TUBE L=260MM La127MM

BM REF #	COMMENTS / DESCRIPTION
7C	49.2 X 117.6MM UJ BHC

TUBE YOKE

TY7C THREADED HOLES 80X4MM Ø TUBE H=54MM **ELBE**
 TY7C/2 THREADED HOLES 88X4MM Ø TUBE H=50MM 25° (BOLT: 1/2" 20 UNF) **SPICER**
 TY7C/4 THREADED HOLES 88.9X2.41MM Ø TUBE

U'JOINT

BM177 7C LOW WING THREADED
 BM178A 7C HIGH WING DRILLED
 BM178 7C 4 X HIGH WING DRILLED **SPICER**
 BM585 7C 4 X HIGH WING DRILLED **SPICER SFL**
 BM848 7C 4 X HIGH WING DRILLED TO 47.6X135.2MM COMBINATION
 BM326 7C COMBINATION 2 X HIGH WING DRILLED / 2 X LOW WING THREADED
 BM190 7C / 1650 SERIES COMBINATION HIGH WING DRILLED / 41.3X142.5MM
 BM312A **KOMATSU** 41.3X104.3/110.8MM / 49.2X117.6MM 7C OPP SPAN 5050Q
 BM407 2 X 7C / 2 X 6C COMBINATION HIGH WING DRILLED
 BM637 7C 2 X HIGH WING DRILLED / 2 X DELTA WING DRILLED

MID ASSY

MA7C MID ASSY (W/o CTR BRG 60MM Ø BMCB195) H=200.5MM
 MA7C/2 MID ASSY (TO SUIT 60MM Ø CENTRE BRG)
 MA20.3 MID ASSY 60MM CAST CTR BRG (BMCB37) TO SUIT MOXY DUMP TRUCK

CENTRE BRG

BMCB95 CENTRE BRG TO SUIT MA7C **60MM Ø X 184MM** ACROSS BOLTS

TUBE

TUBE80X4MM TUBE 80X4MM Ø

SHAFT ASSY

BMPS56 SHORT COUPLE C/w HIGH TEMP. UJ'S (280MM + 75MM) OVER UJ FACES, **MAN**

SHAFT ASSY

7CYSA-10 SHORT COUPLE L = 143MM W/o JOINTS La=15MM
 7CYSA-2 SHORT COUPLE L = 156MM W/o JOINTS
 7CYSA-7 SHORT COUPLE L = 178MM W/o JOINTS
 7CYSA-13 SHORT COUPLE L = 198MM W/o JOINTS (La.75MM) 25°
 7CYSA-3 SHORT COUPLE L. = 202MM W/o JOINTS **VOLVO**
 7CYSA-4 SHORT COUPLE L. = 258MM W/o JOINTS
 7CYSA-5 SHORT COUPLE L = 391MM **O & K**
 7CYSA-9 SHORT COUPLE L =310mm C/w JOINTS La=75MM
 DJ7C/1 DOUBLE JOINT L = 120MM **KOMATSU**
 DJ7C/2 DOUBLE JOINT L = 124MM
 DJ7C/3 DOUBLE JOINT L = 136MM **O & K**
 DJ7C/4 DOUBLE JOINT L = 140MM **KOMATSU**

SHAFT ASSY

7CB-1 KOMATSU SHAFT H=192MM W/o JOINTS



BM REF #	COMMENTS / DESCRIPTION
8C	49.2 X 174.75MM UJ BHC

SLIP ASSY

SA8C **COMPACT STYLE**, YOKE SHAFT & SLEEVE 90X4MM Ø TUBE

TUBE YOKE

TY8C THREADED HOLES 90X4MM Ø TUBE

SHAFT ASSY

8CYS A-1 YSA C/W UJ'S (344MM OVER UJ FACES 30°), 60MM EXT. **VOLVO**

U'JOINT

BM182 8C LOW WING THREADED

BM183 8C HIGH WING DRILLED

BM847 8C HIGH WING DRILLED - **SPICER**

BM327 8C 2 X HIGH WING DRILLED / 2 X LOW WING THREADED

TUBE

TUBE90X4 TUBE 90X4MM

BM REF #	COMMENTS / DESCRIPTION
J170	

U'JOINT

BM590 62X125.2MM 4 X HIGH WING JOINT

BM REF #	COMMENTS / DESCRIPTION
8.5C	71.4 X 123.8MM UJ BHC

SLIP ASSY

SA8.5C ELBE YOKE SHAFT & SLEEVE 100X5MM Ø TUBE (65X2.5X22) H=306MM

SA8.5C/1 SPICER YOKE SHAFT & SLEEVE 100X6MM Ø TUBE (75X2.5X28)

SEAL TUBE

ST8.5C SEAL TUBE L=86.6MM

ST8.5C/1 SEAL TUBE L=99.3MM

GREASE SEAL

3067763006 GREASE SEAL TO SUIT SEAL TUBES ABOVE

TUBE YOKE

TY8.5C THREADED HOLES 100X5MM Ø TUBE

U'JOINT

BM180 8.5C LOW WING THREADED

BM395 8.5C LOW WING DRILLED

BM181A 8.5C HIGH WING DRILLED

BM181 8.5C HIGH WING DRILLED **SPICER VERSION**

BM181C 8.5C HIGH WING DRILLED **ROCKFORD** (CENTRE LUBE)

BM481 8.5C HIGH WING DRILLED **SPICER SFL VERSION**

BM481A 8.5C HIGH WING DRILLED **SFL VERSION**

BM204 8.5C 2 X HIGH WING DRILLED / 1710 SRS COMBINATION 5278AT

BM328 8.5C 2 X HIGH WING DRILLED / 2 X LOW WING THREADED

BOLT KIT

BK-6 8.5C UNIVERSAL JOINT BOLTS 2.5" X .5" UNF" TO SUIT BM181

MID ASSY

MA8.5C SPICER MID ASSY H=245MM (W/o 65MM CENTRE BRG BMCB98)

MA8.5C/1 MID ASSY TO SUIT 65MM Ø CENTRE BRG

CENTRE BRG

BMCB98 CENTRE BRG TO SUIT MA8.5 65X210MM

BM REF #	COMMENTS / DESCRIPTION
----------	------------------------

8.5C	71.4 X 123.8MM UJ BHC
SHAFT ASSY	
8.5C YSA-19	YSA W/o JOINTS H=170MM (OVER YOKE FACES) La=35MM
8.5C YSA-1	YSA W/o JOINTS H=210MM (OVER YOKE FACES) La=65MM
8.5C YSA-1A	YSA W/o JOINTS H=210MM (OVER YOKE FACES) La=65MM ALT
8.5C YSA-10	YSA W/o JOINTS H=223MM (OVER YOKE FACES) La=40MM
8.5C YSA-2	YSA W/o JOINTS H=240MM (OVER YOKE FACES) La=65MM
8.5C YSA-5	YSA W/o JOINTS H=266.4M (OVER YOKE FACES) La=85MM 75x2.5x28MM
8.5C YSA-6	YSA C/w HWD SFL JOINTS Lc=275MM (OVER UJ FACES) La=30MM
8.5C YSA-4	YSA C/w HWD JOINTS Lc=310M (OVER UJ FACES) La=65MM 75x2.5x28MM
8.5C YSA-4A	YSA C/w HWD JOINTS Lc=310M (OVER UJ FACES) La=65MM
8.5C YSA-12	YSA C/w JOINTS Lc= 368MM (OVER UJ FACES) La=85MM (8.5C YSA-5 C/w UJS)
8.5C YSA-12A	YSA C/w JOINTS Lc= 368MM (OVER UJ FACES) La=77.5MM ALT BRAND C/w UJS
8.5C YSA-8	YSA W/o JOINTS H=298MM (OVER YOKE FACES) La=80MM
8.5C YSA-7	YSA ASSEMBLY Lc=430MM La=85MM C/w SFL HWD 25° La=85MM
SLEEVE	
SL8.5C	SLEEVE YOKE ONLY FOR 8.5C YSA-1 ABOVE L=160MM FACE > END OF SLEEVE SPLINE LENGTH = 120MM
YOKE SHAFT	
YS8.5C	YOKE SHAFT TO SUIT SL8.5C (PART OF 8.5C YSA-1 ABOVE)
TUBE	
TUBE 100X5	100X5MM Ø
310.000.93431	100X6MM Ø

BM REF #	COMMENTS / DESCRIPTION
----------	------------------------

9C	71.4 X 168.4MM UJ BHC
SLIP ASSY	
SA9C	ELBE COMPACT YOKE SHAFT ASSY H=319MM - 110MM SLIP (SPLINE Ø 75x2.5x28) 110X6MM TUBE Ø
SA9C.1	SPICER COMPACT YOKE SHAFT ASSY 150MM SLIP (SPLINE Ø 90x2.5x34) 115X7.5MM TUBE Ø - BOLTS 1/2" X 20 UNF
SA9C.2	SPICER COMPACT YOKE SHAFT ASSY 150MM SLIP (SPLINE Ø 90x2.5x34) 115X7.5MM TUBE Ø - BOLTS M12 X 1.75
TUBE YOKE	
TY9C	THREADED HOLES 110X6MM Ø TUBE - ELBE
TY9C.1	THREADED HOLES 115X7.5MM Ø TUBE - SPICER
TY9C.2	THREADED HOLES M12X1.75" Ø TUBE 115X7.5MM - SPICER
U'JOINT	
BM185	9C LOW WING THREADED
BM186	9C HIGH WING DRILLED
BM186/1	9C HIGH WING DRILLED SPICER
BM654	9C HIGH WING DRILLED SPICER (SFL)
BM654A	9C HIGH WING DRILLED (SFL)
BM270	9C TWIN DISC HIGH WING DRILLED
BM329	9C 2 X HIGH WING DRILLED / 2 X LOW WING THREADED
BM184	9C/1880 (2 X HIGH WING DRILLED / 2 X 1880 COMBINATION) 5-326X
BM474	9C/1810 (2 X HIGH WING DRILLED / 2 X 1810 COMBINATION) 5-324X
BOLT KIT	
BK-6	BOLT 1/2" UNF 8.5C/9C SPICER BM181/BM186
BK-7	BOLT M12X1.75 9C SPICER (TO SUIT BM186)
MID ASSY	
MA9C	SPICER MID ASSY TO SUIT 90MM Ø CENTRE BRG)

BM REF #	COMMENTS / DESCRIPTION
9C	71.4 X 168.4MM UJ BHC

SHAFT ASSY

9CYS A-10	SHORT COUPLE Lc = 238.4MM La=75MM
9CYS A-11	SHORT COUPLE L= 289MM La= 75MM SLIP 90X2.5X34 25° - VOLVO
9CYS A-1	SHORT COUPLE Lc = 325MM
9CYS A-2	SHORT COUPLE Lc = 377MM
9CYS A-3	SHORT COUPLE Lc = 435MM
9CYS A-4	SHORT COUPLE Lc = 347MM * VOLVO 11116162 *
9CYS A-4A	SHORT COUPLE Lc = 347MM * VOLVO 11116162 * ALT BRAND
9CYS A-7	SHORT COUPLE Lc = 340MM * VOLVO 11116170 *
9CYS A-9	SHORT COUPLE Lc = 395.4MM La= 130MM SLIP

TUBE

TUBE110X6	110X6MM Ø
-----------	-----------

BM REF #	COMMENTS / DESCRIPTION
S990	72X138MM UJ BHC

BM730	72X138MM S990 SRS SPICER ITALCARDANO HIGH WING DRILLED
-------	---

BM REF #	COMMENTS / DESCRIPTION
J490 / 10.5C	88.9 X 172.7MM UJ BHC

SLIP ASSY

SAJ490	COMPACT STYLE, YOKE SHAFT & SLEEVE 142.2X6.4MM Ø TUBE
--------	--

TUBE YOKE

TYJ490	THREADED HOLES 142.2X6.4MM Ø TUBE
--------	-----------------------------------

U'JOINT

BM189	J490 HIGH WING DRILLED
-------	------------------------

SHAFT ASSY

J490AS-1	SLIDING SHAFT C/W HIGH WING JOINTS
----------	------------------------------------

BM REF #	COMMENTS / DESCRIPTION
J600 / 11C	88.9 X 172.7MM UJ BHC

SLIP ASSY

SA11C	SPICER (COMPACT SPLINE 90x2.5x34) H=359MM La. 150MM 144 X 7MM Ø TUBE
-------	---

TUBE YOKE

TYJ600	THREADED HOLES 165.1X7MM Ø TUBE
--------	---------------------------------

TY11C	SPICER H=85MM 144 X 7MM Ø TUBE
-------	--------------------------------

BOLT

BK-5	BOLT TO SUIT
------	--------------

U'JOINT

BM235	SPICER 11C HIGH WING DRILLED SINGLE ROLLER BRG CAP - 4 X SIDE LUBE
-------	---

BM309	J600 / 11C HIGH WING DRILLED DOUBLE ROLLER BRG - 4 X SIDE LUBE
-------	---

BM REF #	COMMENTS / DESCRIPTION
10C	92.1 X 165.1MM UJ BHC

SLIP ASSY

SA10C	SPICER ORIGINAL COMPACT STYLE 142X6MM Ø TUBE La=150MM (5/8" 18 UNF)
-------	--

SA10C/1	SPICER ORIGINAL COMPACT STYLE 142X6MM Ø TUBE La=150MM (M16 X 2)
---------	--

TUBE YOKE

TY10C/1	SPICER THREADED HOLES 142X6MM Ø TUBE
---------	---

BM REF #	COMMENTS / DESCRIPTION
----------	------------------------

10C	92.1 X 165.1MM UJ BHC
U'JOINT	
BM188	STANDARD 10C HIGH WING DRILLED
BM188/1	SPICER HIGH WING DRILLED
BM706	SPICER ORIGINAL 10C HIGH WING DRILLED SFL
BM812	10C 4 X HIGH WING DRILLED SPICER HOLES 15MM - KOMATSU
BM863	10C 4 X LOW WING DRILLED
BOLT	
BK-3	BOLT TO SUIT BM188/1 10C (5/8" 18 UNF)
BK-14	BOLT TO SUIT BM188/1 10C (M16)
SHAFT ASSY	
10CAS-3	ROCKFORD DISTRIBUTOR KIT (LESS TUBE) TO SUIT 127X9.5MM Ø TUBE KIT INCLUDES - SLIP ASSY (32 INV SPLINE) TUBE YOKE & U-JOINTS WITH BOLTS
10CYSA-1	SPICER SHORT COUPLE Lc = 473MM OVER UJ FACES HWD 100 MM SLIP
END YOKE	
EY10C	10C END YOKE 46 SPL. (2.94" Ø) H=135.7MM - HUB DIA. = 101.6MM

BM REF #	COMMENTS / DESCRIPTION
----------	------------------------

12C	92.2X241.3MM BHC
SLIP ASSY	
SA12C	SLIP ASSY (SPICER ORIGINAL COMPACT STYLE) 160X10MM Ø TUBE
TUBE YOKE	
TY12C	160X10MM Ø TUBE (SPICER ORIGINAL)
U'JOINT	
BM411	12C HIGH WING DRILLED (SPICER ORIGINAL) M14 BOLT HOLES

BM REF #	COMMENTS / DESCRIPTION
----------	------------------------

12.5C	92.2X227MM BHC
SLIP ASSY	
SA12.5C	SLIP ASSY (STUB & SLEEVE) 140X10MM Ø TUBE SPICER
TUBE YOKE	
TY12.5C	140X10MM Ø TUBE SPICER
TY12.5C/1	160X10MM Ø TUBE SPICER
U'JOINT	
BM392	HIGH WING DRILLED SPICER
TUBE	
TUBE140X10	140X10MM Ø

BM REF #	COMMENTS / DESCRIPTION
----------	------------------------

15C	100 X 200MM UJ BHC
SLIP ASSY	
SA15C	SPICER ORIGINAL SLIP ASSY * COMPACT STYLE * 160X10MM Ø TUBE (SPLINE = 120x2.5x46) M20x2.5 L =410MM
SLEEVE YOKE	
SL15C	SLEEVE YOKE 15C ALT H=349.2MM 3/4-16 UNF 38 SPLINES
SL15C/1	SLEEVE YOKE 15C ALT H=349.2MM M20X2.5 38 SPLINES
SLIP STUB	
SS15C	SLIP STUB 15C ALT H=361MM 165.1X9.65MM 138 SPLINES 97.2MM SPL DIA.
TUBE YOKE	
TY15C	TUBEYOKE 15C 160X10MM M20X1.5MM SPICER
TY15C.2	TUBEYOKE 15C ALT H=104.7MM 165.1X9.65MM 3/4" 16 UNF
TY15C.4	TUBEYOKE 15C ALT H=104.7MM 165.1X9.65MM M20X2.5

BM REF #	COMMENTS / DESCRIPTION
15C	100 X 200MM UJ BHC

U'JOINT	
BM307	15C 4 X HIGH WING DRILLED ROCKFORD 3/4" X 16UNF
BM307/1	15C 4 X HIGH WING DRILLED ROCKFORD M20X2.5
BM307/3	15C 4 X HIGH WING DRILLED SPICER W/O BOLTS
BOLT KIT	
BK-8	BOLTS FOR 15C BM307 S M20X2.5 (SOLD SINGLY 1 X BOLT)
MID STUB	FOR CATERPILLAR APPLICATIONS
2076183	ROCKFORD 57 SPLINE (H=289.1MM / BEARING Ø 96.8MM / TUBE Ø 165.1MM)
END YOKE	FOR CATERPILLAR APPLICATIONS
03079471	ROCKFORD 57 SPLINE (H=158.8MM / SPLINE Ø 92.2MM / M20x2.5)
SHAFT ASSY	
15CAS-1	ROCKFORD DISTRIBUTOR KIT (LESS TUBE) TO SUIT 165.1X9.5MM Ø TUBE KIT INCLUDES - SLIP ASSY (37 INV SPLINE) TUBE YOKE & U-JOINTS WITH BOLTS

BM REF #	COMMENTS / DESCRIPTION
15.5C	100 X 200MM UJ BHC

U'JOINT	
BM790	100 X 200MM UJ BHC

BM REF #	COMMENTS / DESCRIPTION
14.5C	107X252MM BHC

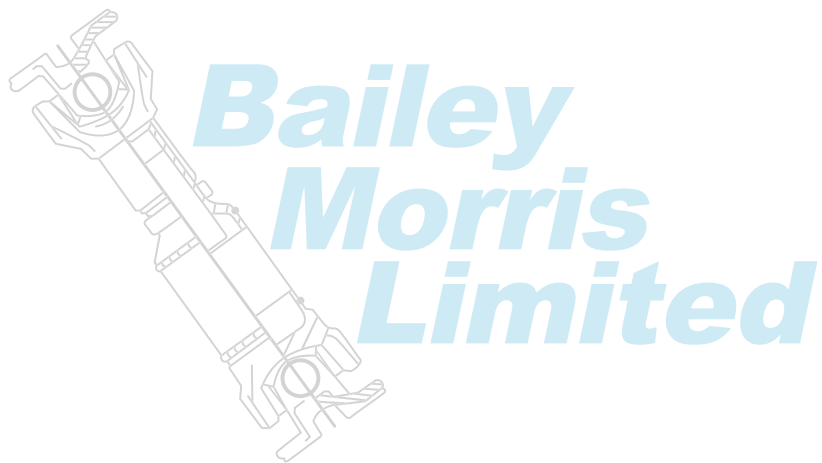
SHAFT ASSY	
	KOMATSU SHORT COUPLE MECHANICS 14.5C L=463MM (LESS UJS)
U'JOINT	
BM462	UNIVERSAL JOINT 14.5C 107X252MM HWD
BM871	14.5C SPICER 4X HIGH WING DRILLED LUBE
SLIP ASSY	
SA14.5C	SLIPASSY 14.5C MECHANICS 219X13.3MM H=370MM La.135MM
TUBE YOKE	
TY14.5C	TUBEYOKE 14.5C 219X13.3MM TUBE H=100MM

BM REF #	COMMENTS / DESCRIPTION
20C	117.6 X 277MM UJ BHC

TUBE YOKE	
TY20C	TUBEYOKE 20C ROCKFORD MECHANICS
U'JOINT	
BM791	117.6 X 277MM UJ BHC

BM REF #	COMMENTS / DESCRIPTION
14C	134.88X269.5MM BHC

SLIP ASSY	
SA14C	SLIP ASSY H=370MM TO SUIT 219X13.3MM Ø TUBE 25° La=135MM M18X1.5MM
TUBE YOKE	
TY14C	TUBE YOKE H= 100MM TO SUIT 219X13.3 Ø TUBE 25° L=100MM M18X1.5MM
U'JOINT	
BM487	14C SPICER 4 X HIGH WING DRILLED M18X1.5



SAE COMPONENTS & SEMI FINISHED SHAFTS



BM REF #	COMMENTS / DESCRIPTION
----------	------------------------

0.500	19X52MM UJ
SLEEVE YOKE	
SL88.1	SLEEVE YOKE 0500SRS L=109MM SLIP 82MM
SLIP STUB	
SS88.1	SLIPSTUB 0500 SRS L=87MM 26.7MM BASE
SS88.2	SLIPSTUB 0500 30MM BASE TUBE 25MM SLIP L=85MM
TUBE YOKE	
TY88.1	TUBEYOKE 0500SRS L=42MM BASE=26.7MM
TY88.2	TUBEYOKE 0500SRS L=64MM BASE=30MM
FLANGE YOKE	
FY88.1	FLANGE 0500SRS 58X4X5MM H=38.5MM
FY88.2	FLANGE 0500SRS 65X4X6MM H=38.5MM
UNIVERSAL JOINT	
BM120	19X52MM 0500 / CENTRE LUBE GU350

BM REF #	COMMENTS / DESCRIPTION
----------	------------------------

1140	23.8 X 61.3MM UJ
SLEEVE YOKE	
SL1.1	SLEEVE 43MM SLIP H=110MM 17° / 1403.018
SL1.19	SLEEVE H=94MM 17° / 1403.1288
SL1.13	SLEEVE 43MM SLIP 17° H=129MM
TRANSMISSION SLEEVE	
SL1.2	TRANSMISSION SLEEVE 35MM Ø 25 SPL FORD / 1403.2398 L=149MM HARDENED
SL1.2/1	TRANSMISSION SLEEVE 35MM Ø 25 SPL FORD / 1403.2398 L=149MM EUROPEAN ORIGIN
SL1.23	TRANSMISSION SLEEVE 35MM Ø 20/22 SPL MAZDA L= 149MM 0
SL1.3	TRANSMISSION SLEEVE 30MM Ø 16 SPL FORD / 1403.2418 L=120MM ORIGINAL WAS 135MM
SL1.5	TRANSMISSION SLEEVE 30MM Ø 18/20 SPL FORD / 1403.2488 L=135MM
FLEXIBLE JOINT	
RS1187CK	REVERSE SLEEVE 30MM Ø FORD 1.6LTR / BONDED TYPE
RS1270GK	REVERSE SLEEVE 35MM Ø 25 SPLINES FORD / BONDED TYPE
SLIP STUB	
SS1.13	43MM SLIP / 1.75X.095" TUBE RILSAN COATED 1442-1891 L=104MM
SS1.1	43MM SLIP / 2X.064" TUBE 1442.1901 L=104MM
SS1.7	43MM SLIP / 2X.064" TUBE RILSAN COATED 1442-1901 L=104MM
SS1.5	43MM SLIP / 2X.095" TUBE RILSAN COATED 1442-2531 L=110MM
SS1.14	43MM SLIP / 2X.095" TUBE 1442-2531 L=110MM
SS1.2	43MM SLIP / 2.5X.064" TUBE 1442.1921 L=104MM

BM REF #	COMMENTS / DESCRIPTION
1140	23.8 X 61.3MM UJ
SS1.10/1	43MM SLIP / 2.5X.064" TUBE RILSAN COATED 1442.1921 L=104MM
SS1.4	43MM SLIP / 2.75X.064" TUBE 1442-1931 L=110MM
SS1.9	35MM SLIP / 2.75X.064" TUBE 1442-3271 L=146MM7
SS1.6	43MM SLIP / 3.00X.064" TUBE L=123MM
SLIP ASSY	
SA1.1	43MM SLIP / 2X.064" TUBE (STUB & SLEEVE ONLY) L=125MM RILSAN COATED
SA1.6	43MM SLIP / 2X.095" TUBE (STUB & SLEEVE ONLY) L=125MM RILSAN COATED
SA1.2	43MM SLIP / 2X.064" TUBE (STUB/SLEEVE/UJ & 87x4x5/160 "SAE FLANGE)
SA1.5	60MM SLIP / 2X.095" TUBE (YOKE SHAFT & SLEEVE) RILSAN L=161MM 34X1.75 INV SPLINE COMPACT STYLE
YOKE SHAFT	
YS1.1	YOKE SHAFT H=135MM 17°
YS1.2	YOKE SHAFT H=110MM 17°
FIXED JOINT	
	STANDARD 1140SAE (87X4X5/16") 2X.064" TUBE
FE1.2	FORD 109X4X10 2X.064" TUBE
FLANGE YOKE	
FY1.1	STANDARD 1140SAE 87X4X8.2 (5/16") H=30.2MM (SPOTFACED) 1402.039
FY1.25	STANDARD 1140SAE 87X4X8.2 (5/16") H=30.2MM 1402.039
FY1.19	STANDARD 1140SAE 87X4X8.2 (5/16") HEAVY DUTY H=35MM 1402.039
FY1.30	88X4X9.5MM ALFA ROMEO H=32MM MS=57.1MM PCD=
FY1.3	75X6X6MM H=39MM
FY1.4	90X4X8MM H=40MM
FY1.5	92X4X3/8" BLMC H=40MM 1402.459
FY1.31	100X4X8.5MM BMW H=44MM PCD= 76.9MM MS=47MM BHC=54.4X54.4MM
FY1.26	100MM DIA BLANK FLANGE H=44MM FS=57MM
FY1.2	110X4X8.2MM H=44MM PCD=91.2 MM MALE SPIGOT=74MM SCENIC / KANGOO
FY1.6	109X4X10.4MM FORD H=40MM MALE SPIGOT=56MM 1402.1379
FY1.17	109MM DIA BLANK FLANGE H = 40MM
FY1.11	VAUXHALL BRAVA 88X4X8MM H=36MM
FY1.12	FREELANDER H=30.2MM PCD=75MM SPIGOT=57.1MM BHC=50X55MM)
FY1.22	BMW 102X4X10.2MM H=41MM PCD=84MM MS-47MM
TUBE YOKE	
TY1.5	1.75X.095" TUBE 1426-897 H=35MM
TY1.1	2X.064" TUBE 1426.017 H=35MM
TY1.6	2X.095" FORD TRANSIT 1426.037 H=35MM
TY1.22	2X.095" TUBE H=48MM
TY1.2	2.5X.064" TUBE 1426.067 H=35MM
TY1.4	2.75X.064" TUBE 1426.137 H=33.5MM
TY1.3	3X.064" TUBE 1426.717 H=36.5MM
MID STUB	
MS1.9	TRANSIT 1140 2.1X.095" TUBE Ø 23 SPLINES (USE WITH MY1.5 & 30MM BRG) TIRSAN
MS1.5	TRANSIT 2X.064" TUBE Ø (USE WITH MY1.5)
MS1.8	TRANSIT 1140 1300 2.5X.064" TUBE Ø 26 SPLINES (USE WITH MY1.4) TIRSAN
MID YOKE	
MY1.5	TRANSIT MID YOKE H=86MM (USE WITH MS1.5 & MS1.9) TIRSAN
MY1.4	MIDYOKE 26 SPLINE H=80.7MM (USE WITH MS1.8) TIRSAN
EY1.2	FREELANDER 1404.206672
COMP FLANGE	
CF1.1	1140SAE PILOT BORE .5"

BM REF #	COMMENTS / DESCRIPTION
1140	23.8 X 61.3MM UJ
END YOKE	
EY1.3	52MM SOLID BASE H=80MM
CENTRE BRG	
BMCB131	KIT CAR APPLICATIONS 30X76MM (USE WITH 31141400600 FLINGERS) 7MM OFFSET
BMCB226	FREELANDER 30X82X15MM
BMCB96	FREELANDER 30X138X15MM 3180-3015
BMCB96/1	FREELANDER 30X138X15MM 3180-3015 ORIGINAL
BMCB96/2A	c/w STRENGTHENING BLOCKS TOQ000060 - ALTERNATIVE
BMCB216	LONDON TAXI 30X138X15MM
BMCB57	FORD TRANSIT 30X144X13MM 3180-3004 (USE WITH 31141400600 FLINGERS)
BMCB61	FORD TRANSIT 30X140X13MM 1480-3002 (USE WITH 31141400600 FLINGERS)
BMCB168	FORD SIERRA / SCORPIO 30X150X13MM
BMCB224	KIT CAR APPLICATIONS 35X76X14MM - 7MM BRG OFFSET (SEE PIC #118)
BMCB19	FORD TRANSIT 45X144X16MM 3180-4511
440888	RUBBER INSERT FOR ROUND FORD CTR BRGS
U'JOINT	
BM194	1140 STANDARD / SIDE LUBE (EXTENDED NIPPLE)
BM161/1	1140 STANDARD / SFL
BM31	1140 STANDARD / CENTRE LUBE
BM29	1140 PREMIUM DUTY / LUBE
BM29/1	1140 PREMIUM DUTY / LUBE HS152 C/W THRUST WASHERS
BM230	1140 HEAVY DUTY / SFL (FREELANDER)
BM230/1	1140 HEAVY DUTY / SFL (FREELANDER) O.E. SPECIFICATION
BM414	1140 STANDARD / END LUBE IN CAP
BM621	1140 (MATSUBA / UJ-023) SIDE LUBE
SHAFT ASSY	
TDB103520	FREELANDER 4X4 1.8L FRONT WHEEL DRIVE SHAFT LH & RH C/w WITH CVs
14D-2	FREELANDER FRONT SECTION C/w CV PLUNGE JOINT - OE REF FTC5428 (NEW REF TVB000090)
14D-2A	FREELANDER FRONT SECTION C/w CV PLUNGE JOINT - O E #FTC5428 / TVB000090 - ALTERNATIVE
14D-6	FREELANDER REAR SECTION 710MM WELD-WELD - FTC5430/TVB000190
14D-6A	FREELANDER REAR SECTION - FTC5430/TVB000190 AFTERMARKET
UL9U034	FREELANDER VIBRATION DAMPER (OEM)
DISCOVERY	
TVB500360	RANGE ROVER FRONT C/w CV JOINTS
TVB500360A	RANGE ROVER FRONT C/w CV JOINTS - ALTERNATIVE
RANGE ROVER	
TVB500510	RANGE ROVER SPORT & DISCOVERY FRONT SHAFT 2005 ONWARDS (CV & PLUNGE JOINTS) (OEM)
TVB500510A	RANGE ROVER SPORT & DISCOVERY ALTERNATIVE TO O.E.
TVB500390	RANGE ROVER SPORT 2 PIECE PROPSHAFT
Y.S.A.	
14KS-4	1140 SRS C/w 1140 SAE FLANGES @ 194MM COMPRESSED 21MM SLIP
SEMI FINISHED WELDED ONE END PROPSHAFTS	
14AS-8	1140 SRS WELDED @ FIXED JOINT END 1220MM FF 2X.095" Ø TUBE LENGTH =1000MM
14AS-9	1140 SRS WELDED @ FIXED JOINT END 1720MM FF 2X.095" Ø TUBE LENGTH = 1500MM

BM REF #	COMMENTS / DESCRIPTION
1140	23.8 X 61.3MM UJ



BM REF #	COMMENTS / DESCRIPTION
1210	27 X 61.9MM UJ

SHAFT ASSY

- FL-35 **SANDERSON** SHAFT LESS ADAPTOR PLATE 1140SAE L =180MM
- FL-36 **MANITOU** SHAFT 1410SAE (M12) / 188MM FL - UJ CL CLOSED

SHAFT ASSY

- DAIHATSU-1 30MM Ø 19 SPLINE + 2 MASTER (1210 SERIES / UN-WELDED FORM) L=980MM

SLIP STUB

- SS87.4 SLIPSTUB 1210 2.5X064" 16 SPLINE H=155MM (USE WITH SL87.4)
- SS87.6 SLIPSTUB 1210 2X.064" 16 SPLINE RILSAN H=125MM (USE WITH SL87.4)
- SS87.2 SLIPSTUB 1210 2.5X064" 16 SPLINE H=197MM (USE WITH SL87.8)
- SS87.7 SLIPSTUB 1210 2X.082" 16 SPLINE RILSAN H=152MM (USE WITH SL87.4)

SLEEVE YOKE

- SL87.4 SLEEVE 1210 SRS 14/16 SPLINE H=162 MM (USE WITH SS87.4)
- SL87.8 SLEEVE 1210 SRS 14/16 SPLINE H=203MM (USE WITH SS87.2)

TRANSMISSION SLEEVE

- SL87.5 **TOYOTA** 21 SPLINES 35MM Ø H=152.4MM

FLANGE YOKE

- FY87.1 1140SAE 87X4X5/16" H=31MM
- FY87.2 **TOYOTA** 100X8X8MM PCD=78MM BHC=55X55MM SPIGOT= 46MM
- FY87.3 **NISSAN & DAIHATSU** 102X4X10MM H=43MM SPIGOT=50MM BHC=57X57MM

TUBE YOKE

- TY87.1 TO SUIT 2X0.064" TUBE H=38.1MM 2-28-827
- TY87.2 TO SUIT 2.5X.064" TUBE H=33MM 2-28-1947

U'JOINT

- BM49 STANDARD 27X61.9MM END LUBE
- BM49/1 ORIGINAL SPICER 27X61.9MM END LUBE -5-443X
- BM492/1 STANDARD 27X61.9MM SFL

FITTING KITS

- 2-94-28X U-BOLT KIT 1210/1310/1330
- 2.70.18X STRAP & BOLT KIT - CONSISTS OF 1 X STRAP & 2 X BOLTS



BM REF #	COMMENTS / DESCRIPTION
1300	27 X 74.6MM UJ (SEE ALSO 2015) ***SEE 2015 SECTION UNDER GWB***

YOKE SHAFT

YS2.1 BRD 33 SERIES 16 SPLINE TO SUIT SL2.6/SL2.9 3082-13431 185MM UJ C/J TO EOS

SLEEVE YOKE

SL2.1 50MM SLIP STD / 3003.068 L=137MM
 SL2.3 **FORD TRANSIT** C/W 1410 H.D. SPLINE USE WITH SS6.7 L156MM
 SL2.6 **LAND ROVER** 3123.548 2.X.095" TUBE USE WITH YS2.1 & YS3.3 16 SPLINE
 SL2.12 **JAGUAR & TRANSIT** SLEEVE SLIPMID 3X.064W" 1410SPL L=150MM

TRANSMISSION SLEEVE

SL2.2 **FORD** TRANSMISSION SLEEVE 35MM Ø (25 SPLINES) 3003.4798 H=154MM
 SL2.10 **GETRAG** TRANSMISSION SLEEVE 38MM Ø (27 SPLINE) H=132MM
 SL2.23 **TREMEC** TRANSMISSION SLEEVE 38MM Ø H=132MM (27 SPLINE) SPICER
 SL2.11 **NISSAN** TRANSMISSION SLEEVE 35MM Ø (24 SPLINE)
 SL2.24 **MAZDA** TRANSMISSION SLEEVE 35MM Ø H=150MM (20/22 SPLINES)

SLIP STUB

SS2.3 50MM SLIP / 2X.095" TUBE RILSAN COATED SPLINE L=129MM
 SS3.2 70MM SLIP / 2X.095" TUBE 3142.3061 RILSAN COATED SPLINE L=146MM
 SS3.13 70MM SLIP/ 2X.095"W/o RILSAN
 SS3.3 111MM SLIP / 2X.095" TUBE 3142.3081 L=196MM
 SS3.4 50MM SLIP / 2.5X.064" TUBE RILSAN COATED L=128MM
 SS2.4 50MM SLIP / 2.5X.095" TUBE L=128MM
 SS3.8 50MM SLIP / 2.75X.064" TUBE RILSAN COATED
 SS3.10 50MM SLIP / 3X.064" TUBE RILSAN SPLINE"
 SS3.15 100MM SLIP / 2.5X.082" H=191MM 2-40-1851"

SLIP ASSY

SA2.3 50MM SLIP / 2X.095" TUBE (W/o UJ & FL) RILSAN STUB & SLEEVE ONLY
 SA2.4 50MM SLIP / 3X.064" TUBE (W/o UJ & FL) NON-RILSAN STUB & SLEEVE ONLY

FLANGE YOKE

FY2.3 87X4X5/16" STANDARD 1140SAE H=43MM
 FY2.6 97X4X9.6MM STANDARD FLANGE 1310SAE H=35MM 3002.239
 FY2.16 97X4X10.2MM 1310SAE MS=60.3 PCD =79.4MM H=35MM
 FY2.30 **BMW** 102X4X10.2MM MS=47MM PCD=84MM H=41MM
 FY2.33 **NISSAN** 102X4X10MM PCD=81.2MM H=40MM MS=50MM BHC=57X57MM
 FY2.10 **NISSAN** 102X4X12MM PCD=81.2MM H=45MM MS=50MM BHC=57X57MM
 FY2.1 **FORD** 109X4X10MM 3002.1409 SPIGOT 56MM H=40MM
 FY2.11 **ISUZU** 109.5X4X10MM 65MM SPIGOT / 85MM PCD H=40MM
 FY2.9 **NISSAN TAXI** 115X4X10.1MM 65MM SPIGOT 95MM PCD
 FY2.20 **120MM BLANK** H=40MM MS=40MM
 FY2.2 **FORD** 120X4X12 40MM SPIGOT H=40MM
 FY2.4 **FORD** 120X4X12 56MM SPIGOT H=40MM
 FY2.34 **120MM BLANK** (UNDRILLED) FORD MS=40MM H=43MM

TUBE YOKE

TY2.17 50X3MM TUBEYOKE WITH EXTENDED SOLID BAR BASE H=383MM
 TY2.10 2X.064" TUBE 3026.2064 H=44.5MM - SOLID BASE
 TY2.5 2X.095" TUBE 3026.2607 H=44.5MM
 TY2.13 2X.095" TUBE 3026.2607 H=50MM WIDE ANGLE - HOLLOW BASE
 TY2.11 61.5M SOLID BASE O/ALL HEIGHT = 72MM / UJ CTR TO WELD PREP 52MM
 TY2.9 73MM SOLID BASE O/ALL HEIGHT = 74MM / UJ CTR TO WELD PREP 52MM
 TY2.2 2.5X.064" TUBE 3026.1577
 TY2.8 2.5X.095" TUBE H=50MM
 TY2.3 2.75X.064" TUBE 3026.212027
 TY2.1 3X.064" TUBE 3026.1567 H=44.5MM
 TY2.4 3.5X.064" TUBE H=42.88MM

BM REF #	COMMENTS / DESCRIPTION
1300	27 X 74.6MM UJ (SEE ALSO 2015) ***SEE 2015 SECTION UNDER GWB***
MID STUB	
MS2.1/1	TRANSIT LONG MID STUB / 2X.095" USE WITH MY2.1/1 & MY1.2/1 TIRSAN
MS2.2/1	TRANSIT LONG MID STUB / 3X.064" USE WITH MY2.1/1 & MY24.4 TIRSAN
MS2.12	LONG MIDSTUB 1140 1300 2X.064" 26 SPL USE WITH MY1.4 & MY2.1/1 H=82MM
MID YOKE	
MY2.1/1	TRANSIT MID YOKE "LONG" H=80.2MM USE WITH MS2.12 / MS2.1/1 & MS2.2/1 TIRSAN
END YOKE	
EY3004.004	61MM SOLID BASE H=100MM (90°)
CV JOINT	
BMCV03	FORD TRANSIT CV JOINT 94MM DIA FORD REF 1526894 / 72BG4606CA
DL5074	FORD TRANSIT METAL SHROUD WITH RUBBER BOOT
DOUBLE JOINT	
DJ2.1	NOW USE DJ3.5
CENTRE BRG	
BMCB96	FREELANDER 30X138X15MM 3180-3015
BMCB96/1	FREELANDER 30X138X15MM 3180-3015 ORIGINAL
BMCB96/2A	FREELANDER c/w STRENGTHENING BLOCKS TOQ000060 - ALTERNATIVE
BMCB57	FORD TRANSIT 30X144X13MM 3180-3004
BMCB57A	O.E. FORD TRANSIT 30X144X13MM (99VB4826AB / YCIW4826BC)
BMCB61	FORD TRANSIT 30X140X13MM 1480-3002
BMCB19	FORD TRANSIT 45X144X16MM 3180-4511
BMCB02	FREIGHT ROVER & VOLVO 3180-4501
U'JOINT	
BM195	STANDARD UNIVERSAL JOINT 27X74.6MM
BM195A	1300 HEAVY DUTY (MATSUBA UJ-055) SIDE LUBE
BM195B	1300 (GMB GU-1100) SIDE LUBE
BM332	1300 UNIVERSAL JOINT 27X74.6MM CENTRE LUBE
BM52	1300 INTERMEDIATE SHROUDED SEALS & THRUST WASHERS
BM52/2	1300 SPICER ITALCARDANO - SIDE LUBE
BM52/3	1300 SRS PREMIUM DUTY (METAL SEALS & THRUST WASHERS)
BM766	1300 / 1310 SRS COMBINATION JOINT 27X74.6/ 81.8MM C/w THRUST WASHERS
BM54	1300 (SFL) STEEL SEAL RETAINERS & THRUST WASHERS
BM297	1300 27X74.6MM SFL PREMIUM DUTY
BM297/1	1300 27X74.6MM SFL PREMIUM DUTY (SFL) O.E. ORIGIN
SEMI FINISHED WELDED ONE END PROPSHAFTS	
30AS-4	1300 SRS WELDED @ FIXED JOINT END 2"Ø TUBE LENGTH 1000MM



BM REF #	COMMENTS / DESCRIPTION
1310	27 X 81.8MM UJ

YOKE SHAFT

YS3.3	YOKE SHAFT H=167MM
YS3.4	YOKE SHAFT H=125MM (TO SUIT 31K001)
YS3.10	YOKE SHAFT H=134.9MM (SPL. LENGTH = 2.25" 1.3/8"x16)
YS3.5	YOKE SHAFT H=137MM (TO SUIT 31K006 - SAE 1 3/8"x16)
YS3.6	YOKE SHAFT H=174MM (TO SUIT 31K005 - SAE 1 3/8"X16 - STEEL SPLINE)
YS3.8	YOKE SHAFT H=174MM (TO SUIT 31K005 - RILSAN)
YS3.8/1	YOKE SHAFT H=174MM (TO SUIT 31K005) SPICER RILSAN 2-82-1921
YS3.9	YOKE SHAFT H=248MM 38X2 DIN5480 "EXTREME"

SLEEVE YOKE

SL3.1	50MM SLIP (3103.128)
SL3.2	70MM SLIP 30° (3103.3658) H=166MM
SL3.3	111MM SLIP 30° (3103.4218) H=208MM
SL3.6	37MM SLIP (TO SUIT YSA 31K006) H=126MM
SL3.7	20MM SLIP (TO SUIT YSA 31K001) H=104MM
SL3.4	OLD IVECO DAILY SLIP MID SLEEVE (70MM SLIP) USE WITH MS3.1 & BMCB60
SL3.15	NEW IVECO DAILY SLIP MIDSLEEVE USE WITH MS3.4/BMCB91 & BOOT KIT 232817/232818
SL3.34	SLEEVE 1310 C/w 1410 SPLINE H=166MM

TRANSMISSION SLEEVE

SL3.27	ISUZU REVERSE SLEEVE 38MM Ø H=163MM 26 SPLINES 1 X MASTER
SL3.8	TREMEC / FORD T5 REVERSE SLEEVE 38MM Ø H=152MM (MAX SPLINE 28)
SL3.9	U.S. APPLICATIONS 38MM Ø H=132MM (27 SPLINE) SPICER 2-3-6081X FITS T350 & TH350 GEARBOX
SL3.9/1	AMERICAN APPLICATIONS 38MM Ø H=132MM (27 SPLINE) OE REF. 2-3-6081X FITS T350 & TH350 GEARBOX - CHROME FINISH + SUPERIOR STRENGTH
SL3.12	TREMEC TH400 REVERSE SLEEVE 47.9MM Ø H=140MM (31/32 SPLINE) 2-3-10431X
SL3.13	NISSAN SERENA/CABSTAR SLEEVE 35MM Ø H=153.6MM (22/24 SPLINE)
SL3.14	NISSAN & MITSUBISHI L200 SLEEVE 35.96MM Ø H=136MM (23/24 SPLINE)
SL3.16	NISSAN LARGO REVERSE SLEEVE 38MM ØX154MM (24/26 SPLINE)
SL3.17	NISSAN SLEEVE 42MM Ø H=192MM (28/30 SPLINE)
SL3.18	NISSAN 300ZX SLEEVE 42X159MM 28/30 SPLINE H=160MM
SL3.20/1	TOYOTA SLEEVE 38MM Ø H=152MM (21 SPLINES) W/ANGLE 2-3-11661X
SL3.28	TOYOTA SLEEVE 40MM Ø H=146MM (23 SPLINES) 2-3-11721X
SL3.29	CHEVY SLEEVE 38MM Ø H=152MM (16 SPLINES) 2-3-1331X
SL3.31	FORD EXPLORER SLEEVE 40.6MM Ø H=208MM (27/28 SPLINES)

SLIP STUB

SS2.3	50MM SLIP / 2X.095" TUBE RILSAN COATED SPLINE L=129MM
SS3.13	70MM SLIP/ 2X.095" W/o RILSAN
SS3.3	111MM SLIP / 2X.095" TUBE 3142.3081
SS3.4	50MM SLIP / 2.5X.064" TUBE RILSAN COATED
SS3.6	79MM SLIP / 2.5"X.082" TUBE 2-40-1711
SS2.4	50MM SLIP / 2.5X.095" TUBE
SS3.11	NOW USE SS3.6
SS3.8	50MM SLIP / 2.75X.064" TUBE RILSAN COATED
SS3.10	50MM SLIP / 3X.064" TUBE RILSAN SPLINE
SS3.9	50MM SLIP / 3.5X.064" TUBE 2-40-991

SLIP ASSY

SA3.1	111MM SLIP / 2X.095" TUBE (W/o UJ & FL) STUB & SLEEVE ONLY
SA3.9	110MM SLIP / 50X3MM 30° L=235MM COMPACT STYLE
SA3.6	50MM SLIP / 2X.095" TUBE (W/o UJ & FL) RILSAN STUB & SLEEVE ONLY
SA3.15	50MM SLIP / 2.5X.064" TUBE (W/o UJ & FL) RILSAN STUB & SLEEVE ONLY

BM REF #	COMMENTS / DESCRIPTION
1310	27 X 81.8MM UJ
SA3.18	70MM SLIP / 2.00X.095" TUBE (W/o UJ & FL) NON RILSAN STUB & SLEEVE ONLY
SA3.13	70MM SLIP / 2.5X064" TUBE (W/o UJ & FL) STUB & SLEEVE ONLY
SA3.17	50MM SLIP / 3.0X.064" TUBE (W/o UJ & FL) RILSAN STUB & SLEEVE ONLY
SA3.16	60MM SLIP / 2X.095" TUBE (YOKE SHAFT & SLEEVE) RILSAN H=164MM 34X1.75 INV SPLINE COMPACT STYLE
SA3.11	110MM SLIP / 3.00X.095" TUBE (W/o UJ & FL) 30° YOKE SHAFT & SLEEVE L=236MM
SA3.2	115MM SLIP / 3X.064" TUBE (YOKE SHAFT & SLEEVE) L=245MM IVECO DAILY
SA3.29	70MM SLIP / 2.00X.095" TUBE (W/o UJ & FL) RILSAN H=185MM
DOUBLE JOINT SLIP ASSY	
SA3.19	SLIPASSY D/JOINT La80MM 1310SAE 97X4X10.2MM PCD79.37MM BHC=51X60.8MM TUBE= 63.5X3.4(2.5X.095) L=335MM - LAND ROVER DEFENDER
SA3.21	SLIPASSY D/JOINT La80MM 1310SAE 97X4X9.6MM PCD79.37MM BHC=51X60.8MM TUBE= 63.5X3.4(2.5X.095) L=335MM - LAND ROVER DEFENDER
SA3.22	SLIPASSY D/JOINT La80MM 1310SAE 120X4X10.2MM PCD=95MM BHC=67.2X67.2MM TUBE= 63.5X3.4(2.5X.095) L=335MM - LAND ROVER DEFENDER
SA3.23	SLIPASSY D/JOINT La80MM 1410SAE 116X4X12.2MM PCD=95.3MM BHC=61.25X73.0MM TUBE= 63.5X3.4(2.5X.095) L=335MM - LAND ROVER
SA3.24	SLIPASSY D/JOINT La80MM L=335MM PCD=81.3MM BHC=57.5X57.5MM FS=50MM TUBE= 63.5X3.4(2.5X.095) NISSAN PATROL
TUBE ADAPTOR	
ADAPTOR/5	TUBE ADAPTOR 2.50X.095" TO 3.00X.064" (63.5X2.4X76.2X1.64) H=44MM
FIXED END	
FE3.6	100X6X8MM HEAVY DUTY WIDE ANGLE FIXED JOINT TO SUIT 2.5X.064" TUBE
DOUBLE JOINT	
DJ3.2	SSANGYONG MUSSO 105X4X12 / 63.5X2.4MM TUBE
DJ3.3	CHEROKEE 1310 SRS HALF ROUND / 50.8X3.05MM TUBE
DJ3.4	CHEROKEE 1310 SRS HALF ROUND / 63.5X2.1MM TUBE (2.5X.083")
DJ3.6	MERCEDES ML270 1310 SRS 63.5X2.1MM TUBE (67/67MM BOLT HOLE CTRS)
DJ3.12	TOYOTA HILUX 1310 PCD=93.34MM MS=46MM 4X11.2MM BOLT HOLES BHC=66X66MM TUBE Ø 63.5X2.4MM H=181MM
DJ3.13	TOYOTA HILUX 1310 PCD=84.85MM MS=46MM 11.2MM BHC = 60X60MM TUBE Ø 63.5X2.4MM H=181MM
DJ3.14	NISSAN PATROL 1310 PCD=81.3MM MS=50MM 10.2MM BHC = 57.5X57.5MM TUBE Ø 63.5X2.4MM H=183MM
DJ3.8	1410SAE (12MM) H=181MM TUBE Ø 63.5X2.4MM
H-SECTION	
31H-1	FORD TRACTOR 1310 SERIES H COUPLING W/o UJ'S / FLANGES H=70MM
31H-2	1310 H-COUPLING ONLY H=68MM (AMERICAN)
31H-3	1310 H-COUPLING ONLY H=68MM (DANA SPICER OEM)
31H-4	1310 H-COUPLING ONLY H=75MM UJ CENTRES
BALL KIT	
7-0081	DJ REPAIR KIT (FOR GREASEABLE UJ)
7-0081NG	DJ REPAIR KIT (FOR SFL UJ)
FLANGE YOKE	
FY3.27	87X4X5/16" (88X4X8.2MM) 1140SAE FITTING H=40MM
FY3.48	87X4X5/16" (88X4X8.2MM) 1140SAE FITTING H=44MM
FY3.32	90MM BLANK FLANGE H=50MM
FY3.10	90X4X8MM H=50MM
FY3.14	92X4X9.8MM H=35MM PCD=76.2MM SPIGOT=57.1MM LDV *LIMITED AVAILABILITY*

BM REF #	COMMENTS / DESCRIPTION
1310	27 X 81.8MM UJ
FY3.6	97X4X10.2MM H=35MM 1310SAE METRIC BOLT HOLES
FY3.81	97X4X10.2MM H=35MM 1310SAE METRIC BOLT HOLES
FY3.2	97X4X3/8" / 3102.329 H=35MM 1310SAE STANDARD
FY3.3	97X4X3/8" / 3102.459 H=41MM 1310SAE 30° PCD=79.4MM MS=60.3MM RECTANGULAR
FY3.53	97X4X3/8" H=41MM 1310SAE 30° PCD=79.4MM MS=60.3MM ROUND
FY3.40	97X4X3/8" / H=35MM PCD=79.4MM MS=60.3MM SPICER ORIGINAL 2-2-329 RECTANGULAR
FY3.82	97X4X3/8" H=35MM PCD=79.4MM MS=60.3MM
FY3.41	97X4X3/8" / 1310 SAE H=54MM 10.3MM BOLT HOLES TO SUIT DOUBLE JOINT 31H-4"
FY3.30	99X6X8.1MM CHEVY, JEEP, FORD CV JOINT CONVERSION H=67.9MM PCD= 86MM SPIGOT=49.9MM
FY3.15	100MM BLANK H=53MM
FY3.1	100X6X8MM / H=48MM 3102.1359
FY3.25	100X6X8MM / H=53MM FS=57MM PCD=84MM (27°)
FY3.65	100X6X8MM / H=53MM FS=57MM PCD=84MM (25°)
FY3.45	100X8X8MM MERCEDES G WAGEN H=55MM TO SUIT DOUBLE JOINT 31H-4
FY3.23/1	102X4X10MM H=55MM PCD=81.25MM SPIGOT=50MM BHC=57X57MM (NISSAN SERENA & LARGO) WIDE ANGLE
FY3.16	105X4X8MM VAUXHALL BRAVA / ISUZU H=42MM PCD=85MM SPIGOT=65MM
FY3.8	108X4X10MM ISUZU & SSANGYONG H=45MM PCD=85MM SPIGOT=65MM 3003.243
FY3.17	105X4X10MM TOYOTA HILUX H=42MM PCD=84.84MM BHC=60X60MM
FY3.42	105X4X10MM TOYOTA D/J FLANGE PCD=84.84MM SPIGOT=46MM BHC=60X60MM
FY3.69	108X4X8MM KIA SPORTAGE H=59MM MS=45 PCD=89MM BHC=63X63MM
FY3.83	109X4X10.4MM FORD H=40.6MM MS=56MM PCD=90MM BHC=60X67MM
FY3.83/2	109X4X10.4MM FORD H=40.6MM MS=56MM PCD=90MM BHC=60X67MM (HEAVY DUTY)
FY3.24	FORD RANGER & MAZDA 1310 H=45 MS=45 PCD=104.6 BHC=74X74 MM 2-2-1859 C/w 2 TAPPED HOLES FOR VIBRATION DAMPER
FY3.43	110X4X10MM TOYOTA D/J FLANGE PCD=93.18MM SPIGOT=46MM BHC=70X61.5MM
FY3.44	110X4X10MM TOYOTA D/J FLANGE PCD=93.34MM SPIGOT=46MM BHC=66X66MM
FY3.70	110X4X10.2 TOYOTA H=59MM MS=46MM PCD=91MM 28° MAX ANGLE
FY3.66	110X4X10.5MM KIA PCD=90MM SPIGOT=60MM H=59MM BHC=63.7X63.7MM
FY3.87	112X4X10.2MM NISSAN PCD=88.4MM SPIGOT=65MM H=59MM BHC=62.5X62.5MM
FY3.34	113X4X11MM TOYOTA PCD=93MM H=43MM MALE SPIGOT=46MM BHC=66X66MM
FY3.62	115X4X10MM MITSUBISHI DOUBLE JOINT PCD=90MM SPIGOT=60MM BHC=58X69MM
FY3.7	116X4X12MM 1410SAE H=35MM PCD=95.3MM SPIGOT=69.9MM 2-2-1459
FY3.5	116X4X7/16" 1410SAE H=35MM PCD=95.3MM BHC=69.9MM 3102.479 / 2.2.479
FY3.22	116X4X10.2MM MITSUBISHI H=45MM PCD=90MM SPIGOT=60MM BHC=69X58MM
FY3.28	117.5X4X12.4MM FORD COBRA & SSANYONG H=42MM PCD=88.9MM SPIGOT = 50.8MM BHC=63X63MM 2-2-939
FY3.71	118X4X10.5MM MAZDA / KIA H=59 PCD=96.2MM MS=45MM BHC=68X68MM
FY3.58	120MM DIA BLANK H=59MM
FY3.9	120X4X10.2MM MERCEDES SPRINTER H=58MM PCD=101.5MM
FY3.74	120X4X12MM NISSAN D/JOINT FLANGE H= MS=65 PCD=95MM BHC=67X67MM
FY3.63	120X6X10MM H=58MM PCD=101.5MM SPIGOT=75MM
FY3.21	120X8X10MM H=52MM PCD=101.5MM SPIGOT=75MM
FY3.73	120X8X10MM H=59MM PCD=101.5MM SPIGOT=75MM
FY3.83	120X4X12.2MM NISSAN H=59MM PCD=95.25MM SPIGOT=50MM BHC=67X67MM
FY3.13	121X4X12MM NISSAN H=43.5MM PCD=95MM SPIGOT=65MM BHC=67X67MM

BM REF #	COMMENTS / DESCRIPTION
1310	27 X 81.8MM UJ
FY3.38	124X4X12.2MM CHRYSLER H=49MM PCD=99.99MM SPIGOT=54.9MM BHC=71X71MM
FY3.49	125MM DIAMETER BLANK H=56MM 30 DEGREES
FY3.72	125X4X12.9MM NISSAN H=59MM MS=65MM PCD=107.5MM BHC=76X76MM
FY3.76	125X4X12.9MM NISSAN H=56MM FS=65MM PCD=107.5MM BHC = 76X76MM
FLANGE YOKE (CV)	
FY3.20	CHEROKEE JEEP OPEN FLANGE YOKE C/w BALL (THREADED HOLES)
FY3.37	LAND ROVER 1310SAE 97X4X10.3 D/J MS= PCD=79MM H=41.2 5MM
FY3.60	LANDROVER FLANGE C/w BALL (67/67MM BHC - 65MM MALE SPIGOT) H=56MM
FY3.35	MERCEDES ML270 (4X4) C/w BALL (67/67MM BOLT HOLE - 70MM REGISTER)
TUBE YOKE	
TY3.15	1.75X.095" TUBE 2-28-3187
TY3.14	50X3MM TUBE (30°) H=49MM
TY3.24	50X3MM TUBE (30°) H=49MM
TY3.2	2X.095" TUBE 3126.1417 H=42.9MM
TY3.4	2X.095" TUBE 3126.2057 (30°) H=49.2MM
TY3.18	2X.095" TUBE 3126.2057S H=42.9MM
TY3.8	2.5X.064" TUBE 3126.2907 H=47MM
TY3.28	2.5X.064" TUBE 3126.2907 H=42.9MM
TY3.16	2.5X.082" TUBE H=45MM
TY3.1	2.5X.095" TUBE
TY3.19	2.5" SOLID BASE / CENTRED 72MM UJ CTR > END
TY3.5	3X.064" TUBE H=55MM (30°)
TY3.17	3X.064" TUBE H=43MM (20°) 3126-2897
TY3.6	3X.082" TUBE 2-28-437
TY3.10	3X.095" TUBE H=55MM
TY3.7	3.5X.064" TUBE - SPICER H=43MM
TY3.25	3.5X.064" TUBE - H=45MM
TY3.12	4.0X.082" (101.6X2.1MM TUBE)
TY3.9	70X2MM TUBE
TUBE YOKE (CV)	
TY3.11	CHEROKEE JEEP C/w PIN 50.8X3.00MM TUBE H=28.6MM
TY3.13	CHEROKEE JEEP C/w PIN 44.5X2.41MM TUBE H=36.5MM
TY3.20	MERCEDES ML270 (4X4) C/w PIN 63.5X2.1MM TUBE H=36.5MM
TY3.22	TUBEYOKE CV 1310 50X3MM H=52MM USE WITH 31H-4
TY3.26	TUBEYOKE CV 1310 63.5X2.5 (2.0X.095") H=55MM
COMP FLANGE	
CF3.1	1310SAE 10 SPLINE 1.375" & 35MM DIA C/BRG TO SUIT MS3.3 3101.2831
CF3.2	100X6X8MM 10 SPLINE 1.375" & 35MM DIA C/ BRG H=60.7MM
CF3.8	100X6X8MM 35X2X16MM SPLINE (USE WITH MS3.16 & GWZ10066 MID NUT) H=60MM
CF3.3	PILOT BORED 1310SAE 3101.113
CF3.7	1410SAE (M12) TO SUIT MS3.10 * IVECO APPLICATIONS *
CF3.10	VW KRAFTER & MERCEDES SPRINTER USE WITH MID STUB MS3.18 & BMCB196B
MID STUB	
MS3.1	TO SUIT 3X.082" (USE WITH SL3.4 & BMCB60) OLD IVECO DAILY
MS3.3	TO SUIT 35MM C/BRG / 2.5X.064" TUBE USE WITH CF3.1 3157.1441 10 SPLINES
MS3.4	TO SUIT 3X.082" (USE WITH SL3.15/BMCB91 & BOOT KIT 232817/232818) IVECO DAILY
MS3.5	TO SUIT 35MM C/BRG BMCB14 70X2MM TUBE USE WITH CF3.1 3157.1441 10 SPLINES

BM REF #	COMMENTS / DESCRIPTION
1310	27 X 81.8MM UJ
MS3.9	PUMP MID STUB 3" Ø TUBE TAPERED WITH KEY & NUT 30MM DIAMETER
MS3.10	TO SUIT 40MM C/BRG BMCB91 3X.082" (USE WITH CF3.7) IVECO DAILY
MS3.11	TO SUIT 35MM C/BRG BMCB14 2.00X.095" TUBE 1 3/8 "10 SPLINE USE WITH CF3.1 / CF3.2
MS3.12	TO SUIT 35MM C/BRG BMCB14 50X3MM TUBE 1 3/8 "10 SPLINE USE WITH CF3.1 / CF3.2
MS3.13	TO SUIT 35MM C/BRG BMCB14 2.75X.064 TUBE 1 3/8" 10 SPLINE USE WITH CF3.1 / CF3.2
MS3.16	TO SUIT 50X3MM (35X2X16 SPL) USE WITH CF3.8 & GWZ10066 MID NUT) H=111.5MM
MS3.18	TO SUIT 47MM C/BRG BMCB196B 70X1.6MM TUBE USE WIT& CF3.10 FLANGE VW KRAFTER & MERCEDES SPRINTER
MID ASSY	
MA3.1	PUMP / INDUSTRIAL MID ASSY TAPER SHAFT & 1310SAE COMP FLANGE 2.5" Ø SOLID C/W KEY & NUT
BOOTKIT	
232817 (232818)	1310/1410 BOOTKIT (Inc. RUBBER GAITOR/CLIPS + CAN) USE WITH MS3.4/SL3.15
1501008400891	1310/1410 RETAINING CLIP 60MM Ø
1501008400892	1310/1410 RETAINING CLIP 65MM Ø
1501001900100	1310/1410 BOOT CAN
END YOKE	
EY3.1	MID YOKE IVECO USE WITH MS3.2 30 OFF INVOLUTE SPLINES
EY3.2	1" BORE X 6MM KEYWAY FOR JCB 2-4-2993
EY3.3	1.25"X.5/16" (31.75X8MM) JCB 2-4-2863
EY3.4	1.125"X5/16" (31.75X 8MM) JCB 2-4-2853
EY3.5	15 INV.SPLINE (ALT 2-4-4921) 1" MAJOR Ø
EY3.6	13 INV.SPLINE (ALT 2-4-3331) 0.875" MAJOR MIDEND PUMP TAPER 1310SAE 54MM SOLID
EY3.7	HALF ROUND MID YOKE FOR FORD RANGER 2P PROPSHAFT 2-4-8261
EY3.8	14 SPLINE (2-4-1741) 32.2MM MAJOR Ø H=65MM
EY3.16	BORE 0.875" X 0.25" KEY H=65MM
EY3.20	ENDYOKE 14 SPLINE JCB 914/54201 MAJ. SPLINE DIA=32MM H=65MM
END YOKE (PINION)	
EY3.11	DANA 35 PINION YOKE 26 SPLINE 29.1MM MAJ Ø (2-4-4601-1)
EY3.12	PINION YOKE 1310 29 SPLINE 32.4MM MAJ Ø (38.1MM BOTTOM OF SPLINE) 47.6MM GROUND HUB DIAMETER
EY3.19	ENDYOKE 1310 14 "c" SPL 1.25" 12/24 SAE H=82.5MM (2-4-13106)
CV FIXED JOINT	
0617512000000	1310SAE CV FIXED JOINT H=150MM / MAX ANGLE 40° " PELJOB APPLICATION "
U'JOINT	
BM55	1310 STANDARD 27X81.8MM
BM55/1	1310 C/w LARGER CROSS JOURNAL (PIN Ø 18.2M)
BM55/2	1310 (GMB GU-1000) SIDE LUBE
BM50	1310 HEAVY DUTY METAL SEAL & THRUST WASHER 27X81.8MM
BM50/1	1310 SPICER ITALCARDANO SIDE LUBE
BM50/2	1310 H.D. METAL & RUBBER SEAL & THRUST WASHER
BM50/3	1310 H.D. AYRA SPICER TYPE - IVECO
BM50/4	1310 H.D. PLASTIC SEALS & THRUST WASHER
BM50/5	1310 H.D. METAL SHROUD & THRUST WASHER - HS152
BM50/8	1310 H.D. HIGH TEMP

BM REF #	COMMENTS / DESCRIPTION
1310	27 X 81.8MM UJ
BM592	1310 HEAVY DUTY (SFL)
BM728	1310 (MATSUBA UJ-016) SIDE LUBE
BM605	1310 ORIGINAL SPICER 5-153X
BM247	1310 SFL 27X81.8MM ORIGINAL SPICER 5-625X
BM570	1310 END LUBE VERSION 5-810X ALTERNATIVE
BM733	1310 ORIGINAL SPICER 5-1310-1X (5-810X) LUBE IN CAP - FORD RANGER
BM300	1310 SFL NON LUBE
BM781	1310 (SFL) GMB TYPE GU1310SP
BM586	1310 H.D. WITH 6.4MM OFFSET
BM834	(SFL) IVECO DAILY ORIGINAL EQUIPMENT STAKED
BM617	1310 SRS C/w HOLE IN BODY TO SUIT 1310SRS DOUBLE JOINT DJ3.1 27X84.4MM
BM766	1300 / 1310 SRS COMBINATION JOINT 27X74.6/ 81.8MM C/w THRUST WASHERS
BM345	1310 / 1330 COMB (27X92MM ON OPPOSITE SPAN)
BM345/1	1310 / 1330 COMB (27X92MM ON OPPOSITE SPAN) SPICER ORIGINAL 5-134X
BM131	1310 / 1350 COMB (30.2X92.1MM ON OPPOSITE SPAN)
BM432	1310 27X81.8MM & 28X56MM INTERNAL COMBINATION
BM603	CLEVELAND S55-55-675 28.58X81.8MM / 27X60.45MM I/C & 81.8MM EXT CIRCLIP
BM712	1330 SRS TO 7290 SRS COMBINATION 27X92.1MM / 28.6X66.6MM INTERNAL CIRCLIP ON OPPOSITE SPAN
BM438	1310 SRS TO 3RL COMBINATION / 27X81.8MM / 28.6X65MM I/C
BM656	1310 / 28X80MM I/C ON OPPOSITE SPAN - DAIHATSU
BM509	1310 / 27X81.8MM / 2 X 2C MECHANICS COMBINATION
BM508	1310SRS COMBINATION 28.6X60MM / 27X81.8MM
BM555	1310 / 7260 COMB 27.4X54MM I/C ON OPPOSITE SPAN
BM489	25.4X59.4MM INTERNAL CIRCLIP (P.T.O) & OLDSMOBILE 2060D
BM694	1310 / 2R 27X81.8MM COMBINATION 25.4X59.4MM I/C ON OPPOSITE SPAN 2060W
FITTING KITS	
2-94-28X	U-BOLT KIT 1210/1310/1330
2.70.18X	STRAP & BOLT KIT - CONSISTS OF 1 X STRAP & 2 X BOLTS
CENTRE BRG	
BMCB14	STANDARD 35X168X25MM 3180-3501
BMCB56	IVECO DAILY & RENAULT / 35X168X17MM
BMCB60	IVECO DAILY RANGE / 35X168X22MM
BMCB17	1410 & 1510 / 45X168X27MM 5180-4001
BMCB17/1	1410 & 1510 / 45X168X27MM SPICER 212139-1X
BMCB91	IVECO DAILY 40X168X22MM - EXTENDED SHROUD - ORIGINAL 211926-2X
BMCB91A	IVECO DAILY 40X168X22MM - ALTERNATIVE TO 211926-2X
SHORT COUPLE SHAFTS (YSA)	
31K001	YSA Lz.225MM (La.20MM)
31KS-3	YSA H=180MM UJ CL (CAN BE REDUCED TO 123MM) 35X30X16 Ø SPLINE
31K005	YSA Lz.270MM (La.50MM)
31K006	YSA Lz.246MM (La.35MM)
SEMI FINISHED WELDED ONE END PROPSHAFTS	
31AS-4	1310 SRS W.O.E. WELDED @ FIXED JOINT END 2" Ø TUBE LENGTH 1000MM
31AS-4/1	1310 SRS W.O.E. WELDED @ FIXED JOINT END 2" Ø TUBE LENGTH 1200MM
31AS-9A	1310 H.D. WELDED @ SLIP END C/w 287.10 SRS COMPACT SPLINES 50X3MM Ø TUBE 1000MM 30° WIDE ANGLE



BM REF #	COMMENTS / DESCRIPTION
1310	27X82MM UJ - STAKED - IVECO

SLIP ASSY YOKE SHAFT & SLEEVE COMPACT STYLE

SA3.20 85MM SLIP 84X1,70MM TUBE H=212.5MM (CLOSED) ** Friction Welding Type

FLANGE YOKE

FY3.97 1410SAE H=41.5MM

TUBE YOKE

TY3.35 TO SUIT 63.5X2.11MM TUBE H=61.5MM ** Friction Welding Type

TY3.36 TO SUIT 84X1.7MM TUBE H=61.5MM ** Friction Welding Type

COMP FLANGE

CF6.20 120X4X11 (REF No. 42575432)

CF6.21 1410SAE (REF No. 42575433)

MID STUB

MS3.19 TO SUIT 63.5X2.11MM (30X15MM CENTRE BEARING)

MS3.20 TO SUIT 84X1.7MM (30X15MM CENTRE BEARING)

END YOKE

EY3.26 TO SUIT MS3.19/MS3.20 H=66.7MM

U/JOINT

BM834 27X82MM STAKED (SFL) IVECO DAILY OE

CENTRE BRG

BMCB293 IVECO DAILY (REF No. 42569349) 30X168X15MM

FLEXIBLE COUPLING

FC-21 IVECO DAILY (OEM) TO SUIT 1310 STAKED PROPSHAFTS PCD = 105MM 6X12MM HOLES * KIT ALSO INCLUDES: 1 X 4 BOLT YOKE, BOLTS, NUTS & BUSH

TUBING

TUBE63.5X2.11 63.5MM X 2.11MM (High Strength)

TUBE84X1.7 84MM X 1.7MM (High Strength)

COMPLETE PROPSHAFTS

5801681709 1310 STAKED IVECO DAILY 3-PIECE L.2560MM

5801711372 1310 STAKED IVECO DAILY 3-PIECE L.2530MM

5801681722 1310 STAKED IVECO DAILY 3-PIECE L.3140MM

MANY OTHER VERSIONS AVAILABLE - PLEASE ENQUIRE

BM REF #	COMMENTS / DESCRIPTION
1330	27X92.1MM UJ

FLANGE YOKE

FY4.1 1330 **1410SAE** 11.1MM H=39.7MM

FY4.2 **LANDROVER** 1310SAE FITTING 10.1MM H=40.5MM

FY4.5 **FORD CHEVY** 50.8MM FEMALE REG 88.9MM PCD 12.3MM HOLES H=41.3MM

FY4.8 **TOYOTA** 116X4X12.2MM PCD=93MM BHC=66X66MM MALE SPIGOT=46MM H=42MM

FY4.10 **TOYOTA** 116X4X11.2MM PCD=93MM BHC=66X66MM MALE SPIGOT=46MM H=42MM

FY4.11 **CHRYSLER** 124X4X10.2MM PCD=99.9MM FS=54.9 BHC=71X71MM H=49MM

FY4.12 **FORD RANGER / NISSAN** 1330 132X4X12.2MM PCD=108MM, H=41.4MM, FS=65MM (5MM DEEP), BHC=76X76MM

FY4.13 **FORD RANGER / NISSAN** 1330 132X4X12.2MM PCD=108MM, H=43.4MM, FS=65MM (7MM DEEP), BHC=76X76MM

FY4.7 **FORD RANGER / NISSAN** 134X4X12.2MM PCD=108MM H=43MM FS=65MM BHC=76X76MM

TRANSMISSION SLEEVE

SL4.1 TREMEC.TKO / C6 G/BOX- 30/31 SPLINE 42.7MM SEAL Ø L=152MM (2-3-6041X)

SL4.2 T5 / C4 GEARBOX - 27/28 SPLINE 38.1MM SEAL Ø L=150MM (2-3-5981X)

SL4.3 FORD F150 GEARBOX - 27/28 SPLINE 40.7MM SEAL Ø L=168MM (2-3-14061X) (1.5975" SEAL Ø) 1.22" / 30.99MM MAJO SPLINE Ø

BM REF #	COMMENTS / DESCRIPTION
1330	27X92.1MM UJ
SL4.5	700R4 GEARBOX - 26/27 SPLINE 38.1MM SEAL Ø L=171MM (2-3-12051X) SPICER O.E.
SL4.7	TH400 GEARBOX - 31/32 SPLINE 47.6MM SEAL Ø L=126MM (USE 2-70-28X STRAP KIT)
SL4.11	T400 GEARBOX 31/32 SPLINE 47.9MM SEAL Ø L=172MM GM88-95 (2-3-10831X)
SL4.16	SLEEVE 39.6 MM SEAL Ø L=177.8MM 25/26 SPLINE NICKEL PLATED (2-3-14311X)
SLEEVE YOKE	
SL2.6	LAND ROVER 3123.548 2.X.095" TUBE USE WITH YS4.1
SL4.8	SLEEVE YOKE La. 82MM H=169MM USE WITH SS4.1 (2-3-7681KX)
SL4.12	SLEEVE YOKE La.79MM H=190MM (15/16 SPL)
SL4.9	SLEEVE 2.0X.095" TUBE Ø - USE WITH YS4.1
SL4.13	SLEEVE La.100MM H=190MM 16XSPL 35° (USE WITH SS3.15)
GAITOR	
211932X	GAITOR C/W CLIPS TO SUIT SL4.12
SLIP ASSY	
SA4.1	SLIP ASSY 1330 3X.082W" FORD RANGER ALT H=166MM, La.60MM
SLIP STUB	
SS4.1	82MM SLIP 3X.064W" RILSAN USE WITH SL4.8 (2-40-1221)
SS3.15	100MM SLIP / 2.5X.082" H=191MM 2-40-1851"
YOKE SHAFT	
YS4.1	RILSAN SPLINE - LANDROVER 3382.001 - USE WITH SL4.9
TUBE YOKE	
TY4.8	TO SUIT 2.50X.082" TUBE 2-28-1607
TY4.2	TO SUIT 3.00X.064" TUBE 2-28-1177
TY4.1	TO SUIT 3.00X.082" TUBE 2-28-1697
TY4.4	TO SUIT 3.50X.064" TUBE 2-28-1977
TY4.5	TO SUIT 3.50X.082" TUBE 2-28-1717
TY4.7	TO SUIT 4.00X082" TUBE 3326-40
3 ARM FLANGE	
CF4.1	COMP-FLANGE 96MM PCD 3-HOLE 2"X.082MM TUBE Ø H=24MM - LAND ROVER
U'JOINT	
BM59	27X92.1MM 1330 SERIES SIDE LUBE
BM782	27X92.1MM 1330 SERIES SIDE LUBE GMB G5-213X.
BM800	27X92.1MM 1330 **NEAPCO GOLD LINE** (SFL)
BM669	27X92.1MM 1330 SERIES SIDE LUBE SPICER 5-273X
BM681	27X92.1MM END LUBE SPICER 5-812X (FORD RANGER)
BM684	27X92.1MM 1330 SFL DANA SPL25 SFL
BM452	27X92.1MM 1330 SERIES LANDROVER DISCOVERY GKN TYPE
BM347	1330 / INTERNAL CIRCLIP COMB 30X92.1 / 28.6X60 / 65MM IC
BM345	27X81.8MM 1310 / 1330 27X92.1MM COMBINATION ON OPPOSITE SPAN
BM345/1	27X81.8MM 1310 / 1330 27X92.1MM COMBINATION ON OPP SPAN SPICER 5-134X
BM578	1330 / 1350 COMBINATION 27X92.1 / 30.2X92.1 5-648X
MID ASSY	
MA4.2	FORD RANGER MID ASSY 3"X.095" BMCB260 - 1350 SRS
MID YOKE	
EY4.1	1330 MID YOKE FORD RANGER 2P PROPSHAFT
EY4.2	1330 MID YOKE FORD RANGER (2P PROPSHAFT) ALT H=84.2MM USE WITH MS4.2

BM REF #	COMMENTS / DESCRIPTION
1330	27X92.1MM UJ

MID STUB	
MS4.2	MID STUB 1330 RANGER ALT USE WITH EY4.2 H=56.5MM 63.5X2.1MM 2.50X.082" TUBE
CENTRE BRG	
BMCB205	FORD RANGER 28X181X15MM
BMCB149	FORD RANGER 30X150X13MM
BMCB177	FORD MAVERICK 30X175X15.5MM (AUTO)
BMCB178	FORD MAVERICK 30X175X15.5MM (MANUAL)
BMCB260	FORD RANGER 3 & MAZDA 35X180X14MM - ORIGINAL
BMCB260A	FORD RANGER 3 & MAZDA 35X180X14MM - ALTERNATIVE
FITTING KITS	
2-94-28X	U-BOLT KIT 1210/1310/1330
2.70.18X	STRAP & BOLT KIT - CONSISTS OF 1 X STRAP & 2 X BOLTS
2-70-28X	STRAP & BOLT KIT (EXT'D BOLT / USE WITH SL4.7 / INC. 4 X BOLTS + 2 X STRAPS)
PROPSHAFTS	SEE SECTION NUMBER 20

BM REF #	COMMENTS / DESCRIPTION
3R	28.6X64.9MM I/C UJ (CHEVROLET/PONTIAC/GMC)

FLANGE YOKE	
FY106.1	79.4MM FEMALE REG 108MM PCD 11.4MM HOLES H=42.8MM
FY106.2	100KV PCD=74MM H=50.8MM BOLT HOLES=8.48MM
SLEEVE YOKE	
SL106.1	31/32 SPLINE H=187MM
TUBE YOKE	
TY106.1	TO SUIT 76.2X2.4MM TUBE H=44.4MM
TY106.2	TO SUIT 88.9X1.65MM TUBE H=47.6MM
DOUBLE JOINT	
FE3.2	SAGINAW DJ 76X76MM BOLT HOLES 79.37MM SPIGOT (4137268)
U'JOINT	
BM67	SAGINAW / DOUBLE JOINT 28.6X60.2/64.9MM 3031B
BM347	28.6X60 / 65MM / 27X92.1MM 1330 / 3R COMBINATION
BM577	28.6X64.9MM / 30X92.1MM 1350 / 3R COMBINATION
STRAP KIT	
534-10	U-BOLT & NUT KIT (2 X U-BOLTS & 4 X NUTS)
2-70-80X	STRAP & BOLT KIT (2 X STRAPS/4 X BOLTS)

BM REF #	COMMENTS / DESCRIPTION
1350	30.2X92.1MM UJ

FLANGE YOKE	
FY5.1	STANDARD FLANGE 116X4X11.1MM HOLES H=40MM 3502.119
FY5.5	FORD TRANSIT 3502.300 108MM PCD 12.75MM HOLES SPIGOT = 50.8MM H=42MM
FY5.8	MITSUBISHI 90MM PCD (64/64MM BOLT) H=55MM
FY5.9	133X4X12.7 H=41MM BHC=76X7MM FEMALE SPIGOT=65MM AMERICAN / NISSAN
FY5.11	LANDROVER DEFENDER 1310 SAE 97X4X10.2MM H=64MM
FY5.13	MERCEDES SPRINTER 132X4X10MM TELMA H=45MM FEMALE SPIGOT 67MM
FY5.15	GM 100KV 4X8.5MM BOLT HOLES PCD=74MM H=50.8MM
TRANSMISSION SLEEVE	
SL5.6	CHEVY 38ØX148MM 26/27 SPLINES (1X MASTER) 148MM C/L OF UJ TO END OF SLEEVE
SL5.8	TREMEC / FORD C4 / = SEAL Ø =38X168MM - 28 SPLINE 27/28 SPLINE
SL5.5	TH400 / FORD T10 SEAL Ø = 47.9X203MM 30/32 SPLINE L=202MM (DANA 3-3-5551X)

BM REF #	COMMENTS / DESCRIPTION
1350	30.2X92.1MM UJ
SL5.12	T400 / SEAL Ø = 47.89X139.7MM - 31/32 SPLINE (DANA 3-3-2431X) CHEVY GEARBOX TREMEC T400 / FORD T10
SL5.12/1	T400 / SEAL Ø = 47.89X139.7MM - 31/32 SPLINE (DANA 3-3-2431X) CHROME FINISH + SUPERIOR STRENGTH - TREMEC T400 / FORD T10
SL5.11	DODGE VIPER SEAL Ø = 42.7X168MM - 29/30 SPLINE (DANA 3-3-3931X)
SL5.13	C6 SLEEVE 1350 SEAL Ø = 42.8X163MM 30/31 SPLINE (DANA 3-3-2491X)
SL5.16	31/32 SPL INE H=176MM 47.9MM (1.886") Ø (DANA 3-3-4261X)
SL5.18	NISSAN PATHFINDER 43.9MM SEL Ø 30/32 SPL MAJOR SPLINE DIA. 1.378" (35MM)
SL5.20	GROUND SEAL Ø 47.88MM / 1.885" Ø 31/32 Ø SPL H=196MM
SL5.21	FORD F150 40ØX171MM 27/28 SPLINES / MAJOR SPL Ø=30.96MM L=171MM (3-3-14061X)
SLEEVE	
SL5.15	16 SPLINE H=100MM 19MM SLIP 38.1MM SPLINE Ø (3-3-388KX)
SL5.1	16 SPLINE H=148MM 52MM SLIP 38.1MM SPLINE Ø 3503-598
SL5.2	16 SPLINE H=186MM 82MM SLIP 38.1MM SPLINE Ø
SL5.7	FORD TRACTOR H=92MM TO SUIT 60X2.5MM TUBE BTB220
SL5.10	15/16 SPLINE CHEVROLET /FORD H=203MM 38.1MM Ø SPLINE USE WITH MS5.2
SL5.19	SLEEVE ONLY FOR SA5.2 70X3MM La.110MM RILSAN
SLIP STUB	
SS5.2	SLIPSTUB 1350 1410 2.5X.083W 52MM SLIP L=143MM
SLIP ASSY	
SA5.8	SLIP ASSY 1350 52X3.5MM 35° H= MM
SA5.7	SLIP ASSY 1350 COMPACT SPLINE 60X3MM La.110MM RILSAN L=MM 35°
SA5.2	SLIP ASSY 1350 COMPACT SPLINE 70X3MM La.110MM RILSAN L=240MM
SA5.5	SLIP ASSY 1350 COMPACT SPLINE 86MM BASE La.110MM RILSAN L=237MM
SEAL TUBE	
ST6.1	SEAL TUBE FOR SA5.2, SA6.6 & SA6.7
YOKE SHAFT	
YS5.2	YOKE SHAFT H=132MM SPICER REF 3-82-61 1.5" X 16SPL
YS5.3	YOKE SHAFT H=173MM SPICER REF 3-82-181 1.5" X 16SPL
MID STUB	
MS5.1	MID STUB FORD TRACTOR H=169MM TO SUIT 60X3MM TUBE
MS5.2	SLIPMID STUB CHEVROLET / FORD 15/16 SPLINE 38.1MM Ø USE WITH 40MM CTR BRG BMCB166 & SL5.10 3X.082" TUBE DIA H=270MM
H-SECTION	
35H-1	1350 H COUPLING ONLY H=73MM (MAX ANGLE 26°)
TUBE YOKE	
TY5.7	TO SUIT 50X3MM TUBE 30° H= 54MM
TY5.24	TO SUIT 52X3.5MM 35° H=
TY5.9	TO SUIT 60X3MM 35° H=
TY5.11	TO SUIT 2.5X.083" TUBE 20° H=49MM - 3526-2037
TY5.22	TO SUIT 2.5X.095" TUBE 20° H=50MM 3526-1667
TY5.20	TO SUIT 65.8MM BASE H=63MM
TY5.19	TO SUIT 70X2MM TUBE H=53MM
TY5.18	TO SUIT 70X3MM TUBE 20° H=50MM
TY5.1	TO SUIT 3.0X.082" TUBE 3-28-57 H=50MM
TY5.6	TO SUIT 3.0X.064" TUBE H=57MM (FORD TRANSIT)
TY5.21	TO SUIT 84X1.7MM TUBE (BASE 80.7MM) FRICTION WELDED T/YOKE REPLACEMENT H=68MM
TY5.10	TO SUIT 3.5X.064" TUBE 20° H=46MM

BM REF #	COMMENTS / DESCRIPTION
1350	30.2X92.1MM UJ
TY5.8	TO SUIT 3.5X.082" TUBE
TY5.4	TO SUIT 3.5X.095" TUBE H=68MM
TY5.13	TO SUIT 4.0X.082" TUBE
TY5.14	SOLID BASE 58.6MM H=60.8MM
U'JOINT	
BM73	STANDARD 30.2X92.1MM SHOULDER LUBE
BM404	30.2X92.1MM NEW GENERATION (FORD TRANSIT)
BM623	30.2X92.1 MM SPICER PREMIUM WITH LUBE 5-178X
BM801	30.2X92.1MM **NEAPCO GOLD LINE** (SFL)
BM572	30.2X92.1MM / ALLOY BRG CAPS (SFL) BRUTE FORCE
BM665	30.2X92.1MM (SFL) DANA SPL30 5-799X
BM665A	30.2X92.1MM (SFL) MATSUBA SPL30 5-799X
BM643	30.2X92.1MM (MATSUBA UJ-037)
BM643/1	30.2X92.1 END LUBE IN CAP
BM750	30.2X92.1MM GKN TYPE - LANDROVER
BM578	27X92.1 / 30.2X92.1MM 1330 / 1350 COMBINATION 5-648X
BM664	30.2X92.1MM / 30.2X106.3MM 1350 / 1410 COMBINATION JOINT
FIXING KIT	
3-94-18X	1410 (U-BOLT KIT)
1-0020	STRAP KIT 1350/1410 SPICER (EACH KIT COMPRISES OF 2 CLAMPS + 4 BOLTS)
CENTRE BRG	
BMCB154	35X100MM FORD TRACTOR - OE REF 83959518/E7NN4642AA
BMCB166	FORD & CHEVROLET 40X168X22MM
1410	30.2 X 106.3MM UJ
SLEEVE YOKE	
SL6.1	L=168MM 57MM SLIP STD / 4103.118
SL6.2	L=193MM 82MM SLIP WIDE ANGLE 30 DEGREES / 4103.458 - USE WITH SS6.11
SL6.6	L=100MM UJ C/L TO END OF SLEEVE 4103.1028 20MM SLIP
SL6.7	L=124MM UJ C/L TO END OF SLEEVE
SL6.14	L=133MM UJ C/L TO END OF SLEEVE 3-3-2041KX 1.375" X 16 SPLINE
SL6.3	IVECO DAILY SLIP MID SLEEVE L=186MM USE WITH MS6.1 & BMCB83
SL6.5	IVECO DAILY SLIP MID SLEEVE L=186MM USE WITH MS6.7/BMCB91 & BOOT KIT 232817/232818 ** SEE ALSO SA6.4**
SLIP STUB	
SS6.2	57MM SLIP / 3.5X.095" TUBE 4142.3091 L=160MM RILSAN COATED
SS6.1	57MM SLIP / 3X.095" TUBE 4142.3081 - NOW USE SS6.9
SS6.9	57MM SLIP / 3X0.095" TUBE L=156MM RILSAN COATED
SS6.7	70MM SLIP 3X.064" TUBE RILSAN COATED
SS6.3	82MM SLIP 52X3.5MM 2.0X.109" TUBE 4142.3101 L=177MM
SS6.6/1	70MM SLIP 3X.082 TUBE WITH GLIDECOTE 3-40-1409 L=180MM ORIGINAL
SS6.6	70MM SLIP 3X.082 TUBE WITH GLIDECOTE 3-40-1409 L=180MM
SS6.11	90MM SLIP 3X.095" TUBE RILSAN COATED - USE WITH SL6.2
STUB/SLEEVE ASSY	
SA6.5	STUB/SLEEVE ASSY 1410 (La.57MM) L=191MM COMPRISING SS6.9 & SL6.1 3.00X.095"
SA6.13	STUB/SLEEVE ASSY 1410 (La.82MM) RILSAN COATED (SL6.2 & SS6.11) 3X0.095"
SLIP ASSY YOKE SHAFT & SLEEVE COMPACT STYLE	
SA6.6	SLIPASSY 1410 INV.SPLINE 38X2 DIN5480 3"X095 La.110MM H=239MM C/w SEAL TUBE

BM REF #	COMMENTS / DESCRIPTION
1410	30.2 X 106.3MM UJ
SA6.7	SLIPASSY 1410 INV.SPLINE 38X2 DIN5480 70X3MM La.110MM H=239MM C/w SEAL TUBE
SA6.9	SLIPASSY 1410 INV.SPLINE 40X2 DIN5480 90X3MM La.110MM H=239MM C/w SEAL TUBE
SA6.8	SLIPASSY 1410 3X095" La.140MM SPICER ORIGINAL H=263MM C/w SEAL TUBE
SLIP MID ASSY	
SA6.4	IVECO DAILY SLIP MID ASSY 3.00X.095 TO SUIT BMCB91 40MM CTR BRG L=237MM 115MM SLIP
SHORT COUPLE SHAFTS (YSA)	
41KS-10	YSA 1410 335MM UJ CTRS CAN BE REDUCED TO 230MM UJ CTRS - SPLINE = 50x2.5
H-SECTION	
41H-1	H-PIECE 85MM JOINT CENTRES 56MM Ø C/w UNIVERSAL JOINTS
YOKE SHAFT	
YS6.1	YOKE SHAFT 145MM USE WITH SL6.4 TO GIVE Y.S.A. 286MM F/F
YS6.2	YOKE SHAFT 126MM UJ C/L TO END OF SPLINE 20MM SLIP 4182-1101
YS6.3	YOKE SHAFT 168 UJ C/L TO END OF SPLINE 50MM SLIP RILSAN COATED
MID ASSY	
MA6.2	IVECO MID ASSY 120X4X11 3X.095W SUPPLIED WITH BMCB91
MA6.4	IVECO MID ASSY 1410 SAE 3X.095W SUPPLIED WITH BMCB91
MA6.3	PUMP MID ASSY 40MM Ø TAPER SHAFT & 1410SAE COMP FLANGE 3.5" Ø SOLID BASE C/W KEY & NUT
MID STUB	
MS6.1	OLD IVECO DAILY SLIP MID STUB 3X.082" TUBE USE WITH SL6.3 & BMCB83
MS6.8	1410 1510 52X3.5MM 10 SPLINE SAE 1 1/2" x 10C W 1"x20
MS6.3	3X.095" USE WITH CF6.3 & CF6.6 5157.2641 10 SPLINES"
MS6.4	1410 1510 3.5X.095W" 10 SPLINE -- CAN ALSO USE MS7.2
MS6.5	10 SPLINE 3X.082" TUBE
MS6.7	NEW DAILY TO SUIT 3X.095" (USE WITH SL6.5/BMCB91 & BOOT KIT 232817/232818) **SEE ALSO SA6.4 **
BOOTKIT	
232817/232818	1310/1410 BOOT(RUBBER GAITOR) USE WITH MS6.5/SL6.5
1501008400891	1310/1410 RETAINING CLIP 60MM Ø
1501008400892	1310/1410 RETAINING CLIP 65MM Ø
1501001900100	1310/1410 BOOT CAN
END YOKE	
EY6.1	END YOKE 10 SPLINE
STRAP KIT	
3-70-28X	1410 (CONSISTS OF 1 X STRAP 2 X BOLTS)
3-94-18X	1410 (U-BOLT KIT)
1-0020	STRAP KIT 1350/1410 SPICER (EACH KIT COMPRISES OF 2 CLAMPS + 4 BOLTS)
COMP FLANGE	
CF6.1	COMP.FL 1410SAE 4XM12MM METRIC 10 SPLINES IVECO 3-1-4631
CF6.2	COMP.FL 19MM PILOT BORE 1410SAE4X11.1MM 57MM BOSS DIAMETER
CF6.5	COMP.FL PILOT BORE 1410SAE 4X11.1MM 79MM BOSS DIAMETER
CF6.3	COMP-FL 1410SAE 4X11.1MM STD TO SUIT MS6.3 / MS6.5 / MS10.1 / MS10.2 10 SPLINES
CF6.7	COMP-FL.1410SAE 4X12.2MM STD TO SUIT MS6.3 / MS6.5 / MS10.1 / MS10.2 10 SPLINES
CF6.4	COMP.FL 120X4X12MM SPIG=70 PCD=100 MITSHUBISHI CANTER 10 SPLINES

BM REF #	COMMENTS / DESCRIPTION
1410	30.2 X 106.3MM UJ
CF6.6	COMP.FL 120X4X12.3MM SPIG=80 PCD=100MM TO SUIT MS6.3 ISUZU / 10 SPLINES
CF6.9	COMP-FL 120X8X10MM FEMALE SPIGOT=101.5MM PCD USE WITH MS6.3 1.5"X 10 SPLINES
CF7.1	COMP-FL 120X4X11MM USE WITH MS6.3 & BMCB17 IVECO 3-1-4921 10 SPLINES
FLANGE YOKE	
FY6.24	97X4X10MM / 1310SAE H=64MM
FY6.4	100X6X8MM / 3.2.1239 H=52MM
FY6.12	100X6X8MM / H=64MM
FY6.19	100X6X8MM / H=67MM
FY6.1	116MM STANDARD 1410 SAE 4X7/16" / 4102.159 H=43MM
FY6.2	116MM STANDARD 1410SAE METRIC HOLES 4X12MM / 3.2.1309 H=43MM
FY6.17	116MM 1410 SAE 4X12MM H=74MM
FY6.9	116MM BENFORD 11.1MM HOLES H=49MM
FY6.7	116MM 1410 SAE 4X7/16" / 4102.039 30° WIDE ANGLE H=49MM
FY6.6	120X8X8MM / 4102.1189 H=55MM
FY6.8	120X8X10MM 3-2-1159 H=63.4MM
FY6.5	120X8X10MM / 4102.1199 H=55MM
FY6.21	120X8X10MM H=68MM
FY6.13	120X4X10MM 80MM REGISTER ISUZU H=55MM
FY6.3	120X4X11MM H=57MM
FY6.25	120X4X11MM H=57MM *STAKED UJ TYPE BM794* OE SPECIFICATION
FY6.22	120X4X11MM H=70MM
FY6.11	120X4X12MM 100MM PCD 70MM SPIGOT MINITUB H=55MM
FY6.15	120X4X12MM 100MM PCD 70MM SPIGOT MINITUB H=45MM SPICER
FY6.14	146MM 4X12.9MM 1510 SAE H=50.8MM 3-2-429
FY6.20	146MM 4X12.9MM 1510 SAE H=38MM 3-2-559
FY6.23	150X4X13MM H=66MM
TUBE YOKE	
TY6.6	2X.109" 45.5MM BASE DIA STANDARD ANGLE 20° / 4126.657 H=52MM
TY6.6/1	2X.109" 45.2MM BASE DIA STANDARD ANGLE 20° / 4126.657 H=52MM
TY6.2	3X.095" TUBE / 4126.2887 H=54MM
TY6.3	3.5X.095" TUBE / 4126.1637 H=54MM
TY6.4	3.5X.082" TUBE / 3-28-557 H=54MM
TY6.5	3X.082" TUBE ORIGINAL SPICER / 3-28-97
TY6.7	TUBEYOKE 1410 58.6MM SOLID BASE
U'JOINT	
BM179	STANDARD 30.2X106.3MM
BM179A	SPICER ORIGINAL 5-153X 30.2X106.3MM
BM802	**NEAPCO GOLD LINE** (SFL) 30.2X106.3MM
BM806	SPICER ORIGINAL - 5-462X WITH STEEL SHROUDS 30.2X106.3MM
BM211	SPICER SPL41 SPICER (SFL) TRIPLE LIP SEAL 5-641X 30.2X106.3MM
BM499	SPICER O.E MITSUBISHI 30.2X106.3MM WITH LUBE
BM561	HEAVY DUTY 30.2X106.3MM WITH SIDE LUBE
BM663	BRUTE FORCE 30.2X106.3 SFL HIGH SPEC
BM729	MATSUBA UJ-042 30.2X106.3MM SIDE LUBE
BM794	NEW IVECO DAILY (SFL) 30.2X106.3MM *O.E. SPEC*
BM591	COMB 1410 / 31.3X76.1 IC (DETROIT 5380)
BM664	30.2X92.1MM / 30.2X106.3MM 1350 / 1410 COMBINATION JOINT
BM829	30.2X106.3MM / 34.9X106.3MM 1410 / 1480 COMBINATION JOINT SFL
BM167	4C /1410 HIGH WING DRILLED COMBINATION 30.2X106.3MM 5-345X
BM762	5C / 1410 SERIES / 30.2X106.3MM / 42.9X88.9MM COMBINATION 5-12913X

BM REF #	COMMENTS / DESCRIPTION
1410	30.2 X 106.3MM UJ

CENTRE BRG

BMCB17	STANDARD 40X168X27MM 5180-4001
BMCB232	STANDARD 40X168X27MM WITH LUBE
BMCB17/1	1410 & 1480 / 45X168X27MM SPICER 212139-1X
BMCB56	IVECO DAILY & RENAULT / 35X168X17MM
BMCB60	IVECO DAILY RANGE / 35X168X22MM
BMCB83	IVECO DAILY RANGE / 40X168X22MM
BMCB91	IVECO DAILY RANGE 40X168X22MM - EXTENDED SHROUD ORIGINAL 211926-2X
BMCB91A	IVECO DAILY 40X168X22MM - ALTERNATIVE TO 211926-2X

FLEXIBLE COUPLING KIT

FC-22	IVECO DAILY ORIGINAL EQUIPMENT TO SUIT 1410 SRS STAKED PROPSHAFTS PCD = PCD = 120MM 8X12MM HOLES C/w 4 BOLT YOKE, BOLTS NUTS ETC
-------	---

SEMI FINISHED WELDED ONE END PROPSHAFTS

41AS-3	1410 SRS PROPSHAFT WELDED @ FIXED JOINT END 3" Ø TUBE LENGTH 1200MM
41AS-9	1410 SRS PROPSHAFT WELDED @ FIXED JOINT 3X.095" Ø TUBE LENGTH 1200MM INCLUDES RILSAN SPLINED STUB & HEAVY DUTY UNIVERSAL JOINTS
41AS-12	1410 SRS PROPSHAFT WELDED @ FIXED JOINT 3X.095" Ø TUBE LENGTH 1500MM
917026-1502	1410 SRS SPICER PROPSHAFT 116X4X12MM FLANGES WELDED @ FIXED JOINT 3X.095" TUBE LENGTH 1500MM

BM REF #	COMMENTS / DESCRIPTION
1410	30.2 X 106.3MM UJ - STAKED - IVECO

SLIP ASSY YOKE SHAFT & SLEEVE COMPACT STYLE

SA6.15	85MM SLIP 84X1,70MM TUBE H=223MM (CLOSED) ** Friciton Welding Type
SA6.16	85MM SLIP 84X1,70MM TUBE H=210.5MM (CLOSED) ** MIG Welding Type

FLANGE YOKE

FY6.25	120X4X11MM H=57MM
FY6.27	1410SAE H=51MM

TUBE YOKE

TY6.16	TO SUIT 84X1.7MM TUBE H=83.5MM
TY6.18	TO SUIT 84X1.7MM TUBE H=76MM ** MIG Welding Type

COMP FLANGE

CF6.20	120X4X11 (REF No. 42575432)
CF6.21	1410SAE (REF No. 42575433)

MID STUB

MS6.9	TO SUIT 84X1.7MM (40X22MM CENTRE BEARING)
-------	---

END YOKE

EY6.3	TO SUIT MS6.9 H=66MM
-------	----------------------

U/JOINT

BM794	IVECO DAILY 30 X 106.3MM SFL/STAKED with INA CAPS
-------	---

CENTRE BRG

BMCB294	IVECO DAILY (REF No. 42569357) 40X168X18MM
---------	--

FLEXIBLE COUPLING

FC-22	IVECO DAILY (OEM) TO SUIT 1410 STAKED PROPSHAFTS PCD = 120MM 8X12MM HOLES * KIT ALSO INCLUDES: 1 X 4 BOLT YOKE, BOLTS, NUTS & BUSH
-------	---

TUBING

TUBE63.5X2.11	63.5MM X 2.11MM (High Strength)
TUBE84X1.7	84MM X 1.7MM (High Strength)
TUBE101.6X1.7	101.6MM X 1.7MM (High Strength)
TUBE105X1.7	105MM X 1.7MM (High Strength)

BM REF #	COMMENTS / DESCRIPTION
1410	30.2 X 106.3MM UJ - STAKED - IVECO

COMPLETE PROPSHAFTS

5801681723	1410 STAKED IVECO DAILY 3-PIECE L.3140MM
5801715038	1410 STAKED IVECO DAILY 3-PIECE L.3170MM
5801715031	1410 STAKED IVECO DAILY 3-PIECE L.2770MM

MANY OTHER VERSIONS AVAILABLE - PLEASE ENQUIRE

BM REF #	COMMENTS / DESCRIPTION
1480	34.9 X 106.3MM UJ

SLEEVE YOKE

SL7.3	63MM SLIP / USE WITH SS7.2 3-3-1601KX L=173MM SPICER
SL7.5	63MM SLIP / USE WITH SS7.2 3-3-1601KX L=173MM ALTERNATIVE
SL7.1	63MM SLIP / HEAVY DUTY 1510 SPLINE L=173MM USE WITH SS7.1
SL7.8	150MM SLIP 44.5x16T SPLINE 3-3-4471KX L=322MM USE WITH SS7.3 SPICER
SL7.7	20MM SLIP / L=130MM SPICER

SLIP STUB

SS7.2	63MM SLIP / 3.5X.082" TUBE STANDARD RILSAN SPLINE 3-40-1571
SS7.2/1	63MM SLIP / 3.5X.082" TUBE STANDARD SPLINE 3-40-1571 ORIGINAL
SS7.4	63MM SLIP / 3.5X.082" TUBE STANDARD NON RILSAN SPLINE 3-40-1571
SS7.1	63MM SLIP / 3X.095" TUBE HEAVY DUTY 1510 RILSAN SPLINE USE WITH SL7.
SS7.3	150MM SLIP / 90X3MM 44.5x16T 90X3MM USE WITH SL7.8 SPICER

YOKE SHAFT

YS7.3	YOKESHAFT 1480 H=172MM 16 X SPLINE 1.562" SPL Ø 60MM SLIP
YS7.4	YOKESHAFT 1480 H=176MM 16 X SPLINE 1 3/4" SPLINE Ø 50MM SLIP

DUST CAP

DC3.86.88	SPICER DUST CAP
-----------	-----------------

FLANGE YOKE

FY7.8	116X4X11.3MM 1410 SAE H=60MM
FY7.16	116X4X12MM 1410 SAE H=74MM
FY7.6	120X6X10MM MERCEDES 609D & 709D 02-323 H=60MM
FY7.9	120X8X10MM 3-2-1299 H=65MM
FY26.6	120X4X11MM ORIGINAL H=60MM
FY26.10	120X4X11MM ALTERNATIVE H=60MM
FY7.11/1	120X4X12.2MM ISUZU 80MM SPIGOT BHC= 80.9MM X 58.78MM H=65MM
FY7.13	120X4X12MM MITSUBISHI 70MM SPIGOT PCD=100MM H=65MM
FY7.10	135X4X12.2MM DIA 80MM SPIGOT 109.2MM PCD H=62MM
FY7.1	1510SAE 3-2-479 H=50.8MM

TUBE YOKE

TY7.1	TO SUIT 3.5X.082" TUBE 3-28-537 H=51.5MM
TY7.2	TO SUIT 3X.095" TUBE H=51.6MM

COMP FLANGE

CF7.1	120X4X11MM / 10 SPLINES USE WITH MS6.3 & BMCB17 IVECO 3-1-4921
-------	---

END YOKE

EY7.1	HALF ROUND FITTING 3-4-3091-1 10 SPLINE USE WITH MS7.2
-------	--

STRAP KIT

3.70.38X	1480 / 1550 SPICER (CONSISTS OF 1 X STRAP 2 X BOLTS)
3-94-28X	1480 (U-BOLT KIT)

MID ASSY

MA7.2	135X4X12MM SPIGOT=80MM ISUZU & MITSUBISHI 3.5X.095 TUBE H=78.5MM (120MM WELD PREP TO FACE)
-------	--

BM REF #	COMMENTS / DESCRIPTION
1480	34.9 X 106.3MM UJ

MID STUB

MS7.1 **IVECO** SLIP MID ASSY USE WITH SL7.2
 MS7.2 3.5X.082MM TUBE STD 10 SPLINE 3-53-1821 USE WITH CF7.1 & EY7.1

MID NUT

MN16.74.101 MID NUT TO SUIT MS64.1

U'JOINT

BM263 **STANDARD** 1480 34.9X106.4MM
 BM272 **SPICER ORIGINAL 5-263X** 1480 34.9X106.4MM
 BM361 1480 SRS END LUBE IN 1 X BRG CAP
 BM170 34.9X106.4MM / 1480 / 5C **MECHANICS COMBINATION**
 BM761 34.9X106.4MM / 5C HIGH WING THREADED COMBINATION 1480 ON OPP SPAN
 BM829 30.2X106.3MM / 34.9X106.3MM 1410 / 1480 COMBINATION JOINT SFL

CENTRE BRG

BMCB17 STANDARD 40X168X27MM 5180-4001
 BMCB232 STANDARD 40X168X27MM WITH LUBE
 BMCB17/1 1410 & 1480 / 45X168X27MM SPICER 212139-1X
 BMCB83 40X168X22MM TRACK WIDTH / TO SUIT IVECO SLIP MID ASSY

SEMI FINISHED WELDED ONE END PROPSHAFTS

48AS-2 1480 SRS PROPSHAFT 120X8X10MM WELDED @ FIXED JOINT 3X.095" L=2000MM

BM REF #	COMMENTS / DESCRIPTION
1550	34.9 X 126.2MM UJ

SHAFT ASSY

BMPS12-NEW DENNIS DART AT 420MM FFC 1510SAE
 BMPS13-NEW DENNIS DART AT 450MM FFC 1510SAE
 BMPS14-NEW DENNIS DART AT 350MM UJ CL CLOSED C/W BM173 U-JOINTS
 BMPS66-NEW DENNIS DART AT 370MM UJ CL CLOSED C/W BM173 U-JOINTS
 BMPS78 OPTARE SOLO Lc.261MM OVER 6C FACES CLOSED (1550 YSA C/W 6C UJS)
 BMPS87 OPTARE SOLO Lc.261MM OVER 6C FACES CLOSED (1550 YSA C/W 6C UJS)
 BMPS82 OPTARE SOLO Lc.281MM OVER 6C FACES CLOSED (1550 YSA C/W 6C UJS)

SLIP ASSY

SA10.1 63MM SLIP 3.5X0.095" TUBE C/W DUST CAP 4.86-18"

SLEEVE YOKE

SL10.1 63MM SLIP 4-3-1241KX (USE WITH SS10.1) L=175MM
 SL10.2 111MM SLIP 4-3-2331KX (USE WITH SS10.2) L=267MM
 SL10.4 63MM SLIP H=150MM (USE WITH YS10.1)
 SL10.5 MOD-3-186 63MM SLIP H=150MM (USE WITH YS10.2) WIDE ANGLE
(LESS DUST CAP DC4.86-18)
 SL10.6 35MM SLIP H=136.5MM (45°)
 SL10.8 75MM SLIP4-3-2041X USE WITH SS10.5 (L=223.9MM)

SLIP STUB

SS10.1 63MM SLIP / 3.5X.095" TUBE 4-40-761 (USE WITH SL10.1) L=172MM
 (SAME AS SS11.2)
 SS10.2 111MM SLIP / 3.5X.095" TUBE 4-40-961 (USE WITH SL10.2) **GLIDECOTE** L=250MM
 SS10.3 63MM SLIP / 3.5X.095" TUBE 4-40-761 (USE WITH SL10.1) L=172MM **SPICER**
 GLIDECOTE
 SS10.5 75MM SLIP / 3.5X.134" / 88.9X3.4 TUBE (USE WITH SL10.8) **SPICER** GLIDECOTE

YOKE SHAFT

YS10.1 4-82-371 H=173MM (USE WITH SL10.4)
 YS10.2 MODIFIED FOR WIDE ANGLE MOD-82-201 H=170MM (USE WITH SL10.5)

BM REF #	COMMENTS / DESCRIPTION
1550	34.9 X 126.2MM UJ
YS10.4	4-82-201 H=122.2MM
YS10.5	YOKESHAFT 1550 MOD-82-072 H=173MM ---- REDUCED SPLINE LENGTH
WELCH PLUG	
WP4.68.143	WELCH PLUG
DUST CAP	
DC4.86-18	SPICER DUST CAP
FLANGE YOKE	
FY10.1	1510SAE 4-2-669 H=50.8MM
FY10.2	175MM 1610SAE 4-2-689 H=50.8MM
FY10.5	150X4X13MM 4-4-25 H=68MM
FY10.3	150X8X12 4-2-1069 H=80MM
FY10.6	120X4X11 4-2-35SI H=65MM
FY10.7	120X8X10 H=80MM
TUBE YOKE	
TY10.1	3.5X.095" TUBE 4-28-307 H=56MM
TY10.2	3.5X0.095" TUBE 4-28-417 35 DEG. H=68MM
TY10.3	TO SUIT 88.9X2.4MM
COMP FLANGE	
CF10.1	150X8X12 / 10 SPLINE 4-1-5151
CF10.2	12.7MM HOLES 1510SAE 4-1-5191
CF10.3	14MM HOLE / 1510SAE RENAULT
MID STUB	
MS10.1	3.5X.095" TUBE 10 SPLINE USE WITH EY10.1 4-53-341 H=106MM
MS10.2	MID STUB / 3.5X.095" TUBE 31 SPLINE CATERPILLAR USE WITH EY10.2 70-53-81
MS10.5	C.N.H. 27 SPL H=188MM 49.2MMØ USE WITH EY10.4(1550), EY13.4(1610) & BMCB287 NUT = 1501008160885
MID NUT	
MN231502	NUT TO SUIT MS10.1
END YOKE	
EY10.1	HALF ROUND END YOKE 4-40-6031-1 USE WITH MS10.1
EY10.2	END YOKE CATERPILLAR USE WITH MS10.2 4-4-7101-1M
EY10.4	ENDYOKE 1550 C.N.H. 27 SPL H=108.2MM USE WITH MS10.5
STRAP KIT	
3.70.38X	1480 / 1550 SPICER (CONSISTS OF 1 X STRAP 2 X BOLTS)
U'JOINT	
BM275	STANDARD 34.9X126.2MM ALTERNATIVE
BM161	ORIGINAL SPICER 34.9X126.2MM
BM173	34.9X126.2MM / 1550 / 6C MECHANICS COMBINATION 5-303X
CENTRE BRG	
BMCB01	STANDARD 45X194X27MM 6080-4501
BMCB01/1	SPICER STANDARD 45X194X27MM 210084-2X
BMCB105	PLUMMER BLOCK BEARING 61.8X188MM CATERPILLAR O.E. REF 6I-8531 USE WITH MS10.2 & EY10.2

BM REF #	COMMENTS / DESCRIPTION
1510	39.7 X 116MM UJ

SLIP ASSY

SA9.2 SLIP ASSY COMPLETE 1510 SAE COMRISING OF SL11.1, SS11.2 BM176/1 & FY9.1

SLEEVE YOKE

SL11.1 60MM SLIP STD / 5103.538 L=170MM (SAME AS SS10.1)

SLIP STUB

SS11.1 60MM SLIP / 3X.095W La.60MM

SS7.1 63MM SLIP / 3X.095" TUBE **HEAVY DUTY 1510 RILSAN SPLINE**
USE WITH SL7.1

SS11.2 60MM SLIP / 3.5X.095" TUBE 5142.1801 L=163MM

YOKE SHAFT

YS11.1 YOKE SHAFT RILSAN COATED 170MM O/A C/c 44MM SLIP

SHORT COUPLE

51KS-4 SHORT COUPLE YSA L=170MM UJ CTR CLOSED
(CAN BE REDUCED TO 145MM) SPLINE 55X2.5D.5480

51KS-5 SHORT COUPLE YSA L=272MM UJ CTR CLOSED
(CAN BE REDUCED TO 185MM) SPLINE 55X2.5D.5480

FLANGE YOKE

FY9.8 116X4X11.3MM STANDARD 1410 SAE

FY11.7 120X4X11MM H=73MM

FY9.3 120X8X10MM H=75MM

FY9.1 146X4X12.9MM STANDARD 1510 SAE / 5102.239 H=63.5MM

FY9.6 1510 150X8X12 H=90MM (30°)

TUBE YOKE

TY11.1 3.0X.095" TUBE 5126-477 H=71.5MM

TY11.2 3.5X.095" TUBE 5126-547 H=71.5MM

TY11.5 90X4MM (3.5X.0134W) TUBE

U'JOINT

BM803 1510 SERIES C/w LOOSE PLATES 39.69X115.95MM

BM176 **STANDARD** 1510SRS 39.7X116MM

BM176/1 1510 SERIES HEAVY DUTY **MATSUBA**

BM102 **HEAVY DUTY** 39.7X116MM

CENTRE BRG

BMCB17 STANDARD 40X168X27MM 5180-4001

BMCB17/1 1410 & 1480 / 45X168X27MM SPICER 212139-1X

BM REF #	COMMENTS / DESCRIPTION
1630	39.7 X 116MM UJ

SLIP ASSY

SA11.2 SLIP ASSY C/w 1610 SAE FLANGE 90X4MM Ø TUBE L=372.5MM La=110MM

FLANGE YOKE

FY11.7 120X4X11MM H=73MM 4-2-35

FY9.3 120X8X10 H=75MM

FY11.5 146X4X14MM 1510SAE H=63.5MM

FY11.2 150X8X12MM / 6302.019 H=80.5MM 6302-019

FY9.6 1510 150X8X12 H=90MM (30°)

FY11.1 175MM 1610SAE / 6302.009 H=80.5MM

SLEEVE

SL11.3 1610SRS STYLE 110MM SLIP 16 SPLINE USE WITH SS13.1 OR SS13.5

SLIP STUB

SS13.5 1610SRS STYLE 110MM SLIP 16 SPLINE 90X4MM TUBE USE WITH SL11.3

BM REF #	COMMENTS / DESCRIPTION
1630	39.7 X 116MM UJ

TUBE YOKE

TY11.5 90X4MM (3.5X.0134W) TUBE

COMP FLANGE

CF11.1 175MM 1610SAE TO SUIT 45MM CENTRE BRG BMCB22 / 6301.001
 CF11.2 150X8X12MM TO SUIT 45MM CENTRE BRG BMCB22 / 6301.011

MID STUB

MS11.2 TO SUIT 45MM CENTRE BRG BMCB22 / 90X4MM TUBE 6357.011

U'JOINT

BM102 39.7X116MM **HEAVY DUTY**
 BM176/1 39.7X116MM **MATSUBA HEAVY DUTY**

CENTRE BRG

BMCB22 45X194X19MM 6380-4501

BM REF #	COMMENTS / DESCRIPTION
1650	41.3 X 142.5MM UJ

SLEEVE ASSY

SA36.1 C/W 1650 / 7C MECHANICS FITTING 73MM SLIP / 3.5X0.134" TUBE

FIXED END

FE36.1 C/W 1650 / 7C MECHANICS FITTING / 3.5X.134" TUBE

U'JOINT

BM190 1650 / 7C HIGH WING CLEARANCE **5-330X**
 BM104 **STANDARD** 1650SRS 41.3X142.5MM **5-165X**

SHAFT ASSY

65Y-3 TEREX PROPSHAFT (PART No 15253142) L.354MM

BM REF #	COMMENTS / DESCRIPTION
1610	47.6 X 135MM UJ

SHAFT ASSY

61KS-1 DANA CATERPILLAR YSA 1710 SPLINE 380MM UJ CL W/o U-JOINTS
 61K-4 YSA @ 244MM COMPRESSED + 19MM SLIP

SLEEVE YOKE

SL13.6 1710SRS SPLINE FOR **CATERPILLAR** TO SUIT SS16.5 H=241MM
 SL13.7 SLEEVE 1610 SPICER La. 73MM 2"Øx16SPL H=198MM 5.3-108KX
 SL13.5 SLEEVE 1610 SPICER La.100MM 16 SPLINE 5-3-368X
 SL13.8 SLEEVE 1610 SPICER La.124MM H=275MM 5-3-2261KX

SLIP STUB

SS13.1 SLIPSTUB 1610 3.5X.120W" 112MM SLIP
 SS13.5 SPICER GLIDECOTE 3.5X.134W" (90X4MM) 110MM SLIP L=190MM 16 SPLINE
 SS13.4 SPICER SLIPSTUB 3.5X.134W" (90X4MM) 140MM SLIP (USE WITH SL13.2)
 5-40-1041
 SS13.8 SPICER SLIPSTUB 3.5X.134W" 73MM SLIP 5-40-1191
 SS16.5 1710 SPLINE 3.5X.134W" TO SUIT SL13.6 CATERPILLAR
 SS13.10 SLIPSTUB 3.5X.134W"La 124MM H=235MM 5-40-1011

DUST CAP

DC5.86-68 SPICER DUST CAP

FLANGE YOKE

FY13.1 STANDARD 1610SAE 6002-529 H=70MM
 FY13.3 SPICER STANDARD 1610SAE H=70MM
 FY13.5 150X8X12MM H=87MM 6002-569 H-87MM

BM REF #	COMMENTS / DESCRIPTION
1610	47.6 X 135MM UJ
TUBE YOKE	
TY13.1	SPICER TYPE 3.5X.134W" / 90X4MM
TY13.4	SPICER TYPE 101.6X3.4MM CATERPILLAR
MID STUB	
MS13.1	10 SPLINE / 3.5X.134MM OR 90X4MM TUBE USE WITH CF13.2 OR EY13.1
MS13.3	10 SPLINE / 3.5X.120MM TUBE USE WITH CF13.1
MS13.5	10 SPLINE / 3.5X.134MM TUBE USE WITH EY13.1 / CF13.2
MS13.6	46 INV. SPLINE / 3.5X.134MM TUBE USE WITH EY13.2 / BMCB102 CATERPILLAR
MS13.7	34 SPLINE / 3.5X.134" TUBE USE WITH EY13.3 & BMCB01 5-53-261
MS16.3	PUMP MID STUB 4" Ø SOLID BASE TAPERED 50MM Ø SHAFT C/W NUT & KEY USE WITH CF13.7
FIXINGS	
232374	WASHER CATERPILLAR USE WITH MS13.6
BOLT	BOLT CATERPILLAR USE WITH MS13.6
MN231502	MID NUT USE WITH MS13.1
END YOKE	
EY13.1	HALF ROUND FITTING 10 SPLINE 5-4-1721-1 USE WITH MS13.1 OR MS13.5
EY13.2	HALF ROUND FITTING 46 INV. SPLINE USE WITH MS13.6 / BMCB102
EY13.3	HALF ROUND FITTING / 34 SPLINE USE WITH MS13.7 & BMCB01 5-4-7171-1
EY13.4	HALF ROUND / 27 SPL. C.N.H. USE WITH MS10.5
COMP FLANGE	
CF13.1	175MM 1610SAE 10 SPLINE USE WITH MS13.3
CF13.2	175MM 1610SAE 10 SPLINE 5-1-6001 (USE WITH MS13.1)
CF13.7	175MM 1610SAE TAPERED 50MM DIA - USE WITH MS16.3
U'JOINT	
BM282	STANDARD GKN TYPE 47.6X135MM LOOSE PLATES HS316
BM118	1610 WELDED PLATES SPICER STYLE 5-279X
BM206	1610 SPICER ORIGINAL WELDED PLATES 5-279X
BM484	ALTERNATIVE SPICER TYPE 2 WELDED PLATES & 2 ROUND CAPS 5-438X
BM121	1610 SPICER ORIGINAL 2 WELDED PLATES & 2 ROUND CAPS 5-438X
STRAP KIT	
5-70-28X	STRAP & BOLT KIT
CENTRE BRG	
BMCB01	STANDARD 45X194X27MM 6080-4501
BMCB01/1	SPICER STANDARD 45X194X27MM 210084-2X
BMCB102	CAST 75X215MM TO SUIT MS13.6 CATERPILLAR

BM REF #	COMMENTS / DESCRIPTION
1710	49.2 X 154.7MM UJ
SLEEVE YOKE	
SL16.3	98MM SLIP / 16 SPLINE 6.3.2671KX L=244MM
SL16.3/1	98MM SLIP / 16 SPLINE 6.3.2671KX L=244MM SPICER ORIGINAL
SL16.4	133MM SLIP / 16 SPLINE 6-3-521 L=297MM 33 ° DEGREES
SL16.5	140MM SLIP / 16 SPLINE 6.3.3441KX L=323MM 45 ° DEGREES
SL16.6	19MM SLIP / 18 INVOLUTE SPLINE H=105MM SPICER (USE WITH YS16.5)
SL13.6	1710SRS SPLINE FOR CATERPILLAR (USE WITH SS16.5) H=241MM3

BM REF #	COMMENTS / DESCRIPTION
1710	49.2 X 154.7MM UJ
SLIP STUB	
SS16.3	98MM SLIP / 16 SPLINE 101.6X3.4MM TUBE RILSAN 6-40-541 / USE WITH SL16.3
SS16.4	133MM SLIP / 16 SPLINE 101.6X3.4MM TUBE RILSAN 6-40-521 / USE WITH SL16.4 & SL17.2
SS16.5	TO SUIT SL13.6 CATERPILLAR (SEE ALSO 1610SRS)
YOKE SHAFT	
YS16.3	16 SPLINE H=229MM / SPICER
YS16.4	16 SPLINE H= 245MM / SPICER
YS16.5	18 SPLINE H=133MM / SPICER (USE WITH SL16.6)
YS16.6	16 SPLINE H=271MM / SPICER
YS16.8	16 SPLINE H=271MM / SPICER
DUST CAP	
6.3.86.18	1710 & 1810 DUST CAP TO SUIT SL16.3 / SL16.4 / SL16.6 / SL17.1 / SL17.2
FLANGE YOKE	
FY16.18	150X4X13MM H=81MM
FY16.9	165X8X16MM H=98MM
FY16.11	180X8X14MM H=101.6MM
FY16.4	175MM 1610SAE H=98MM
FY16.19	1710SAE SPICER STANDARD H = 50.8MM 6-2-769
FY16.12	1710SAE SPICER STANDARD H = 76.2MM 6-2-749
FY16.1	1710SAE GKN STANDARD H=76MM 7002-319
FY16.2	1710SAE METRIC 10.1MM HOLES H=76MM
FY16.13	1810SAE SPICER 12X 11.1MM BOLT HOLES H=76.2MM
TUBE YOKE	
TY16.2	SPICER TYPE 101.6X3.4MM TUBE 35 ° DEGREES
TY16.3	ALT TYPE 101.6X3.4MM TUBE 27 ° DEGREES H=77MM 6.2.347
TY16.3/1	SPICER TYPE 101.6X3.4MM TUBE 27 ° DEGREES
MID STUB	
MS16.2	38 INVOLUTE SPLINE 101.6X3.4MM TUBE USE WITH CF16.2/EY16.1 & BMCB27 (50MM Ø)
MS17.1	16 SPLINE 103.9X4.6MM TUBE USE WITH EY16.2 & BMCB42 (60MM Ø)
MS17.2	46 INVOLUTE SPLINE 103.9X4.6MM TUBE USE WITH EY17.4 L=135MM 6.3.53.21
MS16.3	PUMP MID STUB 4" Ø SOLID BASE TAPERED 50MM Ø SHAFT C/W NUT & KEY
FIXINGS	
230123-6	WASHER 1710HD / 1760 / 1810 SPICER
MN20.74.91	MID NUT 1710HD / 1760 / 1810 SPICER
MN231502	NUT TO SUIT MS16.2
END YOKE	
EY16.1	38 INVOLUTE SPLINE USE WITH MS16.2 6.4.7141.1
EY16.2	16 SPLINE (HEAVY DUTY) USE WITH MS17.1
EY16.4	46 SPLINE 6.4.7481.1 USE WITH MS17.2
COMP FLANGE	
CF16.2	203MM 1710SAE 38 INVOLUTE SPLINE USE WITH MS16.2
CF16.3	203MM 1710SAE TAPERED 50MM DIA - USE WITH MS16.3
U'JOINT	
BM318	49.2X154.7MM / GKN STYLE LOOSE PLATES HS317
BM281	49.2X154.7 1710 SPICER STYLE WELDED PLATES ALTERNATIVE TO BM280 5-281X
BM280	49.2X154.7 1710 SPICER ORIGINAL WELDED PLATES 5-281X
BM280A	1710 WELDED PLATES NEAPCO QSP SPICER STYLE 5-280X

BM REF #	COMMENTS / DESCRIPTION
1710	49.2 X 154.7MM UJ
BM05	49.2X154.7MM 1710 HALF ROUND 5-515X SPICER
BM05A	49.2X154.7MM 1710 HALF ROUND 5-515X NEAPCO QSP
BM428	49.2X154.7MM HALF ROUND 5-515X ALTERNATIVE
BM565	49.2X154.7 LOOSE PLATES / 68X129MM MECHANICS ON OPPOSITE SPAN
BM204	8.5C / 1710 SRS 2 X HIGH WING DRILLED 49.2X154.7 / 71.4X123.8MM
STRAP KIT	
6.5-70-18X	STRAP & BOLT KIT
CENTRE BRG	
BMCB42A	60X219X36MM - ALTERNATIVE
BMCB42	60X219X36MM - 8080-6001
BMCB27	50X194X30MM 7080-5001
BMCB27/1	50X194MM 210121-1XE SPICER
SHORT COUPLE	
BMPS60	SHORT COUPLE 1710SAE AT 295MM FFC (TO SUIT LEYLAND TIGER WITH TELMA)
71K-3	SHORT COUPLE 1710SAE AT 270MM FFC + 19MM SLIP
BM REF #	COMMENTS / DESCRIPTION
1760	49.2 X 177.8MM UJ
SLEEVE YOKE	
SL17.1	98MM SLIP USE WITH SS16.3 L=235MM 6.3-3-41KX
SL17.2	133MM SLIP USE WITH SS16.4 6.3-3-21KX
SLIP STUB	
SS16.3	98MM SLIP / 103.9X4.6MM TUBE 6-40-541 USE WITH SL17.1
SS16.4	133MM SLIP / 16 SPLINE 101.6X3.4MM TUBE RILSAN 6-40-521 / USE WITH SL16.4 & SL17.2
DUST CAP	
6.3.86.18	1710 & 1810 DUST CAP TO SUIT SL16.3 / SL16.4 / SL16.6 / SL17.1 / SL17.2
FLANGE YOKE	
FY17.1	203MM 1810SAE 6-3-2-19 H=86MM
FY17.2	180X4X15MM 6-3-2-15 **LIMITED STOCK AVAILABLE**
TUBE YOKE	
TY17.1	TUBE YOKE / 103.9X4.6MM TUBE 6-3-28-17 H=77MM
MID STUB	
MS17.1	16 SPLINE 103.9X4.6MM TUBE USE WITH BMCB42 , EY17.1 & CF17.1 L=135MM 6-53-311"
MS17.2	46 INVOLUTE SPLINE 103.9X4.6MM TUBE USE WITH EY17.4 L=135MM 6.3.53.21
MS16.2	MID STUB 38 SPLINE INVOLUTE 103.9X4.6MM TUBE USE WITH BMCB42 6-53-411
FIXINGS	
230123-6	WASHER 1710HD / 1760 / 1810 SPICER
MN20.74.91	MID NUT 1710HD / 1760 / 1810 SPICER
END YOKE	
EY17.1	END YOKE 16 SPLINE USE WITH MS17.1 6-3-4-161-1 L=140MM
EY17.4	END YOKE 46 INVOLUTE SPLINE USE WITH MS17.2 6-3-4-821-1
EY17.7	DIFF YOKE 46 SPLINE - 6.3-4-891-1X - FODEN REF #4300097100
EY17.9	DIFF YOKE FODEN REF - #TD63415711X
EY17.11	DIFF YOKE FODEN REF - HUB DIA 82.6MM - SPLINE DIA. 60.3MM X 46 O/A = 137.9MM

BM REF #	COMMENTS / DESCRIPTION
1760	49.2 X 177.8MM UJ

COMP FLANGE

CF17.1 203MM 1810SAE 16 SPLINE USE WITH MS17.1

U'JOINT

BM128 49.2X177.8MM ORIGINAL **5-469X HALF ROUND**

BM470 49.2X177.8MM ALTERNATIVE TO BM128 **5-469X HALF ROUND**

BM129 49.2X177.8MM 1760 ORIGINAL SPICER WELDED PLATES STYLE **5-407X.**

FULL ROUND

BM129A 49.2X177.8MM 1760 ALTERNATIVE TO BM129 **5-407X FULL ROUND**

STRAP KIT

6.5-70-18X STRAP & BOLT KIT

CENTRE BRG

BMCB42A 60X219X36MM - ALTERNATIVE

BMCB42 60X219X36MM - 8080-6001

BM REF #	COMMENTS / DESCRIPTION
1810	49.3 X 191.8MM UJ WELDED PLATE STYLE - DANA SPICER TYPE

SHAFT ASSY

81KS-1 YSA @ 210MM UJ CL CLOSED OPEN JOINT C/w BM333 U-JOINTS

SLIP ASSY

SA18.9 SLIP ASSY COMPRISING - SLIP STUB (SS18.1) & SLEEVE (SL18.4) & BM130 U/JOINT

127MM SLIP MOVEMENT TO SUIT 114.3X6.6MM Ø TUBE

SLEEVE YOKE

SL18.4 127MM SLIP **6.5-3.1371** H=302MM 30° (USE WITH SS18.1)

SL18.5 85MM SLIP **6.5-3-1351KX** H=260MM 30° (USE WITH SS18.2)

SL18.6 86MM SLIP **6.5-3-1431KX** H=227MM 30°

SL18.8 **6.5-3-1451KX** H=136.5MM 18XSPL 12° - USE WITH YS18.4

SLIP STUB

SS18.1 127MM SLIP **80-40-101** 114.3X6.6MM TUBE (USE WITH SL18.1) L=294MM

SS18.2 85MM SLIP **8-40-91** 114.3X6.6MM TUBE (USE WITH SL18.2) L=251MM

YOKE SHAFT

YS18.4 **6.5-82-511-1** 18 SPLINE H=170MM 12° - USE WITH SL18.8

FLANGE YOKE

FY18.1 1810 SAE STANDARD 203X12X11.1MM PCD=184.15 MS=196.85 H=85.5MM 6.5-2-329

FY18.3 180X4X15MM PCD=180MM H=85MM 6-5-2-15

FY18.5 1810 SAE 203X12X11.1MM PCD=184.15MM MS=196.85 H=65.8MM 12° ANGLE 6.5-2-359

TUBE YOKE

TY18.1 TO SUIT 114.3X6.6MM TUBE 6.5-28-127

MID STUB

MS18.1 46 SPLINE 114.3X6.6MM TUBE. 6-5-53-181 USE WITH EY18.1 L=135MM

MS18.2 16 SPLINE 114.3X6.6MM TUBE. 6-5-53-51 USE WITH EY18.2 L=135MM

END YOKE

EY18.1 46 SPLINE 6-5-4-3591-1 USE WITH MS18.1 H=86MM - **SPICER**

EY18.2 16 SPLINE 6.5-4-1891-1 USE WITH MS18.2 H=86MM

FIXINGS

230123-6 WASHER 1710HD / 1760 / 1810

MN20.74.91 MID NUT 1710HD / 1760 / 1810

BM REF #	COMMENTS / DESCRIPTION
1810	49.3 X 191.8MM UJ WELDED PLATE STYLE - DANA SPICER TYPE

CENTRE BRG

BMCB42A 60X219X36MM - ALTERNATIVE
 BMCB42 60X219X36MM - 8080-6001

U'JOINT

BM333A **HALF ROUND** 49.3X191.8MM / 5-510X ALTERNATIVE
 BM333 **HALF ROUND** 49.3X191.8MM / 5-510X **OE SPICER**
 BM130A **FULL ROUND** 1810 ALTERNATIVE TO BM130 HS344 / **5-281X**
 BM130 **FULL ROUND** 1810 WELDED PLATES SPICER HS344 / **5-281X**

STRAP KIT

6.5-70-18X STRAP & BOLT KIT

BM REF #	COMMENTS / DESCRIPTION
1800	59 X 167.5MM UJ LOOSE PLATE STYLE - GKN HARDY SPICER TYPE

SLIP STUB

SS18.3 SLIP STUB 10 SPLINE / 87MM SLIP / 110X6MM TUBE

SLEEVE YOKE

SL18.3 SLEEVE 10 SPLINE / USE WITH SS18.3 L=322MM

TUBE YOKE

TY18.3 TO SUIT 110X6MM TUBE

FLANGE YOKE

FY18.2 203MM 1810SAE H=86MM

MID STUB

MS18.3 22 SPLINES 110X6MM TUBE USE WITH CF18.1 & BMCB43

COMP FLANGE

CF18.1 22 SPLINE 1810SAE (USE WITH MS18.3 & BMCB43) - NOW OBSOLETE

U'JOINT

BM146 59X167.5MM LOOSE PLATE GKN STYLE **HS324**

CENTRE BRG

BMCB43 60X219X22MM
 BMCB49 70X220MM 20MM BRG WIDTH

BM REF #	COMMENTS / DESCRIPTION
1880	55.6 X 205.6MM UJ WELDED PLATE STYLE

SLEEVE YOKE

SL67.1 SLEEVE 1880 SPICER 89MM SLIP L=255MM 8-3-391KX

SLIP STUB

SS18.2 114.3X6.6MM TUBE

U'JOINT

BM138 SPICER 1880 SRS 55.6X205.6MM WELDED PLATE
 BM184 55.6X205.6MM / 1880 & 9C MECHANICS HWD COMBINATION

FLANGE YOKE

FY67.2 FLANGE 1880 SPICER 241X8X16MM 8-2-109

TUBE YOKE

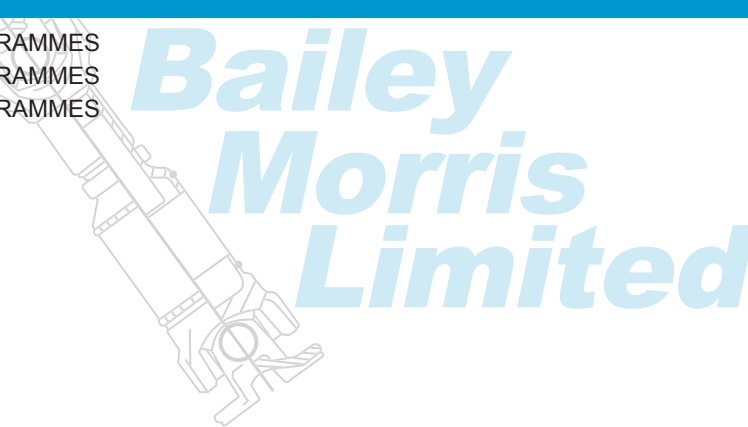
TY67.1 SPICER 1880 114.3X6.6MM TUBE H=102MM

BM REF #	COMMENTS / DESCRIPTION
----------	------------------------

SEMI FINISHED WELDED ONE END PROPSHAFTS	
14AS-8	1140 SRS WELDED @ FIXED JOINT END 2" Ø TUBE LENGTH 1000MM
14AS-9	1140 SRS WELDED @ FIXED JOINT END 2" Ø TUBE LENGTH 1500MM
30AS-4	1300 SRS WELDED @ FIXED JOINT END 2"Ø TUBE LENGTH 1000MM
31AS-4	1310 SRS PROPSHAFT WELDED @ FIXED JOINT END 2"Ø TUBE LENGTH 1000MM
31AS-4/1	1310 SRS PROPSHAFT WELDED @ FIXED JOINT END 2"Ø TUBE LENGTH 1200MM
31AS-9A	1310 H.D. WELDED @ SLIP END C/w 287.10 SRS COMPACT SPLINES 50X3MM Ø TUBE 1000MM 30° WIDE ANGLE
41AS-3	1410 SRS PROPSHAFT WELDED @ FIXED JOINT END 3" Ø TUBE LENGTH 1200MM
41AS-9	1410 SRS PROPSHAFT WELDED @ FIXED JOINT 3X.095" Ø TUBE LENGTH 1200MM (41AS-9 INCLUDES RILSAN SPLINED STUB + HEAVY DUTY UNIVERSAL JOINTS)
41AS-12	1410 SRS PROPSHAFT WELDED @ FIXED JOINT 3X.095" Ø TUBE LENGTH 1500MM
48AS-2	1480 SRS PROPSHAFT 120X8X10MM WELDED @ FIXED JOINT 3X.095" +L=2000MM

BM REF #	COMMENTS / DESCRIPTION
----------	------------------------

BALANCE WEIGHTS	
30003300124	12 GRAMMES
30003300127	18 GRAMMES
30003300130	24 GRAMMES



BM REF #	COMMENTS / DESCRIPTION
CIRCLIPS	
1140 SRS	
1407-019/9	CIRCLIP 23.8X1.385 - 1.435MM
1407-019/1	CIRCLIP 23.8X1.45 - 1.51MM
1407-019/3	CIRCLIP 23.8X1.58 - 1.63MM
1407-019/4	CIRCLIP 23.8X1.44 - 1.49MM
1407-019/5	CIRCLIP 23.8X1.48 - 1.53MM
1407-019/10	CIRCLIP 23.8X1.61 - 1.66MM
1407-019/7	CIRCLIP 23.8X1.54 - 1.59MM
1300/1310 SRS	
3107-019/14	CIRCLIP 27X1.14 - 1.2MM
3107-019/1	CIRCLIP 27X1.346 - 1.372MM
3107-019/2	CIRCLIP 27X1.372 - 1.398MM
3107-019/5	CIRCLIP 27X1.45 - 1.47MM
3107-019/3	CIRCLIP 27X1.397 - 1.423MM
3107-019/4	CIRCLIP 27X1.422 - 1.448MM
3107-019/6	CIRCLIP 27X1.473 - 1.499MM
3107-019/7	CIRCLIP 27X1.499 - 1.525MM
3107-019/8	CIRCLIP 27X1.524 - 1.550MM
3107-019/9	CIRCLIP 27X1.549 - 1.575MM
3107-019/10	CIRCLIP 27X1.575 - 1.1601MM
3107-019/11	CIRCLIP 27X1.633 - 1.689MM
3107-019/13	CIRCLIP 27X1.7 to 1.75MM
1410 SRS	
4107-019/12	CIRCLIP 30.2X1.21 - 1.26MM
4107-019/6	CIRCLIP 30.2X1.64 - 1.69MM
4107-019/9	CIRCLIP 30.2X1.56 - 1.61MM
4107-019/1	CIRCLIP 30.2X1.33 - 1.38MM
4107-019/2	CIRCLIP 30.2X1.39 - 1.44MM
4107-019/3	CIRCLIP 30.2X1.40 - 1.46MM
4107-019/4	CIRCLIP 30.2X1.49 - 1.53MM
4107-019/5	CIRCLIP 30.2X1.46 - 1.51MM
4107-019/7	CIRCLIP 30.2X1.51 - 1.56MM
4107-019/8	CIRCLIP 30.2X1.54 - 1.57MM
1510 /1630 SRS	
5107-039/1	CIRCLIP 39.7X1.778MM
5107-039/2	CIRCLIP 39.7X1.753MM
5107-039/3	CIRCLIP 39.7X1.727MM
5107-039/4	CIRCLIP 39.7X1.803MM
5107-039/5	CIRCLIP 39.7X1.829MM
5107-039/6	CIRCLIP 39.7X1.854MM
5107-039/7	CIRCLIP 39.7X1.880MM
5107-039/8	CIRCLIP 39.7X1.980MM

SPL SPICER STYLE COMPONENTS



BM REF #	COMMENTS / DESCRIPTION
SPL41	30.2X106.3MM UJ
YOKE SHAFT ASSY	
SA92.2	YOKE SHAFT, SLEEVE, & RUBBER BOOT KIT 76.2X2.1MM TUBE LESS UJ
TUBE YOKE	
TY6.5	TO SUIT 76.2X2.1MM TUBE
FLANGE YOKE	
FY6.3	120X4X11MM H=57MM
FY6.8	120X8X10MM H=64MM
FY6.5	120X8X10MM H=55MM
MID STUB	
MS6.5	10 SPLINE 3X.082" TUBE
END YOKE	
EY6.1	END YOKE 10 SPLINE 3-4-11831-1
CENTRE BRG	
BMCB17	40X168X27MM
BMCB17/1	1410 & 1480 / 45X168X27MM SPICER 212139-1X
U'JOINT	
BM802	**NEAPCO GOLD LINE** (SFL)
BM211	SPL41 SPICER (SFL) TRIPLE LIP SEAL 5-641X ORIGINAL SPICER
TUBE	
TUBE76.2X2.1	3.00X0.082" 76.2X2.1MM TUBE
SPL55	34.9 X 106.4MM UJ
YOKE SHAFT ASSY	
SA64.2	110MM SLIP / 88.9X2.1MM TUBE & BM441 SFL
FLANGE YOKE	
FY64.1	SEE 1480 OR 2030 SRS
FY64.3	PLEASE USE FY26.10 OR FY26.6 - SECTION # 4
FY64.2	PLEASE USE FY26.2 OR FY7.3 - SEE SECTIONS # 4 & 13
FY64.4	PLEASE USE FY26.9 - SEE SECTION # 4
FY64.4	PLEASE USE FY7.1 OR FY26.8 - SEE SECTIONS # 4 & 13
TUBE YOKE	
TY64.1	PLEASE USE TY7.1, TY26.1 OR TY26.3 - SEE SECTIONS 4 & 13
END YOKE	
EY64.1	NOW USE EY7.1 - SEE SECTION # 13
STRAP KIT	
3.70.38X	1480 / 1550 SPICER (CONSISTS OF 1 X STRAP 2 X BOLTS)
MID STUB	
MS64.1	NOW USE MS7.2 - SEE SECTION # 13

BM REF #	COMMENTS / DESCRIPTION
SPL55	34.9 X 106.4MM UJ

MID NUT

MN16.74.101 MID NUT TO SUIT MS64.1

U'JOINT

BM440 LUBE SPL55-1X
 BM441 NON LUBE SPL55X SFL
 BM263 1480 **STANDARD**

CENTRE BRG

BMCB17 40X168X27MM
 BMCB17/1 1410 & 1480 / 45X168X27MM SPICER 212139-1X

TUBE

TUBE88.9X2.1 3.50X.082" (88.9X2.1MM)

BM REF #	COMMENTS / DESCRIPTION
SPL70	34.9X126.2MM

YOKE SHAFT ASSY

SA90.1 110MM SLIP / 88.9X2.41MM TUBE & BM250 JOINT

GAITOR ASSY

70-13-19 RUBBER GAITOR C/W CLIP 231438-24

FLANGE YOKE

FY10.6 120X4X11MM 4-2-35SI H=65MM
 FY10.5 150X4X13MM 4-4-25 H=68MM

TUBE YOKE

TY10.1 3.5X.095" (88.9X2.4MM) TUBE 4-28-307 H=56MM
 TY10.3 3.5X.095" (88.9X2.4MM) TUBE H=56MM

END YOKE

EY10.1 END YOKE 10 SPLINE

MID STUB

MS10.1 10 SPLINE 88.9X2.41MM TUBE

MID NUT

MN231502 NUT TO SUIT MS10.1

CENTRE BRG

BMCB01 45X194X27MM
 BMCB01/1 SPICER STANDARD 45X194X27MM 210084-2X

U'JOINT

BM250 **SPL70X** SFL 34.9X126.2MM
 BM275 **STANDARD** 1550 34.9X126.2MM
 BM354 **6C** 2 X HIGH WING DRILLED 42.9X114.3MM **SPL70 / 6C SPICER**
 BM554 **SPL70-1X** LUBE TYPE 34.9X126.2MM

TUBE

TUBE350X095 3.50X0.095" (88.9X2.4MM)

PROPSHAFT

BMPS78 DENNIS DART SPL70 / 6C HWD SHAFT @ 261MM OVER FACES
 BMPS80 DENNIS DART SLF 659166 Lz=545MM
 BMPS92 DENNIS DART SPL70 @ 505MM OVER FACES

BM REF #	COMMENTS / DESCRIPTION
SPL90/SPL100	41.3 X 126.2MM UJ

SLIP ASSY

SA12.1 SLIP JOINT ASSY, STUB, SLEEVE & U/JOINT

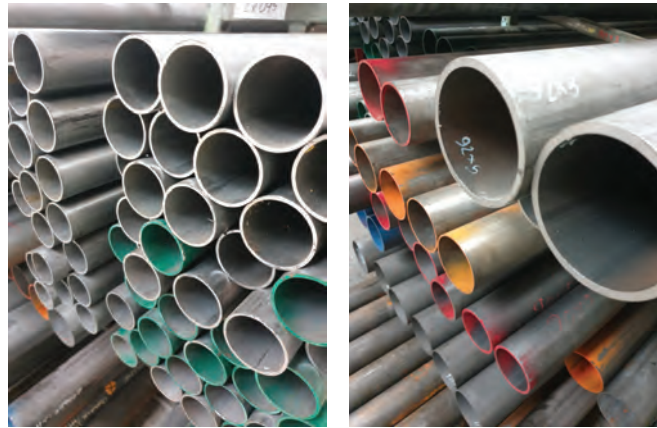
SLEEVE YOKE

SL12.1 SLEEVE 110MM SLIP L=256MM

BM REF #	COMMENTS / DESCRIPTION
SPL90/SPL100	41.3 X 126.2MM UJ
SLIP STUB	
SS12.1	101.6X3.4MM TUBE 110MM SLIP
FLANGE YOKE	
FY12.4	120X4X11MM H=70MM 4-2-35
FY12.5	120X8X10 H=83.3MM (25°)
FY12.1	150X8X12MM H=83.3MM
FY12.3	150X4X13MM H=75MM 4-2-25
FY12.2	1610SAE H=83.3MM
TUBE YOKE	
TY12.1	TO SUIT 103.9X4.6MM TUBE 90-28-27 H=75MM
END YOKE	
EY12.1	34 INVOLUTE SPLINE USE WITH MS12.1
MID STUB	
MS12.1	34 INVOLUTE SPLINE 101.6X3.4MM TUBE USE WITH EY12.1 L=107MM
STRAP KIT	
90-70-28X	SPL90 (CONSISTS OF 1 X STRAP 2 X BOLTS)
MID NUT	
MN231502	NUT TO SUIT MS12.1
U'JOINT	
BM103	LUBE SPL90 (GENUINE SPICER)
BM103A	LUBE SPL90 ALTERNATIVE
BM386	NON LUBE SPL90/100 (GENUINE SPICER) SFL
CENTRE BRG	
BMCB01	45X194X27MM
BMCB01/1	SPICER STANDARD 45X194X27MM 210084-2X
TUBE	
TUBE101.6X3.4	101.6X3.4MM
BM REF #	COMMENTS / DESCRIPTION
SPL140	49.2X139MM UJ ** LIMITED STOCK AVAILABLE**
FLANGE YOKE	
FY78.1	150X4X13MM H=79MM **LIMITED STOCK**
FY78.2	180X4X15MM H=82MM **LIMITED STOCK**
COMP FLANGE	
CF78.1	150X4X13MM 30 SPLINE TO SUIT MS78.1
MID STUB	
MS78.3	30 SPLINE 2040/SPL140 120X3MM TUBE (USE WITH CF78.1 & CF78.2)
MID NUT	
MN76.1	NUT TO SUIT SPL140, 170 & 250 MID STUBS
U'JOINT	
BM251	49.2X139MM CENTRE LUBE C/W FITTINGS
RETAINER	
211941X	(CONSISTS OF 1 X PLATE & 2 X BOLTS)
140-70-18X	STRAPKIT SPL140 SPICER
CENTRE BRG	
BMCB27	50X194X30MM 7080-5001
BMCB27/1	50X194MM 210121-1XE SPICER
BMCB82	50X194X30MM SOLID RUBBER
TUBE	
TUBE115.75X4.11	TUBE 115.75X4.11MM

BM REF #	COMMENTS / DESCRIPTION
SPL170	55X164MM UJ **LIMITED STOCK AVAILABLE**
TUBE YOKE	
TY76.1	TO SUIT 128.5X4.25MM (OR 130X5MM) TUBE 170.28.17
COMP FLANGE	
CF76.1	180X4X15 46 SPLINE 70MM SPLINE DEPTH TO SUIT MS76.1
MID STUB	
MS76.1	46 SPLINE 70MM SPLINE DEPTH TO SUIT CF76.1 (128.5X4.2MM)
MS76.3	46 SPLINE 56MM SPLINE DEPTH TO SUIT CF76.3 (128.5X4.2MM)
MID NUT	
MN76.1	NUT TO SUIT SPL140, 170 & 250 MID STUBS
U'JOINT	
BM266	55X164MM / CENTRE LUBE C/W SUNDRIES PREMIUM
BM266A	55X164MM / CENTRE LUBE C/W SUNDRIES ALTERNATIVE
RETAINER	
211941X	(CONSISTS OF 1 X PLATE & 2 X BOLTS)
CENTRE BRG	
BMCB42A	60X219X36MM - ALTERNATIVE
BMCB42	60X219X36MM SLOTTED RUBBER
BMCB79	60X200X35.5MM SLOTTED RUBBER - RENAULT
BM REF #	COMMENTS / DESCRIPTION
SPL250	60X163MM UJ **LIMITED STOCK **
SLIP ASSY	
SA77.1	110MM SLIP TO SUIT 130X5MM TUBE LESS UJ & FLANGE
SA77.2	180MM SLIP TO SUIT 130X5MM TUBE LESS UJ & FLANGE
FLANGE YOKE	
FY77.1	180X4X15MM H=91MM
FY77.2	1810SAE H=89MM
TUBE YOKE	
TY77.1	TO SUIT 130X5MM TUBE
COMP FLANGE	
CF76.1	180X4X15 46 SPLINE 70MM SPLINE DEPTH TO SUIT MS76.1
MID STUB	
MS76.1	46 SPLINE 70MM SPLINE DEPTH TO SUIT CF76.1 (130X5MM)
MS59.4	46 SPLINE H=163MM TO SUIT CF76.1 & BMCB79 OR BMCB42 (120X6MM) RENAULT
MID NUT	
MN76.1	NUT TO SUIT SPL140, 170 & 250 MID STUBS
U'JOINT	
BM267	60X163MM / CENTRE LUBE C/W SUNDRIES - ORIGINAL SPICER
BM267A	60X163MM / CENTRE LUBE C/W SUNDRIES - ALTERNATIVE
RETAINER	
211941X	(CONSISTS OF 1 X PLATE & 2 X BOLTS)
CENTRE BRG	
BMCB42A	60X219X36MM - ALTERNATIVE (SEE PIC # 27)
BMCB42	60X219X36MM SLOTTED RUBBER (SEE PIC # 27)
BMCB208	60X219X36MM VOLVO & RENAULT KERAX H=84.6MM
BMCB79	60X200X35.5MM SLOTTED RUBBER - RENAULT (SEE PIC # 76)
TUBE	
TUBE130X5	TUBE 130X5MM

PROPSHAFT TUBING



TUBES ARE USUALLY SUPPLIED AS RANDOM LENGTHS OF EITHER 4200MM OR 6000MM
 RANDOM LENGTHS MAY VARY BY +/- 300MM
 OUR STANDARD CUTTING CHARGE WILL BE 5% OF TUBE VALUE OR MINIMUM £2.00

PRICES BELOW ARE PER METRE - BUT PLEASE NOTE THAT 10% DISCOUNT WILL APPLY
 & QTY 1 OFF CUTTING CHARGE WILL ONLY BE WAIVED FOR COMPLETE RANDOM LENGTHS
 PURCHASED .

METRIC BM REF #	O. D. Ø D M/M D	WALL E M/M E	COMMENTS / DESCRIPTION
TUBE28X1.5	28	1.5	ELBE 0.105 & GWB 473.10 SRS
TUBE32X1.5	32	1.5	ELBE 0.106 SRS
TUBE38X2.5	38	2.5	473.20 SRS
TUBE40X2	40	2	ELBE 0.107 & GWB 473.30 SRS
TUBE50X2	50	2	ELBE 0.109 SRS
TUBE50X3	50	3	ELBE 0.110, GWB 28710 SRS & 4C
TUBE52X3.5	52	3.5	GWB 2015 SRS
TUBE52X4	52	4	KLEIN 125 SRS
TUBE60X2	60	2	MISC
TUBE60X3	60	3	GWB 287.10 SRS & 3C
TUBE60X4	60	4	ELBE 0.112 & 5C
TUBE250X095W	63.5	2.4	1310 / 2015 SRS 2.5X.095"
TUBE65X1.6	65	1.6	TOYOTA HILUX (SOLD IN 48" LENGTHS)
TUBE63X2.11	63	2.11	IVECO DAILY
TUBE200X064W	63.5	2.1	SPICER 20-30-22
TUBE66.6X2.41	66.6	2.41	TOYOTA HILUX - AVAILABLE IN 58" LENGTHS
TUBE70X2	70	2	MERCEDES SPRINTER
TUBE70X3	70	3	GWB 287.20 SRS
TUBE70X4	70	4	ELBE 0.113 & 6C
TUBE76.2X2.1	76.2	2.1	SPL41 76.2X2.1MM (3.00X.082")
T80X2	80	2	FERRARI
310.000.93419	80	3.5	KLEIN 253 & GWB 587.15 SRS
TUBE80X4	80	4	ELBE 0.148 & 7C

METRIC BM REF #	O. D. Ø D M/M D	WALL E M/M E	COMMENTS / DESCRIPTION
TUBE80X5	80	5	MISC
TUBE84X1.7	84	1.7	FORD TRANSIT
TUBE85X4	85	4	NORDISKA NK300 SRS
310.000.93421	85	5	KLEIN 375 & GWB 587.20 SRS
310.000.93422	88	4.5	KLEIN
TUBE88.9X3.4	88.9	3.4	SPICER 1610 (3.5X0.134")
TUBE90X3S	90	3	GWB 2030 SRS
TUBE90X3.5	90	3.5	1630 SRS
TUBE90X4	90	4	0.158 ELBE, KEMPF 75SRS & 8C
TUBE90X5	90	5	SCANIA P300
310.000.93427	90	5.5	KLEIN 495 & GWB 587.30 SRS & P300
TUBE91.8X5	91.8	5	ORIGINAL MERCEDES
TUBE92X5	92	5	CAN REPLACE 91X4.5MM
TUBE95X5	95	5	SCANIA P400
310.000.93535	98	2	KLEIN 196 SRS - MAN & IVECO
TUBE100X3	100	3	GWB 2035 SRS
TUBE100X4.5	100	4.5	KLEIN 490 & GWB 2040 SRS
TUBE100X5	100	5	ELBE 0.117 & GWB 286.37 SRS
310.000.93431	100	6	NORDISKA NK500, 8.5C & 587.35 SRS
TUBE101.6X1.7	101.6	1.7	IVECO DAILY
TUBE101.6X1.9	101.6	1.9	FORD TRANSIT 4.00"X.074"
TUBE400X.082W	101.6	2.11	4.00"X0.082" SOLD IN 72" LENGTHS
TUBE101.6X3.4	101.6MM (4.1")	3.4MM (.134")	1710 SRS / SPL100
TUBE103.9X4.6	103.9	4.6	1710 H.D & 1760 SRS
TUBE108X5.5	108	5.5	SCANIA P500 SRS
TUBE110X6	110	6	9C & KLEIN 650 & GWB 587.42 SRS
TUBE114.3X5.5	114.3	5.5	NORDISKA NK600 & P600 SCANIA
TUBE114.3X6.6	114.3	6.6	1810 HD / 1880
TUBE115.75X4.11	114.3	4.11	SPL140
310.000.93562	120	3	KLEIN 490 & GWB 2040 SRS DAF, IVECO, MAN
310.000.93568	120	4	KLEIN 590 & GWB 2045 SRS DAF, IVECO, MAN
TUBE120X5	120	5	KLEIN 590A & GWB 2047/2050 SRS DAF, RVI
310.000.93458	120	6	KLEIN 620 & GWB 2055 SRS DAF IVECO MAN
TUBE130X5	130	5	286.33, 286.37, SPL170 & SPL250 SRS
TUBE130X6	130	6	GWB 2060 SRS
310.000.93485	140	5	KLEIN 700 & GWB 587.48 & 2065 SRS
TUBE140X10	140	10	12.5C MECHANICS
TUBE142X6	142	6	GWB 2065
TUBE144X7	144	7	GWB 587.50 SRS
310.000.93594	150	5	KLEIN 700SRS (SOLD AS 2000MM LENGTH)
TUBE165.1X8.6	165.1	8.6	J800 / 15C MECHANICS
TUBE167.7X9.8	167.7	9.8	GWB 587.60 SRS
TUBE168.7X7.3	168.7	7.3	GWB 587.55SRS
TUBE180X4	180	4	2065 / 687.60 SRS VOLVO

IMPERIAL BM REF #	"O. D. Ø INCHES" D	"WALL INCHES" E	COMMENTS / DESCRIPTION
TUBE200X064W	2	0.064	1140 & 1300 SRS
TUBE200X095W	2	0.095	1300 & 1310 SRS
TUBE250X064W	2.5	0.064	1140 & 1300 & 1310 SRS
TUBE250X095W	2.5	0.095	1410 SRS
TUBE275X064W	2.75	0.064	1140 & 1300 & 1310 SRS
TUBE300X064W	3	0.064	1140 & 1300 & 1310 SRS
TUBE76.2X2.1	3	0.082	SPL41 76.2X2.1MM
TUBE300X095W	3	0.095	1410 & 1510 SRS
TUBE350X064W	3.5	0.064	1140, 1300 & 1310
TUBE88.9X2.1	3.5 (88.9MM)	0.082 (2.1MM)	SPL55 88.9X2.1MM
TUBE350X095W	3.5	0.095	1310 & 1410 & 1510 SRS
TUBE400X.082W	101.6	2.1	4.00"X0.082" SOLD IN 72" LENGTHS
TUBE101.6X3.4	4" (101.6MM)	.134" (3.4MM)	1710 SRS / SPL100
TUBE114.3X6.6	114.3MM (4.5X.26")	6.6MM (0.26")	1810HD/1880 SRS
TUBE115.75X4.11	115.75	4.11	SPL140

THE PRICES ABOVE ARE PER METRE - PLEASE NOTE THAT 10% DISCOUNT WILL APPLY & QTY 1 OFF CUTTING CHARGE WILL BE WAIVED FOR COMPLETE RANDOM LENGTHS

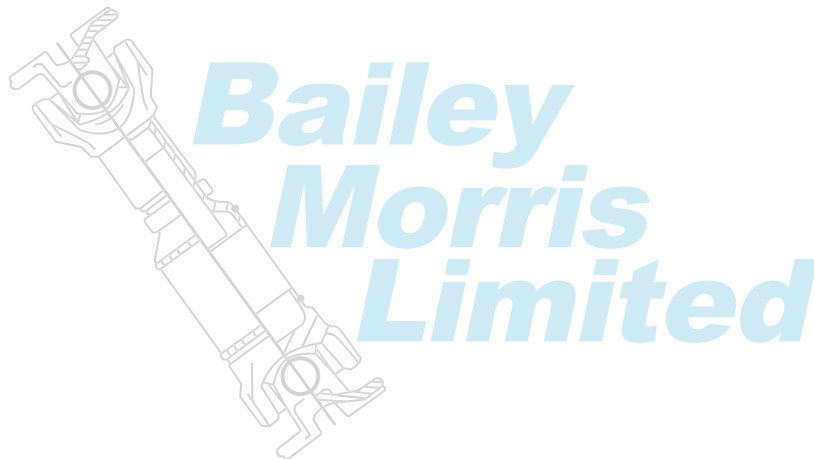
RESILIENT TUBE IN TUBE

IMPERIAL	MAJOR Ø"	MINOR Ø"	COMMENTS / DESCRIPTION
250X200X1329	2.50	2	2.5"X2.0" L = 1329MM 2 - ELEMENT
300X250X1000	3.0	2.5	3.0"X2.5" L = 950MM 2 - ELEMENT
TUBE300X250X892	3.0	2.5	3.0"X2.5" L = 892MM 2 - ELEMENT
350X275X1000	3.5	2.75	3.5"X2.75" L = 1000MM 3 - ELEMENT
350X275X1060	3.5	2.75	3.5"X2.75" L = 1060MM 3 - ELEMENT
400X300	4.0	3.00	4.0"X3.0" L=14"

SWAGED TUBE BM REF #	MAJOR Ø" D	MINOR Ø" E	LENGTH MM METRIC / IMPERIAL
TUBE350X300X1000	3.50"	3.00"	3.50/3.00 X.064 SWAGED TUBE @ 1000MM
TUBE350X300X064W	3.50"	3.00"	3.50/3.00 X.064 SWAGED TUBE @ 1100MM
350X300X064W1300	3.50"	3.00"	3.50/3.00 X.064SWAGED TUBE @ 1300MM
TUBE350X300X095W	3.50"	3.00"	3.50/3.00 X.095 SWAGED TUBE @ 1300MM
TUBE70X2/90X2	90X2	70X2	SWAGED MERCEDES SPRINTER - 1315MM
T70X3/100X3	100X3	70X3	SWAGED MERCEDES 609 / 709D - 1300MM
210.000.48822	120X3	100X3	120MM SWAGED TO 100MM - 1208MM
210.000.48823	120X3	100X3	120MM SWAGED TO 100MM - 1221MM
210.000.48824	120X3	100X3	120MM SWAGED TO 100MM - 1235MM
210.000.48825	120X3	100X3	120MM SWAGED TO 100MM - 1310MM
210.000.48853	120X3	100X3	120MM SWAGED TO 100MM - 1345MM
210.000.13875	120X3	100X3	120MM SWAGED TO 100MM - 1390MM
210.000.14423	120X3	100X3	120MM SWAGED TO 100MM - 1393MM
221.000.49051	120X3	100X3	120MM SWAGED TO 100MM - 1664MM
210.000.48873	120X3	100X3	120MM SWAGED TO 100MM - 1739MM
210.000.48854	120X3	100X3	120MM SWAGED TO 100MM - 1769MM
210.000.14829	120X3	100X3	120MM SWAGED TO 100MM - 1782MM
210.000.48827	120X3	100X3	120MM SWAGED TO 100MM - 1903MM
210.000.48829	120X3	100X3	120MM SWAGED TO 100MM - 1956MM
210.000.48830	120X3	100X3	120MM SWAGED TO 100MM - 1963MM
210.000.48832	120X3	100X3	120MM SWAGED TO 100MM - 1954MM

TUBE ADAPTORS	MAJOR Ø"	MINOR Ø	
---------------	----------	---------	--

1000000650335	180X4	130X6	ADAPTS FROM 180X4MM TO 130X6MM
ADAPTOR/1	140X5	100X3	
ADAPTOR/6	140X5	110X6	
ADAPTOR/2	130X5	90X2.5	
ADAPTOR/7	120X3	88.9	ADAPTS 120X3MM TO 0.095
GBSKU00469-41	120X3	90X3	ADAPTS FROM 120X3MM TO 90X3MM
GBSKU00469-52	120X3	100X3	ADAPTS FROM 120X3MM TO 100X3MM
ADAPTOR/9	100X4.5	80X3.5	
ADAPTOR/5	76.2X1.64	63.5X2.4	ADAPTS 3.00X.064" TO 2.50X0.095
ADAPTOR/8	70X3	50X3	



CAR & 4X4 SHAFTS AND COMPONENTS



BM REF

COMMENTS / DESCRIPTION

AUDI

CENTRE BRG

BMCB659	AUDI QUATRO 30X113X15MM
BMCB221	AUDI A8 30X130X15MM OE # 4D0-521-113
BMCB214	AUDI QUATRO 30X133X15MM OE # 8A0-521-113A
BMCB222	AUDI A4 30X153X15 OE # 8D0-521-113A
BMCB223	AUDI A4 30X153X15 OE # 8D0-521-113
BMCB234	AUDI Q7 30X154X19MM H = 60MM ORIGINAL
BMCB234A	AUDI Q7 30X154X19MM H = 60MM ALTERNATIVE
BMCB152	AUDI QUATRO 2.8 V6 30X178X16MM
BMCB151	AUDI QUATRO 30X187X15MM
BMCB660	AUDI A6 30X241X16M (SEE PIC # 110) O.E. REF # 4B0-521-113
BMCB263	AUDI QUATTRO 30X252X15MM / BHC=230MM TO 277MM
BMCB247	AUDI 30X227X16MM QUATTRO - VARIOUS APPLICATIONS
BMCB302	AUDI RS6 QUATTRO 4X4 30X227X15MM
BMCB248	AUDI 30X228.6X16MM
BMCB249	AUDI 30X238X16MM
BMCB320	AUDI 30X192X15MM OE # 4M0521101Q ALTERNATIVE

PROPSHAFT

AUDI/5	AUDI Q7 PROPSHAFT 7L8521102L L=1455MM	7L8521102L
AUDI/5A	AUDI Q7 PROPSHAFT 7L8521102L L=1455MM - AFTERMARKET	7L8521102L
AUDI/6	AUDI S6 PROPSHAFT OE REF # 4FO 521 101C	4FO521101C
AUDI/7	AUDI QUATTRO PROPSHAFT L=1744MM 4F0521101F	4F0521101F
AUDI/7A	AUDI QUATTRO PROPSHAFT L=1744MM 4F0521101F - AFTERMARKET	4F0521101F
AUDI/8	AUDI QUATTRO SHAFT L=1583MM 4F0521101G 99.7X6X8.1MM CVS	4F0521101G
AUDI/9	AUDI Q5 PROPSHAFT L=1525MM OE REF # 8R0521101F	8R0521101F
AUDI/9A	AUDI Q5 PROPSHAFT L=1525MM OE REF # 8R0521101F AFTERMARKET	8R0521101F
AUDI/12A	AUDI A4, A5, S5 PROPSHAFT L=1480MM OE REF # 8K0521101G AFTERMARKET	8K0521101G
AUDI/15A	AUDI Q5 ALT L=1495MM OE REF # 8R0521101B CV JOINTS BOTH ENDS FRONT = 632MM COUPLING TO C/L BRG PCD FOR COUPLING = 86MM	8R0521101B
AUDI/17	AUDI S6 PROPSHAFT L=1648.5MM OE REF # 4G0521101G 99.73MM CV JOINTS	4G0521101G
AUDI/17A	AUDI S6 PROPSHAFT L=1648.5MM OE REF # 4G0521101G 99.73MM CV - AFTERMARKET	4G0521101G
AUDI/18	AUDI Q7 PROPSHAFT OE REF # 4G0521101G	7L8521101A

BM REF #	COMMENTS / DESCRIPTION	
BMW	TO SUIT U/JOINT BM40 / GUM81 25X64MM EXTERNAL CIRCLIP	
PROPSHAFT		
BMW-X1	BMW X1 2.8i , 3.5i, 95X4X8MM L=735MM (570MM W-W)	26208628042 26207529294
BMW-X3/1	BMW X3 106X4X10MM L.702MM FF FRONT (535MM W-W)	26203401609
BMW-X3/2	BMW X3 106X4X10MM L.718MM FF FRONT (550MM W-W)	26207526677
BMW-X3/3	BMW 2.8dX, X4, 2.8iX Lc.734MM 95X4X8MM FLANGE TO MALE SPLINE SHAFT (525MM W-W)	26208605867 26207589985
BMW-X5/1	BMW X5 L.780MM INC/COUPLING	26207508629
BMW-X5/2	BMW X5 3.0L & 4.4L	26207524371
BMW-X5/3	BMW X5, 3.5D, X6, 3.5iX - RUBBER COUPLING 110X6X10MM / 27 SPLINE O/A LENGTH = 708MM FACE OF RUBBER > END OF SPLINE	26207556019
BMW-X5/4	BMW X5, X6 4.8i, 5.0iX	26207556020
BMW-X5/5	BMW X5, 3.0i, 4.4i L=1325MM	26107549305 26107529661
BMW-X5/6	BMW X5, X6, 3.5D, 3.5iX 95X4X8MM L=709MM	2620805866 26207597649
BMW-X5/7	BMW X5, X6, 3.5D, 3.5iX	26208605866 26207597649
BMW-X5/8	BMW X5, 3.0i, X5, 4.4i	26107549298 26107524364
U'JOINT		
BM35	24X63.5MM STAKED (SFL) BMW GU298	GU298
BM35/1	24X63.5MM STAKED (SFL) BMW GU298 C/w INA BRG CAPS	GU298IB
BM40	25.02X63.8MM EXTERNAL CIRCLIP GUM81	GUM81
SLIP ASSY		
SA104.2	YOKE SHAFT & SLEEVE TYPE TO SUIT TUBE BASE 60.4MM Ø U/JOINT BM40 / GUM81 25X64MM EXTERNAL CIRCLIP	
TUBE YOKE		
TY104.6	TO SUIT TUBE BASE 56.48MM Ø U/JOINT BM40 / GUM81 25X64MM EXTERNAL CIRCLIP	
FLANGE		
FY104.5	PCD=76.9MM SPIGOT=46.99MM BHC=55X55MM U/JOINT BM40 / GUM81	
FY1.31	100X4X8.5MM BMW H=44MM PCD= 76.9MM MS=47MM BHC=54.4X54.4MM	
MID ASSY		
MA104.1	TO SUIT TUBE BASE 56.48MM Ø MID STUB, END YOKE & 30MM Ø CTR BRG, U/JOINT BM40 / GUM81 25X64MM EXTERNAL CIRCLIP	
CTR BRG		
BMCB162	30X130X13MM (SEE PIC# 44)	
BMCB204	30X160X13MM (SEE PIC # 162) OE # 26121229492 / 26127201257	
BMCB300	30X160X13MM OE REF # 26127526632	
BMCB301	35X16X14MM OE REF # 26127521856	

BM REF #	COMMENTS / DESCRIPTION
----------	------------------------

CHRYSLER VOYAGER

PROPSHAFTS

	CHRYSLER VOYAGER PROP (4X4)
	No 1) = CV 96MM Ø PCD X 6 M8 MALE SPIGOT 57MM
	No 2) = CV 117MM Ø PCD X 6 M8 MALE SPIGOT 85MM
VOYAGER-1	CHRYSLER VOYAGER PROP (4X4) L.1397MM O.E # 4641095
VOYAGER-2	CHRYSLER VOYAGER PROP (4X4) L.1207MM

BM REF #	COMMENTS / DESCRIPTION
----------	------------------------

DAIHATSU

U'JOINT

BM11	20.02X54.8MM EXTERNAL CIRCLIP	GUD81
BM27	22.5X35.2MM INTERNAL CIRCLIP	GUD88
BM40	25.02X63.8MM EXTERNAL CIRCLIP	GUD83
BM656	27X81.8MM / 28X80MM ON OPPOSITE SPAN	£25.54
BM63	28.01X80MM EXTERNAL CIRCLIP **PREMIUM**	GUD84
BM215	30X55.1MM INTERNAL CIRCLIP	GUM93

FLANGE

FY92.2	BOLT HOLE CTRS 58X67MM MALE SPIGOT 50MM 28.01X80MM H=55MM	BM63
FY43.10	BOLT HOLE CTRS 65X65MM MALE SPIGOT 50MM (ELBE 0.110)	BM72

TUBE YOKE

TY92.1	TO SUIT (28.01X80MM)	BM63
--------	----------------------	------

SLEEVE YOKE

SL92.1	245MM UJ C/L TO END TO SUIT 28.01X80MM UJ	BM63
--------	---	------

SLIP STUB

SS92.1	TO SUIT SL92.1	BM63
--------	----------------	------

SHAFT ASSY

	FLANGE 102X4X10.2MM 50MM MALE SPIGOT (57X57MM) 80.6MM PCD REVERSE SLEEVE 30MM O.D. 19SPLINES + 2 MASTER	
DAIHATSU-1	UNWELDED SHAFT SUPPLIED IN KIT 30MM O.D 19 SPLINE + 2 MASTER	
DAIHATSU-7	445.5MM OVERALL 30MM O.D 19 SPLINE + 2 MASTER (25X64MM UJ)	615344
DAIHATSU-2	497MM OVERALL 30MM O.D 19 SPLINE + 2 MASTER (25X64MM UJ)	615338
DAIHATSU-4	515MM OVERALL 30MM O.D 19 SPLINE + 2 MASTER (25X64MM UJ)	615339
DAIHATSU-3	625MM OVERALL 30MM O.D 19 SPLINE + 2 MASTER (25X64MM UJ)	615340
DAIHATSU-5	640MM OVERALL 30MM O.D 19 SPLINE + 2 MASTER (25X64MM UJ)	615341
DAIHATSU-8	670MM OVERALL 30MM O.D 19 SPLINE + 2 MASTER (25X64MM UJ)	37110-87Z23-A
DAIHATSU-6	924.5MM OVERALL 30MM O.D 19 SPLINE + 2 MASTER (25X64MM UJ)	5114097
DAIHATSU-10	L=480MM PCD=80MM MS=50MM BHC=58X58MM (TOYOTA KEMBARA)	37140-87404

SHAFT ASSY

FOURTRAK-FRONT	PROPSHAFT L.655MM (65X65MM HOLE OFFSET) 1310SRS
FOURTRAK-REAR	REAR PROPSHAFTS - VARIOUS LENGTHS

FIAT

BMCV65	FIAT PANDA CV ASSY C/w BOOT KIT 86X6X8MM H=21MM
--------	---

BM REF #	COMMENTS / DESCRIPTION	
FORD		
SHAFT ASSY		
F-EDGE	FORD EDGE 2-PIECE SHAFT ALT	
EXPLORER	FORD EXPLORER (4X4) CV JOINT - OPEN UJ @ 705MM UJ C/L TO CV FACE	XL24-4A376-BA
KUGA-1	FORD KUGA 3 SECTION PROPSHAFT L=2010MM C/w CV JOINTS	9V4N-7L190-AA
KUGA-2	FORD KUGA 3 SECTION PROPSHAFT C/w CV JOINTS	CV614K357AF
RANGER	FORD RANGER & MAZDA 1310 SRS REAR 2-PIECE L=1600MM FRONT SECTION = 495MM FLANGE > BRG C/L REAR SECTION = 1110 MM C/L BRG > FLANGE COMPRESSED	4557876 5238525 SA54-25-100
RANGER/1	FORD RANGER TRANSFER BOX TO FRONT AXLE 470MM UJ CTRS FLANGE = 106X4X8MM * 63X63MM HOLE CL / 5MM Ø SPIGOT H=40MM TO MALE SPLINE H=245MM (FORD STANDARD 25 SPLINE) YS112.1	3636418
RANGER/2	FORD RANGER 1330 SRS TRANSFER BOX TO REAR AXLE 2 PIECE OVERALL LENGTH = 1600MM COMPRESSED	4067082 1445429
RANGER/3	FORD RANGER 1330 SRS 2 PIECE PROPSHAFT L=1445MM OVERALL FRONT: FLANGE - C/L CTR BRG = 395MM REAR: 1050MM C/L CTR BRG - FLANGE COMPRESSED	1447190 5223453
RANGER/4	FORD RANGER & MAZDA FRONT 1310 SRS (4X4 FRONT) L=660MM	SA67 25 100
RANGER/6	FORD RANGER 2 PIECE 1330 SRS L=1600MM FRONT: FLANGE - C/L CTR BRG = 587.6MM REAR: 1012.3MM C/L CTR BRG - FLANGE COMPRESSED	AB39-4K145-AF
FLANGE		
FY3.24	FORD RANGER & MAZDA H=45 MS=45 PCD=104.6 BHC=74X74 MM 2-2-1859	
FY4.12	FORD RANGER / NISSAN 1330 132X4X12.2MM PCD=108MM, H=41.4MM, FS=65MM (5MM DEEP), BHC=76X76MM	
FY4.13	FORD RANGER / NISSAN 1330 132X4X12.2MM PCD=108MM, H=43.4MM, FS=65MM (7MM DEEP), BHC=76X76MM	
FY4.7	FORD RANGER / NISSAN 134X4X12.2MM PCD=108MM H=43MM FS=65MM BHC=76X76MM	
YOKE SHAFT		
YS112.1	YOKE SHAFT MAZDA/FORD RANGER H=245MM (25 SPL) 26.5X48/50.4MM	BM48
SLEEVE YOKE		
SL3.17	TRANSMISSION SLEEVE 1310 42X192MM (28/30 SPLINE)	BM55
CV ASSY		
BMCV18	FORD EXPLORER CV ASSY C/w STUB + SHIELD (GKN 231106WAB1673)	
BMCV27	FORD ESCAPE/MAVERICK CV JOINT ASSY COMPLETE	
BMCV24	FORD ESCAPE/MAVERICK CV JOINT ASSY COMPLETE	
MID YOKE		
EY3.7	1310 MID YOKE FOR FORD RANGER 2P PROPSHAFT 2-4-8261	
EY4.1	1330 MID YOKE FOR FORD RANGER 2P PROPSHAFT	
CENTRE BRG		
BMCB205	FORD RANGER 28X181X15MM	
BMCB323	FORD KUGA 30X58X13MM M8X125MM	
BMCB149	FORD RANGER 30X149X13MM	
BMCB177	FORD MAVERICK 30X175X15.5MM (AUTO) - ORIGINAL	
BMCB178	FORD MAVERICK 30X175X15.5MM (MANUAL) - ORIGINAL	

BM REF #	COMMENTS / DESCRIPTION
----------	------------------------

FORD	
BMCB260	FORD RANGER 3 & MAZDA 35X180X14MM - ORIGINAL
BMCB260A	FORD RANGER 3 & MAZDA 35X180X14MM - ALTERNATIVE
BMCB266	FORD RANGER 35X163X14MM OE REF # SA12-25-300

BM REF #	COMMENTS / DESCRIPTION
----------	------------------------

HINO	
U'JOINT	
BM92	36X115.6MM GUH74
BM454	47X144MM GUH68
BM455	50X165MM GUH73
BM635	55X163.8MM GUN43
BM456	58X175MM GUH75
PROPSHAFT	
HINO-3	HINO INTERAXLE PROPSHAFT 186X4X14MM Lc.590MM 52X147.2MM UJ
HINO-4	HINO INTERAXLE PROPSHAFT 186X4X14MM Lc.645MM 47X144MM UJ
HINO-5	HINO INTERAXLE PROPSHAFT 186X4X14MM Lc.595MM 47X144MM UJ

BM REF #	COMMENTS / DESCRIPTION
----------	------------------------

HONDA	
U'JOINT	
BM453	22X65MM EXTERNAL CIRCLIP GUH03
BM305	25X64MM EXTERNAL CIRCLIP GUH02
SHAFT ASSY	
HONDA-3	HONDA CRV 2 PIECE # 40100S10A01 MANUAL - OEM L=2100MM 40100-S10-A01
HONDA-3A	HONDA CRV 2 PIECE # 40100S10A01 MANUAL - AFM BRAND L=2100MM 40100-S10-A01
HONDA-5A	HONDA CRV 2 PIECE # 40100S9AE01 - AFM BRAND L=2060MM 40100SEA001
HONDA-5B	HONDA CRV 2 PIECE # 40100S9AE01 - AFM BRAND L=2060MM 89X4X8 40100SEA001
HONDA-6	HONDA CRV 2-PIECE # 40100SKNE01 L=2065MM 40100-SKNE01
HONDA-8A	HONDA CRV 2-PIECE # 40100TOA - AFM BRAND L=2080MM 40100TOA
HONDA-9A	HONDA CRV 2-PIECE # 40100-T1EE01 AFM L=2100MM 40100-T1EE01
HONDA-10A	HONDA CRV 2-PIECE # 40100-T7L-003 AFM L=2125MM 40100-T7L-003
CENTRE BRG	
BMCB264	HONDA CRV 1996 - 2000 40520-S10-000

BM REF #	COMMENTS / DESCRIPTION
----------	------------------------

HYUNDAI	
U'JOINT	
BM49	27X61.9MM EXTERNAL CIRCLIP END LUBE GU800
BM49/1	27X61.9MM EXTERNAL CIRCLIP END LUBE ORIGINAL SPICER 5-443X
BM422	27X80MM EXTERNAL CIRCLIP
FLANGE	
FY24.40	115X4X10.2MM Ø PCD=90MM MS=45MM H=58MM BHC=63.5X63.5MM
CENTRE BRG	
BMCB307	30X178X10 HYUNDAI SANTA FE 49575-2B000
BMCB283	30X180X13 HYUNDAI SANTA FE 49575-2E000
BMCB127	30X144X16MM HYUNDAI MR165252
BMCB274	30X180X13 HYUNDAI SANTA FE

BM REF #	COMMENTS / DESCRIPTION
----------	------------------------

HYUNDAI	
SHAFT ASSY	
	36MM DIA SLEEVE (23 / MAX 24 SPLINE) U/J 27X80MM
	FLANGE 98/4-10 (51/61MM HOLE OFFSET 45MM SPIGOT) UJ 27X80MM
HYUNDAI-1	L=942MM (UJ 27X80MM) 49100-43304
HYUNDAI-2	L=918MM (UJ 27X80MM) 49100-43205
HYUNDAI-3	L=1010MM (UJ 27X80MM) 49100-46410
HYUNDAI-5	L=1200MM UN-WELDED SHAFT
HYUNDAI-11	L=1953MM 2 PC PROPSHAFT 110X4X10.6MM MS=45MM
	BHC=64X64MM 49300-2B500
HYUNDAI-13	L=1969MM 2 PC PROPSHAFT GUIBO120X6X12 /
	100X4X10MM 49300-2E300
HYUNDAI-14	L=2007MM SANTE FE AFM RUBBER COUPLING 120MM DIA /
	110X4X10.6MM 49300-2B950
HYUNDAI-15	L=1995MM RX35 AFM RUBBER COUPLING 120MM DIA /
	110X4X10.6MM 49300-2Z010
HYUNDAI-16	L=2070MM SANTA FE AFM RUBBER COUPLING 120MM DIA /
	110X4X10.6MM 49300-26103
HYUNDAI-10	SANTE FE L=1953MM 2 PIECE SHAFT 49300-2B500
	SLIP ASSY FLANGE 115X4X10.2MM MALE SPIGOT 45MM (58X69MM)
	FIXED END FLANGE 130X4X10.5MM MALE SPIGOT 45MM (74X74MM)
HYUNDAI-	L=1062MM UJ (27X80MM) 49020-H1160
	SLIP ASSY FLANGE 130X4X10.2MM MALE SPIGOT 45MM (74X74MM)
	FIXED END FLANGE 110X4X10.2MM MALE SPIGOT 45MM (64X64MM)
HYUNDAI-	L=1050MM UJ (27X80MM) 49020-H1322
	FLANGE 100X4X10.2MM MALE SPIGOT 45MM OFFSET 51/61MM
	FLEXIBLE COUPLING 78MM PCD 3 X 12.2MM HOLES
HYUNDAI-4	L=2030MM 2-PIECE SHAFT C/w BMCB127 CTR BRG 49300-26100

BM REF #	COMMENTS / DESCRIPTION
----------	------------------------

ISUZU	
SHAFT ASSY	
ISUZU-FRONT	ISUZU TROOPER 4X4 SWB 468MM FFC
ISUZU-REAR	ISUZU TROOPER 900MM O/A / 38MM DIA SLEEVE 25 SPLINE + 1 MASTER
U'JOINT	
BM425	20.5X56.5MM EXTERNAL CIRCLIP GUI559
BM341	22.06X61.7MM STAKED GUI563
BM55	27X87.7MM EXTERNAL CIRCLIP GUI569
BM68A	29X49MM INTERNAL CIRCLIP MATSUBA PREMIUM TYPE GUI52
BM68	29X49MM INTERNAL CIRCLIP STANDARD GUI52
BM69	29X50MM INTERNAL CIRCLIP SIDE LUBE
BM488	29X50/53MM INTERNAL CIRCLIP END LUBE IN CAP
BM772	29X50MM INTERNAL CIRCLIP SFL ISUZU / TROOPER / DMAX GUT-31
BM524	29X70MM ISUZU INTERNAL CIRCLIP
BM670	33X93MM EXTERNAL CIRCLIP CENTRE LUBE GUI566
BM696	33X104MM EXTERNAL CIRCLIP CENTRE LUBE
BM737	40X115MM GUI564 GUI564
CENTRE BRG	
BMCB125	30X94X16MM ISUZU D-MAX H=81MM
BMCB315	30X94X16MM ISUZU D-MAX H=100MM 8-97942-877-0
BMCB124	40X157.4X18MM ISUZU NPR
BMCB124/1	40X18MM ISUZU NPR 5-37516005-0
BMCB119	45X158X19MM 4 BOLT FITTING 36X19MM CENTRES 8

BM REF #	COMMENTS / DESCRIPTION	
ISUZU		
BMCB132	45X158X19MM 4 BOLT FITTING 36X19MM CENTRES	31634800302
BMCB267	32X20MM ISUZU NKR	9-37516006-0
FLANGE YOKE		
FY3.8	108X4X10MM ISUZU & SSANGYONG H=45MM PCD=85MM SPIGOT=65MM 3003.243	
FY24.11	10.2MM HOLES PCD=85MM MS=65MM BHC=68.6X49.8MMH=46MM	
FY7.10	135X4X12.2MM DIA 110MM PCD H=65MM (1480 SERIES 34.9X106.4MM)	BM263
FY7.11/1	120X4X12.2MM DIA 80MM SPIGOT H=65MM (1480 SERIES 34.9X106.3MM)	BM263
TRANSMISSION SLEEVE		
SL3.27	ISUZU REVERSE SLEEVE 38MM Ø H=163MM 26 SPLINES 1 X MASTER	
MID ASSY		
MA7.2	135X4X12MM SPIGOT=80MM ISUZU & MITSUBISHI 3.5X.095 TUBE H=78.5MM (120MM WELD PREP TO FACE)	
MID STUB		
MS6.3	3X.095" USE WITH CF6.3 & CF6.6 5157.2641 10 SPLINES	
COMP FLANGE		
CF6.6	120X4X12MM TO SUIT MS6.3 / 10 SPLINES ISUZU 100MM PCD 80MM SPIGOT	
BM REF #	COMMENTS / DESCRIPTION	
JAGUAR X400 4x4		
PROPSHAFT		
BMCB12	30X76X13MM JAGUAR	
BMCB157	30X170X12MM JAGUAR XJ350 ORIGINAL	
BMCB157A	30X170X12MM JAGUAR XJ350 AFTERMARKET	
BMCB236	JAGUAR X400 4x4 WD 65X170X18MM H=70MM	
BM REF #	COMMENTS / DESCRIPTION	
JEEP CHEROKEE		
C.V. JOINT		
BMCV21	JEEP CHEROKEE CV (REAR) PCD = 86MM DIA = 99.9X6X8.6MM 30MM C.V BODY (C/w BOOT KIT & SHROUD)	
BMCV21/2	JEEP CHEROKEE CV (REAR) PCD = 86MM GKN 2081630 CAGE ON BMCV21/2 = 38MM - 30MM CV BODY WIDTH	
UL6K001	OEM WIDE ANGLE SHROUD & RUBBER FOR BMCV21	
BMCV22	JEEP CHEROKEE CV+GAITOR/SHIELD (FRONT) PCD=86MM	
BMCV25	JEEP CHEROKEE CV+STUB ASSY La.50MM PCD=86MM (28 SPL Ø x 25 SPLINES)	
BMCV28	JEEP CHEROKEE CV+MALE SPLINE L = 325MM PCD=86MM	
BMCV34	JEEP CHEROKEE CV ASSY (FRONT) 1999-2001 - 86MM PCD 100MM O.D 40MM WIDE - SUPPLIED WITH SHROUDS ETC	
BMCV39	JEEP CHEROKEE CV ASSY (REAR 2005 ONWARDS 86MM PCD 99.9X6X8.6MM O.D 40MM WIDE - SUPPLIED WITH SHROUDS ETC	
BMCV58	JEEP CHEROKEE REAR C.V DIA=108MM 7153170121001	
CENTRE BRG		
BMCB254	30X130X13MM CHRYSLER GRAND VOYAGER	
SHAFT ASSY		
JEEPCHEROKEE/1	DANA 1310 C/w DOUBLE JOINT Lz. 698MM 2" Ø TUBE	
JEEPCHEROKEE/2	DANA 1310 C/w DOUBLE JOINT Lz. 727MM 2" Ø TUBE	
JEEPCHEROKEE/3	DANA 1310 C/w DOUBLE JOINT Lz. 771MM 2" Ø TUBE	

BM REF #	COMMENTS / DESCRIPTION
----------	------------------------

JEEP CHEROKEE

JEEPCHEROKEE/4	DANA 1310 C/w DOUBLE JOINT Lz. 803MM 44MM Ø TUBE
JEEPCHEROKEE/5	C/w FIXED/PLUNGE CV JOINTS 100/6-8.9MM (PCD=86MM) L.830MM COMPRESSED 45.7X3MM TUBE Ø 571MM W-W TUBE LENGTH 52099497AE
JEEPCHEROKEE/6	C/w FIXED/PLUNGE CV JOINTS 100/6-8.9MM L.803MM COMPRESSED 45.7X3MM Ø TUBE 540MM W-W TUBE LENGTH 52099499AG
JEEPCHEROKEE/6A	C/w FIXED/PLUNGE CV JOINTS 100/6-8.9MM L.803MM COMPRESSED 50.83MM Ø TUBE 52099499AG
JEEPCHEROKEE/7	1310 HR D/JOINT - 100X6X8MM CV JOINT Lz. 780MM / 310MM W-W 44MM Ø TUBE
JEEPCHEROKEE/8	1310 HR @ AXLE END / SL3.9 SLEEVE @ G/BOX END L= 865MM UJ CTRS 2.5" Ø TUBE
JEEPCHEROKEE/9	C/w FIXED/PLUNGE CV JOINTS 100/6-8.9MM L.791.1MM COMPRESSED 45.7X3MM Ø TUBE 535MM W-W TUBE LENGTH 52099498AE
JEEPCHEROKEE/10	DANA 1310 C/W DOUBLE JOINT (UN-WELDED @ SE) 960MM UJ CTRS CLOSED
JEEPCHEROKEE/11	1310 HR D/JOINT & PLUNGE CV 100X6X8MM Lz=808MM COMPRESSED 45.7MM Ø TUBE 540MM W-W 52098867
JEEPCHEROKEE/12	1310 C/w DOUBLE JOINT Lz. 643MM COMPRESSED 33.4MM Ø TUBE
JEEPCHEROKEE/13	C/w CV PLUNGE JOINT 100/6-8.9MM & STANDARD CV JOINT 100/6-8.9MM Lz=709MM COMPRESSED - FRICITION WELDED TUBE 52111594AA
JEEPCHEROKEE/14	C/w CV PLUNGE JOINT 100/6-8.9MM & STANDARD CV JOINT 100/6-8.9MM Lz=731MM COMPRESSED- FRICITION WELDED TUBE 52111591AB
JEEPCHEROKEE/15	C/w FIXED/PLUNGE CV JOINTS 100/6-8.9MM Lz 764MM FRICITION WELDED TUBE 52111596AA
JEEPCHEROKEE/17	C/w CV PLUNGE JOINT 100/6-8.9MM & STANDARD CV JOINT 100/6-8.9MM Lz = 856MM FULLY COMPRESSED 52853027AA
JEEPCHEROKEE/18	C/w CV PLUNGE JOINT 100/6-8.9MM & STANDARD CV JOINT 100/6-8.9MM Lz=790MM COMPRESSED 52853417AD
JEEPCHEROKEE/19	C/w CV PLUNGE JOINT 100/6-8.9MM & STANDARD CV JOINT 100/6-8.9MM 52853299AB



BM REF #	COMMENTS / DESCRIPTION
KIA	
U'JOINT	
BM793	28X48.4/51.6MM INTERNAL CIRCLIP
CENTRE BRG	
BMCB278	25X165X15MM KIA SPORTAGE
BMCB167	28X168X16MM KIA SORRENTO
BMCB218	30X171.4X15MM KIA SORENTO 2WD
SHAFT ASSY	
KIA SPORTAGE	
KIA-1	PROPSHAFT KIA SPORTAGE - FLANGES 117X4X10.2MM & 106X4X8.2MM MALE SPIGOT 45MM - 1117MM COMPRESSED OKO11-25-100
KIA-2	PROPSHAFT KIA SPORTAGE - FLANGES 117X4X10.2MM & 106X4X8.2MM MALE SPIGOT 45MM - 758MM COMPRESSED OKO18-25-100
KIA-8	PROPSHAFT KIA SPORTAGE - FLANGE 108X4X10MM / RUBBER COUPLING 80MM PCD - Lz 1990MM 60MM DIA TUBE 49300-3W000
KIA-9	PROPSHAFT KIA SPORTAGE - FLANGE 100X4X10MM / RUBBER COUPLING 80MM PCD - 1975MM COMPRESSED 76.2MM DIA TUBE 49300-2E000
KIA SORRENTO	
KIA-3	PROPSHAFT KIA SORRENTO 4X4 - 100X4X10MM FLANGES 60MM MALE SPIGOT - 660MM COMPRESSED 49100-3E100
KIA-4	PROPSHAFT KIA 2.5D 4X4 - FLANGE 110X4X10MM CV END 94X6X8MM - 654MM COMPRESSED 49100-3E150
KIA-5	PROPSHAFT KIA SORRENTO 2WD AUTO 2003-2004
KIA-6	PROPSHAFT KIA SORRENTO 4X4 - 100X4X10MM FLANGES 60MM MALE SPIGOT 646MM COMPRESSED 49100-3E000
KIA-7	PROPSHAFT KIA SORRENTO Lz.646M (FL-CV) 49100-3E050
KIA-10	PROPSHAFT KIA SORRENTO - FLANGES 110X4X10MM Lz=675MM 49100-3E110
KIA-11	PROPSHAFT KIA SORRENTO - COMPRESSED LENGTH Lz=640MM 49300-3W000
KIA-12	PROPSHAFT KIA SORRENTO - COMPRESSED LENGTH Lz=1100MM FLANGES 86X4X10MM 60MM MALE SPIGOT BHC=64X64MM 49100-3E300
FLANGE YOKE	
FY3.69	108X4X8MM KIA SPORTAGE H=59MM MS=45 PCD=89MM BHC=63X63MM
FY3.66	110X4X10.5MM KIA SORRENTO H=59MM MS=60MM PCD=90MM BHC=63.7X63.7MM
FY3.71	118X4X10.5MM KIA H=59 PCD=96.2MM MS=45MM BHC=68X68MM
FY112.1	FLANGE YOKE 63X63 BOLT HOLES (45MM SPIG) MAZDA H=42MM BM48 26.5X48MM
FY112.2	FLANGE YOKE 74X74 BOLT HOLES (45MM SPIG) MAZDA H=42MM BM48 26.5X48MM
FY112.3	FLANGE YOKE 63X63MM (60MM SPIG) KIA H=45MM BM48 26.5X48MM£34.94

BM REF #	COMMENTS / DESCRIPTION	
----------	------------------------	--

KOMATSU		
U'JOINT		
BM459	5C HIGH WING DRILLED COMBINATION GUKO-30 32X83.9	
	INTERNAL CIRCLIP / 42.9X88.9MM	GUK030
BM276	38.9X109.4MM EXTERNAL CIRCLIP	GUK017
BM312A	KOMATSU 41.3X104.3/110.8MM / 49.2X117.6MM 7C	
	OPP SPAN 5050Q	5050Q
BM399	50X181MM MECHANICS TYPE	
BM411	12C MECHANICS 92X241.3MM	

BM REF #	COMMENTS / DESCRIPTION	
----------	------------------------	--

LANDROVER DISCOVERY		
SHAFT ASSY		
33AS-4	DISCOVERY PROPSHAFT OEM SPEC @ 604MM FFC	
	FRC8386	FRC8386
FRC8386	DISCOVERY PROPSHAFT AFTERMARKET Lz=604MM	
	PHASED 45°	FRC8386
33AS-7B	DISCOVERY PROPSHAFT c/w DOUBLE JOINT AFTERMARKET	
	@ 604MM FFC	TVB000100
TVB000370A	LANDROVER L=756MM AFM	TVB000370
TVB500360	LANDROVER DISCOVERY REAR 2 PC SHAFT OE SPEC	LR037027
TVB500360A	LANDROVER DISCOVERY REAR 2 PC SHAFT AFM	LR037027
TVB500390	LANDROVER DISCOVERY L320 REAR 2 PC SHAFT OE SPEC	LR037028
TVB500390A	LANDROVER DISCOVERY L320 REAR 2 PC SHAFT AFM	LR037028
TVB500510	DISCOVERY & RANGE ROVER SPORT FRONT SHAFT	
	OE SPEC	TVB500100
TVB500510A	DISCOVERY & RANGE ROVER SPORT FRONT SHAFT AFM	TVB500100
TVB500450	LAND ROVER 1350 SRS TRANSFER BOX TO REAR DIFF	
	L=620MM	TVB500540
FRC4907	LANDROVER AFM Lz=530MM	FRC4907
FRC5566	LANDROVER AFM Lz=650MM	FRC5566
FRC8390	LANDROVER AFM Lz=650MM PHASED 67.5°	FRC8390
FRC8392	LANDROVER AFM Lz=640MM PHASED 45°	FRC8392
FTC3245	LANDROVER AFM Lz=1076.5MM	FTC3245
FTC3905	LANDROVER AFM Lz=1126.5MM	FTC3905
STC121	LANDROVER AFM Lz=580MM	STC121
TVB100610	LANDROVER AFM Lz=604MM 1330 SRS PHASED 45°	TVB100610
CENTRE BRG		
BMCB184	30X130X15MM LANDROVER DISCOVERY 3 O.E. H=60MM	TVB500360
BMCB184A	30X130X15MM LANDROVER DISCOVERY 3 ALTERNATIVE	
	H=60MM	TVB500360
BMCB189	30X130X15MM RANGE ROVER SPORT H=65MM	TVB500400
BMCB289	30X160X13MM RANGE ROVER H=45MM	TOQ000050
RUBBER COUPLING		
FC-13	96MM PCD 30MM THICK SHORE # 48	

BM REF #	COMMENTS / DESCRIPTION	
----------	------------------------	--

LANDROVER FREELANDER		
SHAFT ASSY		
14D-2	FREELANDER FRONT SECTION C/w CV PLUNGE JOINT- O E # FTC5428 / TVB000090	TVB000090
14D-2A	FREELANDER FRONT SECTION C/w CV PLUNGE JOINT- O E# FTC5428 / TVB000090 - ALTERNATIVE	TVB000090
14D-6	FREELANDER REAR SECTION 710MM WELD-WELD O E# FTC5430/TVB000190	TVB000190
14D-6A	FREELANDER REAR SECTION 710MM WELD-WELD O E # FTC5430/TVB000190 - AFTERMARKET	TVB000190
LR006959	FREELANDER 2 AUTOMATIC 3 PC PROPSHAFT C/w CV JOINTS	LR006959
TDB103520	FREELANDER 4X4 1.8L FRONT WHEEL DRIVESHAFT LH & RH C/w CVs	TDB103520
LR021552	FREELANDER 2P PROPSHAFT	LR021552
UL9U034	FREELANDER VIBRATION DAMPER (OEM)	
CENTRE BRG		
BMCB226	30X82X15MM	
BMCB96	30X138X15MM C/w STRENGTHENING BLOCKS - ALTERNATIVE	TOQ000040
BMCB96/1	30X138X15MM C/w STRENGTHENING BLOCKS - ORIGINAL	
BMCB96/2A	30X138X15MM c/w STRENGTHENING BLOCKS - ALTERNATIVE	TOQ000060
BMCB262	30X164X16MM H=47MM	
BMCB261	30X168X16MM H=57MM ALLOY HOUSING	
BMCB292	30X201X15.5MM FAG DISCOVERY (OFFSET HOLES)	

BM REF #	COMMENTS / DESCRIPTION	
----------	------------------------	--

RANGE ROVER		
REAR SHAFT	L = 852MM 30° WIDE ANGLE FLANGES 60MM SPIGOT 50.8MM TUBE Ø	571973
TVB500450	LAND ROVER 1350 SRS TRANSFER BOX TO REAR DIFF L=620MM	TVB500450
TVB500380A	RANGE ROVER SPORT2 PIECE L.1280MM ALT	TVB500380A

BM REF #	COMMENTS / DESCRIPTION	
----------	------------------------	--

LAND ROVER		
FRONT SHAFT	L = 580MM 20° STD ANGLE FLANGES 60MM SPIGOT 50.8MM TUBE Ø	553000
FRONT SHAFT	L = 605MM 20° STD ANGLE FLANGES 60MM SPIGOT 50.8MM TUBE Ø	FRC6243
FRONT SHAFT	L = 620MM 20° STD ANGLE FLANGES 60MM SPIGOT 50.8MM TUBE Ø	571955
FRONT SHAFT	L = 620MM 20° STD ANGLE FLANGES 60MM SPIGOT 50.8MM TUBE Ø	FRC4799
FRC5566	L = 650MM LANDROVER ALTERNATIVE	FRC5566
FRONT SHAFT	L = 528MM 30° WIDE ANGLE FLANGES 60MM SPIGOT 50.8MM TUBE Ø	591278
FRONT SHAFT	L = 618MM 30° WIDE ANGLE FLANGES 60MM SPIGOT 50.8MM TUBE Ø	594361
35AS-3	L = 675MM 45° PHASED 1350 SRS 1310SAE	LR010465

BM REF #	COMMENTS / DESCRIPTION	
----------	------------------------	--

FRC8386	LANDROVER ALTERNATIVE Lz=604MM PHASED 45°	FRC8386
FRC8390	LANDROVER ALTERNATIVE Lz=650MM PHASED 67.5°	FRC8390
TVB100610	LANDROVER ALTERNATIVE Lz=604MM 1330 SRS PHASED 45°	TVB100610
FRC8392	LANDROVER ALTERNATIVE Lz=640MM PHASED 45°	FRC8392

BM REF #	COMMENTS / DESCRIPTION	
----------	------------------------	--

BMCB245	CENTRE BRG 30X173.5X13MM LEXUS H=38MM	37230-29015
BMCB246	CENTRE BRG 30X165X13MM LEXUS H =41MM	37230-49015

BM REF #	COMMENTS / DESCRIPTION	
----------	------------------------	--

LTI LONDON TAXI		
C.V. JOINT		
BMCV06	LONDON TAXI CV 100MM Ø 25 SPLINE	
BMCV43	LONDON TAXI CV 100MM ØX6X8MM 86MM PCD CASE WIDTH = 32MM SPLINES = 25	61002041C
BMCV43/1	LONDON TAXI CV 100MM ØX6X8MM 86MM PCD CASE WIDTH = 32MM SPLINES = 25 **INCLUDED FITTINGS / BOOT ETC**	901826

C.V. SHROUD		
DL515BK	TAXI CV SHROUD & RUBBER FOR BMCV06	

CENTRE BRG		
BMCB216	LONDON TAXI 30X138X15MM	

BM REF #	COMMENTS / DESCRIPTION	
----------	------------------------	--

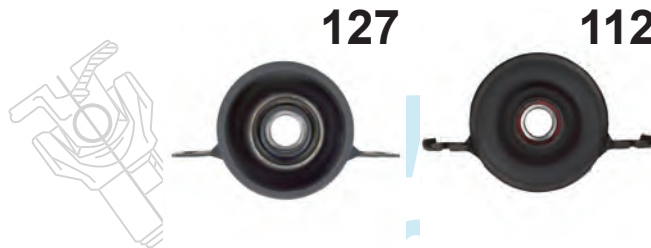
MAZDA		
FLANGE = 104.6MM PCD 45MM SPIG 74X74MM H=40		
REV. SLEEVE 38X152MM 23/25 SPLINE MAZDA		
MAZDA-7	MAZDA (D2200) SINGLE-PIECE 1085MM O/A	

U'JOINT		
BM341	22.06X61.2MM STAKED	GUMZ11
BM40	25.02X63.8MM EXTERNAL CIRCLIP - LUBE	GUM81
BM629	24.06X71.4MM STAKED	GUMZ12
BM38	25X41.2MM I/C	GUMZ7
BM48	26.5X48/50.4MM I/C	GUMZ9
BM304	27.38X50.8/53.9MM I/C	2387EA
BM60	28X56MM I/C	GUMZ6
BM518	32X57MM	GUMZ3
BM601	37X66MM I/C	GUMZ8

FLANGE YOKE		
FY105.1	127X4X10.4MM DIA PCD=104.6MM / 45MM SPIGOT TO SUIT UJ 27.4X54MM I/C (BM304)	27.4X54MM
FY105.2	107X4X10.4MM PCD =86.4MM / 45MM SPIGOT H 45MM (BM304)	27.4X54MM
FY105.3	107X4X8.6MM PCD = 88.9MM I/C SPIGOT=45MM H=40MM BM304	27.4X54MM
FY105.4	121X4X10.2 MAZDA / KIA 96.2MM PCD 45MM SPIGOT H=40MM BHC=68X68MM (BM304)	27.4X54MM
FY3.71	121X4X10.5MM MAZDA / KIA H=59 PCD=96.2MM MS=45MM BHC=68X68MM	27X81.8MM
FY112.1	FLANGE YOKE BHC=63X63 (45MM SPIG) MAZDA H=42MM BM48	26.5X48/50.4MM
FY112.2	FLANGE YOKE BHC=74X74 (45MM SPIG) MAZDA H=42MM BM48	26.5X48/50.4MM
FY112.3	FLANGE YOKE BHC=63X63 (60MM SPIG) MAZDA H=45MM BM48	26.5X48/50.4MM

BM REF #	COMMENTS / DESCRIPTION
----------	------------------------

MAZDA	
TUBE YOKE	
TY105.1	63.5X1.6MM TUBE TO SUIT UJ 27.4X54MM I/C (BM304) 27.4X54MM
TY105.2	65.3X1.6MM TUBE TO SUIT UJ 27.4X54MM I/C (BM304) - OE TUBE SIZE 27.4X54MM
TY105.3	76.2X1.6MM TUBE TO SUIT UJ 27.4X54MM I/C (BM304) 27.4X54MM
TY112.1	63.5X1.6MM TUBE TO SUIT UJ 26.5X48/50.4MM I/C (BM48) 26.5X48/50.4MM
SLEEVE YOKE	
SL2.24	MAZDA TRANSMISSION SLEEVE 35MM Ø H=150MM (20/22 SPLINES) 27X74.6MM
SL105.1	TRANSMISSION SLEEVE 35X152.4MM (20/22 SPLINE) (BM304) 27.4X54MM
SL105.2	TRANSMISSION SLEEVE 39.6X152.4MM (25/26 SPLINE) (BM304) 27.4X54MM
SL105.3	TRANSMISSION SLEEVE 38X152MM (23/25 SPLINE) (BM304) 27.4X54MM
CENTRE BRG	
BMCB146	25X163X15MM MAZDA B2000/B2200 4X2 - P030-25-310
BMCB156	28X163X13MM MAZDA B2200 AUTO / B2600 4X2 86-93
BMCB205	28X181X15MM MAZDA & FORD RANGER



BM REF #	COMMENTS / DESCRIPTION
----------	------------------------

MERCEDES ORIGINAL EQUIPMENT	
PROPSHAFTS	
	DOUBLE JOINT 116X4X10MM (67/67 - 70MM MALE SPIGOT) CV JOINT 97/6-8MM - 86MM PCD
ML-270	ML270 MERCEDES FRONT PROPSHAFT 'EL' 766MM A163.410.0301
ML-270/1	ML 270 MERCEDES REAR PROPSHAFT DOUBLE JOINTED A163.410.0402
ML-270/2	ML270 MERCEDES FRONT PROPSHAFT 'EL' 696MM A163.410.0201
ML-270/3	ML270 MERCEDES FRONT PROPSHAFT 'EL' 717MM 97X6X8 & 116X4X10 A163.410.0901
ML-270/4	ML270 MERCEDES FRONT PROPSHAFT EL.571MM 97X6X8 & 116X4X10 A163.410.0101
ML-270/5	ML270 / ML430 / ML500 PROPSHAFT L. MM A163.410.1202
ML-270/6	ML320 PROPSHAFT L.1276MM A163.410.0702
ML-270/7	ML270 PROPSHAFT L.1275MM A163.410.0802
A221.410.1701	MERCEDES S CLASS PROPSHAFT 95X4X10MM AFTERMARKET A221.410.1701
FLANGE YOKE (CV)	
FY3.35	MERCEDES ML270 (4X4) C/w BALL 67/67MM BOLT HOLE70MM SPIGOT
TUBE YOKE (CV)	
TY3.20	MERCEDES ML270 (4X4) C/w PIN 63.5X2.1MM TUBE H=36.5MM
C.V. JOINT	
BMCV30	COMPLETE CV ASSY ML270 FOR SHAFTS EL 766MM & 696MM
DOUBLE JOINT	
DJ3.6	MERCEDES ML270 1310 SRS 63.5X2.1MM (67/67MM BOLT HOLE CTRS)

BM REF #	COMMENTS / DESCRIPTION
----------	------------------------

MERCEDES	ORIGINAL EQUIPMENT
CENTRE BRG	
BMCB207	25X111X12MM MERCEDES E190 REF 201.410.0581 BRG M1
BMCB172	25X118X12MM MERCEDES REF 124.410.0181 BRG M2
BMCB253	25X208X12MM MERCEDES H=48MM 210.410.1881
BMCB113	30X100X14MM MERCEDES ORIGINAL ML270 CENTRE BRG 163.410.0010
BMCB113A	30X100X14MM MERCEDES ML270 CENTRE BRG BRG.M11 163.410.0010
BMCB174	30X120X13MM MERCEDES REF 126.410.0181 BRG.M8
BMCB175	30X125X12MM MERCEDES REF 115.410.4481 BRG.M5
BMCB210	30X125X13MM MERCEDES REF 129.410.0381 BRG.M17
BMCB171	30X131X12MM MERCEDES REF 123.410.1081 BRG.M6
BMCB203	30X208X12MM E300 210.410.1681 BRKT SLOTTED HOLES
PLEASE SEE CHAPTER 8 FOR MERCEDES SPRINTER PROPSHAFTS	

BM REF #	COMMENTS / DESCRIPTION
----------	------------------------

MITSUBISHI	
U'JOINT	
BM47	22X37.5MM I/C SFL BUT *CROSSED DRILED WITH CENTRE PLUG GUM95
BM11	20.02X54.8MM EXTERNAL CIRCLIP GUM92
BM560	22.06X64.5MM STAKED GUM85
BM511	25.01X77.8MM EXTERNAL CIRCLIP GUM76
BM39	25X76.5MM EXTERNAL CIRCLIP GUM91
BM40	25.02X63.8MM EXTERNAL CIRCLIP GUM81
BM512	26X68MM EXTERNAL CIRCLIP GUM84
BM56	27X65.3MM EXTERNAL CIRCLIP GUM77
BM50	27X81.7MM EXTERNAL CIRCLIP GUM73
BM50/1	27X81.8 SPICER ITALCARDANO SIDE LUBE
BM50/2	27X81.8MM H.D. METAL & RUBBER SEAL & THRUST WASHER
BM50/3	27X81.8MM H.D. AYRA SPICER TYPE - IVECO
BM50/4	27X81.8MM H.D. PLASTIC SEALS & THRUST WASHER
BM50/5	27X81.8MM H.D. METAL SHROUD & THRUST WASHER - HS152 HS152
BM739	28X49MM INTERNAL CIRCLIP SFL
BM66	28.5X77.9MM EXTERNAL CIRCLIP GUM86
BM215	30X55.1MM INTERNAL CIRCLIP GUM93
BM261	30X71MM INTERNAL CIRCLIP GUM96
BM499	SPICER O.E MITSUBISHI 30.2X106.3MM WITH LUBE
BM342	35X103.92MM EXTERNAL CIRCLIP - MITSUBISHI CANTOR GUI562
BM811	38X104MM - GUM82 GUM82
BM517	44X129MM EXTERNAL CIRCLIP GUM71
SLEEVE YOKE	
SL105.2	TRANSMISSION SLEEVE 39.6X152.4MM (25/26 SPLINE) 27.4X54MM I/C BM304
CENTRE BRG	
BMCB229	30X159X16MM MITSUBISHI L200 AS BMCB112 PLUS MTG BLOCKS
BMCB233	30X160X16MM MITSUBISHI L200 YEAR 2005+
BMCB112	30X161.5X16MM MITSUBISHI L200 81-92
BMCB148	30X190X15MM MITSUBISHI 3000GT / GALANT AWD
BMCB140	30X163X16MM MITSUBISHI / DODGE D50 PICKUP 4X2
FLANGE YOKE	
FY6.11	120X4X12MM Ø PCD=100MM MS=70MM H=55MM
FY6.15	120X4X12MM Ø PCD=100MM MS=70MM H=45MM
FY24.12	115X4X10.2MM H=58MM PCD=90MM BHC=69X58MM MALE SPIG=60MM

BM REF #	COMMENTS / DESCRIPTION
----------	------------------------

mitsubishi	
FY24.39	124X6X10.2MM Ø PCD=107MM MS=90MM H=58MM PAJERO
FY24.43	mitsubishi 133X4X12 H=58 MS=45MM PCD=105MM 74X74MM
FY24.53	mitsubishi 133X4X10MM H=58MM MS=45MM PCD=105MM 74X74MM
FIXED JOINT ASSY FOR PTO APPLICATIONS	
FE103.1	25X50BHC H=42MM MS=34MM, 8.2MM HOLES, TUBE BASE 46.8MM L=82MM TO SUIT BM473 UJ
SLIP JOINT ASSY FOR PTO APPLICATIONS	
SA103.1	25X50BHC H=42MM MS=34MM, 8.2MM HOLES, TUBE BASE 46.8MM L=234.5MM TO SUIT BM473UJ
COMP FLANGE	
CF6.4	120X4X12MM 70MM SPIGOT 100MM PCD 10 SPLINES FOR mitsubishi CANTOR
MID STUB	
MS6.3	3X.095" (USE WITH CF6.4) 10 SPLINES mitsubishi CANTOR
CV JOINT	
BMCV53	PAJERO 106MM PCD H = 127MM
BMCV63	OUTLANDER & L200 (3 BOLT) 30 SPLINES, TUBE BASE DIA. 47.7MM
SHAFT ASSY	
MITSUBISHI-7	MITSUBISHI SHOGUN # MR389334O.E. BRAND L=1557MM FL-EOS MR389334
MITSUBISHI-9	MITSUBISHI L200 # MR553798 AFM BRAND L=658MM FL-EOS MR553798 / MR980181
MITSUBISHI-29	MITSUBISHI FRECCA # SW602433-A2 AFM BRAND 950MM FL-EOS SW602433-A2
MITSUBISHI-31	MITSUBISHI PAJERO # 3401A019 AFM BRAND L=955MM FL-EOS 3401A019
MITSUBISHI-32	MITSUBISHI SPORT AUTO # MN107635F AFM BRAND L=1650MM FL-EOS MN107635F
MITSUBISHI-33	MITSUBISHI OUTLANDER # 3401A022 AFM BRAND L=2062MM FL-EOS 3401A022
MITSUBISHI-34	MITSUBISHI PAJERO # MB154224 AFM BRAND L.840MM FL-EOS MB154244
MITSUBISHI-35	MITSUBISHI L200 / PAJERO # MB580389 AFM BRAND L=882MM FL-EOS MB580389
MITSUBISHI-36	MITSUBISHI PAJERO # 3401A019 AFM BRAND L=955MM FL-EOS 3401A019 £114.00

BM REF #	COMMENTS / DESCRIPTION
----------	------------------------

NISSAN	
SERENA / LDV CUB	35MM DIA. SLEEVE / 22SPLINES + 2 MASTER
NISSAN-1	FLANGE 102X4X10MM / 81.25MM PCD / 50MM MALE SPIGOT (57X57MM) 735MM UJ CTR.LINES / 925MM OVERALL 2" TUBE DIA.- ORIGINAL
NISSAN-2	640MM UJ CTR.LINES / 833.5MM OVERALL 2" TUBE DIA. - ORIGINAL
NISSAN-4	480MM UJ CTR.LINES / 673.5MM OVERALL 2.5" TUBE DIA. - ORIGINAL
NISSAN-5	575MM UJ CTR.LINES / 770MM OVERALL 2" TUBE DIA. - ORIGINAL
LARGO	38MM DIA. SLEEVE / 102X4X10MM FLANGE YOKE
NISSAN-16	NISSAN LARGO 790MM FLANGE TO END OF SLEEVE / SL2.4 & FY2.10 BM195
TERRANO	42MM DIA. SLEEVE / 95MM PCD FLANGE YOKE (4X4 - REAR)
NISSAN-7	TERRANO II G2.4 750MM UJ CTR.LINES / 65MM TUBE / 1310 UJ
NISSAN-9	TERRANO II TD2.7 725MM UJ CTR.LINES / 65MM TUBE / 1310 UJ

BM REF #	COMMENTS / DESCRIPTION
NISSAN	
TERRANO	SLIDING SHAFT 102X4X10MM / 81.25MM PCD FLANGE YOKE (4X4 - FRONT)
NISSAN-AS/3	TERRANO II TD2.7 Lz.616MM / 65MM TUBE Ø / 1310 UJ OE # 37000-2X900
NISSAN-AS/12	TERRANO Lz.639M / 65MM TUBE Ø / 1310 UJ OE # 37200-2X800
CABSTAR	SLIDING SHAFT 67X67MM / 64.9MM SPIGOT
NISSAN-AS/6	CABSTAR L=997MM OVERALL / SWAGED TUBE 121X4X12MM O.E # 37000-011T10
NISSAN-AS/9	CABSTAR L= 1118MM OVERALL SE 1410SAE / FE 121X4X10 O.E. # 37300-9X502
CABSTAR	2-PC SHAFT / SLEEVE 35MM Ø 22/24 SPLINE / FLANGE (67/67MM)
NISSAN-15	CABSTAR FRONT L=659MM C/F UJ - C/L CTR BRG REAR L=760MM 1045MM C/L BRG TO FLANGE - SWAGED TUBE
CABSTAR	
NISSAN-20	CABSTAR L.2056MM O/A WITH CTR.BRG (OE REF 37000F3904)
CABSTAR	SINGLE SHAFT / SLEEVE 35MM Ø 22/24 SPLINE / FLANGE (67/67MM)
NISSAN-21	NISSAN CABSTAR L.1093.5MM O/A OE REF 37000F3905
CABSTAR	TWO PIECE SHAFT 1410SAE / 121X4X12MM FLANGES
NISSAN-27	NISSAN CABSTAR L.1502MM FRONT 623MM FL > C/L CTR BRG REAR 879MM C/L CTR BRG > FLANGE OE REF 37000-9X501
D21 / D22	2PC SHAFT / SLEEVE 42MM 28/30 SPLINE / FLANGE (67X67MM)
NISSAN-22	*ALT* NISSAN D21 / D22 OE REF 37300VK300 - 2PC SHAFT 65MM DIA TUBE / BMCB137
NAVARA	
31AS-19	NISSAN NAVARA D21/D22 FRONT Lz.647MM OE REF 37200-0W700
NISSAN-25	NISSAN NAVARA D21/D22 OE REF 37300EB401 1330 SRS ALUMINIUM TUBE FLANGE 136X4X12.6MM / - SL4.10 SLEEVE
NISSAN-AS/8	NISSAN NAVARA D40 FRONT Lz.792MM (2015) FLANGES 102X4X10MM
FY4.7	FORD RANGER / NISSAN 134X4X12.2MM PCD=108MM H=43MM 2-2-02313
QASHQAI / X/TRAIL	
NISSAN-AS/17A	NISSAN QASHQAI 2-PIECE # 37000-1DB07 AFM BRAND L=1990MM 37000-1DB07
NISSAN-AS/18A	NISSAN X-TRAIL 2-PIECE # 37000-4BA2A AFM BRAND L=2230MM 37000-4BA2A
NISSAN-AS/1A	NISSAN X-TRAIL 2 PIECE # 37000-8H310 AFM BRAND L=2035MM 37000-8H310
NISSAN-AS/10	NISSAN X-TRAIL / QASHQAI # 37000-JG70B O.E. BRAND L=1980MM 37000-JG70B
NISSAN-AS/10A	NISSAN X-TRAIL / QASHQAI # 37000-JG70B AFM BRAND L=1985MM 37000-JD000 37000-9V30BCA
FLANGE YOKE	
FY2.10	NISSAN 102X4X12MM 50MM SPIGOT / 81.25MM PCD H=45MM 57X57MM HOLES SPACING
FY3.23/1	102X4X10.2MM 81.25MM PCD 50MM SPIGOT 57X57MM HOLE SPACING (SERENA + LARGO) WIDE ANGLE H=55MM
FY3.43	110X4X10MM TOYOTA D/J FLANGE PCD=93.18MM SPIGOT=46MM BHC=70X61.5MM
FY3.44	110X4X10MM TOYOTA D/J FLANGE PCD=93.34MM SPIGOT=46MM BHC=66X66MM
FY3.70	110X4X10.2 TOYOTA H=59MM MS=46MM PCD=91MM 28° MAX ANGLE
FY3.22	116X4X10.2MM MITSUBISHI H=45MM PCD=90MM SPIGOT=60MM BHC=69X58MM
FY3.71	118X4X10.5MM MAZDA / KIA H=59 PCD=96.2MM MS=45MM BHC=68X68MM

BM REF #	COMMENTS / DESCRIPTION
NISSAN	
FY3.62	115X4X10MM MITSUBISHI DOUBLE JOINT PCD=90MM SPIGOT=60MM BHC=58X69MM
FY3.86	120X4X12.2MM NISSAN H=59MM PCD=95.25MM SPIGOT=50MM BHC=67X67MM
FY3.72	125X4X12.9MM NISSAN H=59MM MS=65MM PCD=107.5MM BHC=76X76MM
FY3.76	125X4X12.9MM NISSAN H=56MM FS=65MM PCD=107.5MM BHC = 76X76MM
SLEEVE YOKE TRANSMISSION	
SL2.11	1300 REV SLEEVE 35MM DIA (24 SPLINE)
SL3.14	1310 REV SLEEVE 35.96MM DIA 24 SPLINES L=136MM
SL3.17	NAVARA TRANSMISSION SLEEVE 1310 42X192MM (28/30 SPLINE)9
SL3.13	SERENA TRANSMISSION SLEEVE 35X153.6MM (22/24 SPLINE)
SL3.16	LARGO TRANSMISSION SLEEVE 1310 38X154MM (24/26 SPLINE)
SL3.18	NISSAN 300ZX REVERSE SLEEVE 42X159MM 28/30 SPLINE H=160MM
SL5.18	PATHFINDER 43.9MM Ø 30/32 SPL MAJOR SPLINE DIA. 1.378" (35MM)
U'JOINT	
BM12	20.07X52.4MM STAKED GUN45
BM17/1	20X35MM INTERNAL CIRCLIP (1XCAP END LUBE) GUN28
BM341	22.06X61.2MM STAKED ORIGINAL GUS01
BM380	22X37.6 / 39.6 INTERNAL CIRCLIP (SFL) GU2237 GU2237
BM449	24X64.2MM (SFL) NISSAN SERENA
BM42	25X40MM INTERNAL CIRCLIP GUN27
BM490	25X52MM INTERNAL CIRCLIP GUN34
BM344	27X46.1MM INTERNAL CIRCLIP GUN46
BM55	27X81.8MM EXTERNAL CIRCLIP GUN48
BM55/1	1310 C/w LARGER CROSS JOURNAL (PIN Ø 18.2M)
BM55/2	1310 (GMB GU-1000) SIDE LUBE GU-1000
BM432	1310 27X81.8MM & 28X56MM INTERNAL COMBINATION
BM61	28X53 INTERNAL CIRCLIP (END LUBE) GUN29
BM73	30.2X92.1MM EXTERNAL CIRCLIP GUN30
BM359	32X63.8MM INTERNAL CIRCLIP / NISSAN PATROL GUN35
BM514	NISSAN GUN31 c/w PLATES & BOLTS GUN31
BM515	35.5X119.2MM GUN32
CENTRE BRG	
BMCB137	30X16MM NISSAN 37521-57G26
BMCB138	30X150X12MM NISSAN 37521-33G25
BMCB141	30MM NISSAN 37521-W1025
BMCB144	50MM NISSAN 37510-Z2002/4
BMCB145	30MM NISSAN 37521-W1027 QASHQAI
MID ASSY	
MA24.4	132X4X12.2MM PCD 108MM - 65MM DIA MALE REGISTER 35MM Ø BRG 76.2X2.4MM Ø BRG TUBE - NISSAN



MA24.4

BM REF #	COMMENTS / DESCRIPTION
----------	------------------------

PIAGGIO PORTER		
SHAFT ASSY	29MM DIA SLEEVE/ 19 SPLINES + 2 MASTER SPLINE	
	FLANGE 80.6MM PCD C/w 4 x 10.35MM BOLT HOLES	
DAIHATSU-1	SHAFT SET (UNWELDED)	
DAIHATSU-2	OVERALL LENGTH = 498MM	37110-87Z19-4
DAIHATSU-4	OVERALL LENGTH = 515MM	37110-87Z24
DAIHATSU-10	OVERALL LENGTH = 640MM TOYOTA KEMBARA	37140-87404

BM REF #	COMMENTS / DESCRIPTION
----------	------------------------

PORSCHE	
CENTRE BRG	30X160X15MM H=48MM PORSCHE PANAMERA

BM REF #	COMMENTS / DESCRIPTION
----------	------------------------

RENAULT		
RENAULT-1	FLANGES 112X4X8.2MM 91MM OCD MALE SPIGOT 74MM (64.5X64.5MM) KANGOO (4X4) OEM SPECIFICATION O.E # 8200149811 LENGTH 1978MM FRONT 680MM FL > C/L CTR BRG - MIDDLE 753MM CTR BRG C/L	
RENAULT-1D	KANGOO (4X4) AFTERMARKET O.E # 8200149811 LENGTH 1978MM	82000149811
RENAULT-4	RENAULT MASTER O.E. REF 8200987034	
RENAULT-5	RENAULT MASTER O.E. REF 8200987033	
RENAULT-6	RENAULT MASTER O.E. REF 8200958092	
RENAULT-DAMPER	RENAULT KANGOO (TREKKA 4X4) DAMPER	
RENAULT-BOLT	RENAULT KANGOO (TREKKA 4X4) BOLTS FOR DAMPER ABOVE	
CENTRE BRG		
BMCB212	30X130X15MM KANGOO C/w PLASTIC COVER TUBE & SEAL	
BMCB212A	30X130X15MM KANGOO	
BMCB228	45X168.5X19MM RENAULT MASTER O.E. # 37525191R	
BMCB215	30X132X13MM SCENIC	
BMCB306	45X168X16MM (OEM) RENAULT MASTER	
RENAULT		
BMCV51	KANGOO W/o ABS 28 SPLINE - C/w FITTING KIT	

BM REF #	COMMENTS / DESCRIPTION
----------	------------------------

SSANGYONG MUSSO		
	SLIP ASSY FLANGE 115X4X12.2MM FEMALE SPIGOT Ø 50.8MM (63X63MM)	
PROPSHAFT	FIXED END FLANGE 117X4X10.2MM MALE SPIGOT Ø 65MM (50X69MM)	
33100-05701	SSANGYONG MUSSO PROPSHAFT Lz.668MM	
33100-05620	SSANGYONG MUSSO PROPSHAFT Lz.755MM	
33200-06701	SSANGYONG MUSSO PROPSHAFT Lz.915MM (33200-06800)	
33200-05701	SSANGYONG MUSSO PROPSHAFT Lz.1065MM	
33200-06780	SSANGYONG MUSSO PROPSHAFT Lz.1070MM	
33200-07000	SSANGYONG MUSSO PROPSHAFT Lz.1203MM	
33200-08120	SSANGYONG MUSSO PROPSHAFT Lz.1215MM 115/4-12MM - 107/4-10MM	33200-08120
33200-08300	SSANGYONG MUSSO PROPSHAFT Lz.1250MM	
	DOUBLE JOINT 117X4X12.5MM FEMALE SPIGOT 50.8MM (63X63MM)	
	PLUNGE JOINT END 110X4X10.2MM MALE SPIGOT 65MM (50X69MM)	
SSANGYONG-2	SSANGYONG MUSSO PROPSHAFT Lz.685MM	33100-05850
	113X4X12MM GUIBO / FLANGE 110X6X10MM	
SSANGYONG-12	SSANGYONG REXTON Lc=630MM 40MM SLIP	33100-09501
DOUBLE JOINT		
DJ3.2	SSANGYONG MUSSO 105X4X12.5MM /TUBE 63.5X2.4MM	

BM REF #	COMMENTS / DESCRIPTION
----------	------------------------

SSANGYONG MUSSO	
CENTRE BRG	
BMCB238	SSANGYONG KYRON 30X45X16MM H=105MM
BMCB239	SSANGYONG ACTYON 30X45X15MM H=99MM
BMCB240	SSANGYONG ACTYION SPORT 30X45X16MM H=73MM
BMCB241	SSANGYONG MUSSO / KORANDO 30X45X16MM M12X1.25MM H=119MM
BMCB242	SSANGYONG REXTON 30X47X16MM M12X1.25 H=80MM
BMCB243	SSANGYONG MUSSO SPORTS 30X45X15MM M12X1.25MM
BMCB244	SSANGYONG RODIUS 30X160X16MM H=61MM

BM REF #	COMMENTS / DESCRIPTION
----------	------------------------

SUBARU	
U'JOINT	
BM473	25X40.4MM INTERNAL CIRCLIP END LUBE GUSR4
BM61	28X53MM INTERNAL CIRCLIP GUSR3
FLANGE	
FY103.1	25X40.4MM I/C 50MM SPIGOT / PCD 75.7MM H=44.5MM
SLEEVE YOKE	
SL103.1	25X40.4MM I/C TRANSMISSION SLEEVE 35X149.2MM (22/24 SPLINES)
TUBE YOKE	
TY103.1	25X40.4MM I/C 54.3MM BASE Ø TUBE H=44.5MM
CENTRE BRG	
BMCB160	30X174X16MM SUBARU
BMCB235	30X175X15MM SUBARU IMPREZA
BMCB336	30X179X13MM SUBARU IMPREZA

BM REF #	COMMENTS / DESCRIPTION
----------	------------------------

SUZUKI	
SHAFT ASSY	
SUZUKI-3	40MM DIA. SLEEVE 24/26 SPLINES / 84.86MM PCD FLANGE YOKE (25X64MM UJ) 722MM UJ CTR.LINES / 896MM OVERALL 2" TUBE DIA (27102B-60A01)
SUZUKI-4	506MM UJ CTR.LINES / 680MM OVERALL 2" TUBE DIA (27101-85C01)
SHAFT ASSY	
SUZUKI-1	79.2MM PCD FLANGE YOKE 8.2MM BOLT (45MM REGISTER) 710MM FFC / 2" TUBE DIA
SUZUKI-2	508MM FFC / 2" TUBE DIA
SUZUKI-5	853MM FFC / 2" TUBE DIA
SHAFT ASSY	
SUZUKI-6	60/60MM BOLT SPACE FLANGE YOKE 10.2MM BOLT (45MM REGISTER) 110X4X10MM 1140SRS 758MM / 2" TUBE DIA."
SHAFT ASSY	
SUZUKI-7	40MM DIA. SLEEVE 16 SPLINES / 84.86MM PCD FLANGE YOKE (25X64MM UJ SIZE) 896MM OVERALL 2" TUBE DIA (27102-60A11)
FLANGE YOKE	
FY104.2	25X63.8MM 45MM SPIGOT / 60X60MM PCD 84.68MM H=39.7MM (10.2MM BOLT)
FY104.4	25X63.8MM 45MM SPIGOT / 56X56MM PCD 79.2MM H=39.7MM (8.2MM BOLT)
SLEEVE YOKE	
SL104.2	25X63.8MM TRANSMISSION SLEEVE 32X112.4MM (21/23 SPLINES) £43.05
TUBE YOKE	
TY104.3	25X63.8MM 50.8X2.1MM TUBE H=40MM
U'JOINT	
BM17/1	20.01X35 / 38MM INTERNAL CIRCLIP GUS28
BM853	20X56.9MM STAKED OE SUZUKI SFL
BM522	20.06X59.8MM STAKED GUS6
BM415	30.15X52.4/55.5MM JEEP CHEROKEE 5-297X
BM40	25X63.8MM EXTERNAL CIRCLIP GUS7
BM305	25X64MM EXTERNAL CIRCLIP GUH02

BM REF #	COMMENTS / DESCRIPTION	
TOYOTA		
SHAFT ASSY		
RAV4/2	TOYOTA RAV4 # 37100-42090AFM BRAND L=2270MM FF	37100-42090
RAV4/3	TOYOTA RAV4 # 3710042060 AFM BRAND L=1980MM FL-EOS	37100-42060
TOYOTA/28	TOYOTA 2 PIECE AFM BRAND L=1635MM FL-EOS	
HILUX-2P	TWO PIECE O/A LENGTH 1368MM FRONT MID = 605MM REAR = 763MM	37100-35500
HILUX-2P/1	TWO PIECE O/A LENGTH - FRONT 650MM FL > C/L CTR BRG BMCB206	37100-OK260-A
	REAR - 880MM C/L UJ > FLANGE CLOSED 1330SRS END LUBE UJS	GENUINE O.E UNIT
HILUX-2P/1A	FLANGE 115X4X12.2MM 66X66MM BHC H=42MM 46MM SPIGOT TWO PIECE O/A LENGTH - FRONT 650MM FL > C/L CTR BRG BMCB206	37100-OK260-A
	REAR - 880MM C/L UJ > FLANGE CLOSED 1330SRS END LUBE UJS	ALTERNATIVE UNIT
HILUX-2P/2	FLANGE 115X4X12.2MM 66X66MM BHC H=42MM 46MM SPIGOT TWO PIECE O/A LENGTH -1330 SRS END LUBE UJS	37100-OK660
	FLANGE 115X4X12.2MM 66X66MM BHC H=42MM 46MM SPIGOT	GENUINE O.E UNIT
HILUX-FRONT	FRONT SHAFT Lz. 620MM C/w DJ ASSY 10.3MM (DJ68.1) - IMPORT	
HILUX-FRONT/5	FRONT SHAFT Lz. 620MM C/w DJ ASSY 10.3MM (DJ68.1) BHC=60XX69MM	
HILUX-FRONT/5A	FRONT SHAFT Lz. 620MM C/w DJ ASSY 10.3MM (DJ68.1) BHC=60XX69MM	
HILUX-FRONT/1	FRONT SHAFT Lz. 620MM C/w DJ ASSY 10.3MM (DJ68.2)	
HILUX-FRONT/9	FRONT SHAFT HILUX VIGO # 37140-0K030 AFM BRANDL=600MM FFC	
SHAFT ASSY FROM GEARBOX		
HILUX-FRONT/2	TOYOTA HILUX FRONT SHAFT L. 605MM C/w BMCB71 BRG.	
HILUX-REAR	TOYOTA HILUX REAR SHAFT Lz. 760MM 84.84MM PCD	
HILUX-REAR/2	TOYOTA HILUX REAR SHAFT Lz. 815MM C/w DJ ASSY 10.3MM (DJ68.3) 60X60MM	37110-3D530
HILUX-FRONT/4	FRONT SHAFT @ 535MM FF SWAGED TUBE	37120-35890
SLEEVE YOKE		
SL68.1	SLEEVE YOKE 29X49MM H=195MM 20 SPLINE USE WITH SS68.1	
SL68.4	SLEEVE YOKE 29X49MM I/C H=191.5MM USE WITH SS68.2 & ST68.2	
SL68.5	SLEEVE YOKE 29X49MM I/C H=214MM HEAVY /DUTY 38MMX 16 RILSAN COATED SPLINE USE WITH SS68.3 + ST68.3 **HILUX**	
SLIP STUB		
SS68.1	65X1.6MM Ø TUBE H=190MM USE WITH SL68.1 C/w SEAL TUBE	
SS68.2	65X1.6MM Ø TUBE H=198MM USE WITH SL68.4 & ST68.2	
SS68.3	65X1.6MM Ø TUBE H=195MM H/DUTY 38MM X 16 SPL USE WITH SL68.5 + ST68.3	
SEAL TUBE		
ST68.1	SEAL TUBE H=134MM USE WITH SS68.1 & SL68.1	37305-35020
ST68.2	SEALTUBE H=134MM X 44.7MM USE WITH SS68.2 & SL68.4	
ST68.3	SEAL TUBE USE WITH SS68.3 & SL68.5	
TRANSMISSION SLEEVE		
SL68.2	TOYOTA SUPRA (40MM Ø H=155MM) 23 SPLINE * UJ 29X49MM I/C BM68	
SL68.3	TOYOTA (38MM Ø H=155MM) 21 SPLINE * UJ 29X49MM I/C BM68	
SL3.20/1	TOYOTA (38MM Ø H=152MM) 21 SPLINE W/ANGLE 2-3-11661X	
SL3.28	TOYOTA (40MM Ø H=146MM) 23 SPLINE 2-3-11721X	
SL108.1	TOYOTA (31.9MM Ø H=146MM) 20/22 SPLINE * UJ 26X42-46.9MM I/C BM68	

BM REF #	COMMENTS / DESCRIPTION	
TOYOTA		
FLANGE YOKE		
FY68.1	10.3MM BOLT HOLES ON 84.84MM PCD 60X60MM SPACING **HILUX**	
FY68.6	10.3MM BOLT 66X66MM HOLE SPACING 93.34MM PCD 46MM SPIGOT PIN YOKE TO SUIT DJ68.5	
FY3.17	105X4X10MM TOYOTA HILUX 84.84MM PCD 60X60MM H=42MM	
FY3.42	105X4X10MM TOYOTA D/J FLANGE YOKE 84.85MM PCD 46MM SPIGOT 60X60MM	
FY3.43	110X4X10MM TOYOTA D/J FLANGE YOKE 93.18MM PCD 46MM SPIGOT 70X61.5MM	
FY3.44	110X4X10MM TOYOTA D/J FLANGE YOKE 93.34MM PCD 46MM SPIGOT 66X66MM	
FY99.3	112X4X11.2MM PCD =91MM 32X61MM I/C 68X60MM MALE SPIGOT = 46MM	37315-36010
FY4.8	116X4X12.2MM PCD=93MM BHC=66X66 MALE SPIGOT = 46MM H=42MM	
FY4.10	116X4X11.2MM PCD=93MM BHC=66X66MM MALE SPIGOT = 46MM H=43MM	
TUBE YOKE		
TY68.1	29X49MM I/C 61.85MM BASE **HILUX**	37302.35021
TY99.1	32X61MM I/C 61.85MM BASE **LANDCRUISER**	37302.3601
TY108.1	26X42-46.9MM I/C 60.1MM BASE	
DOUBLE JOINT ALL WITH 61.85MM BASE		
DJ68.1	10.3MM BOLT HOLES 60X69MM HOLES 95MM PCD HILUX 46MM SPIGOT	TDJ002
DJ68.2	10.3MM BOLT HOLES 61.4X70MM HOLES 92.8MM PCD HILUX/LANDCRUISER 46MM SPIGOT	TDJ004
DJ68.3	10.3MM BOLT HOLES 60X60MM SPACING 84.7MM PCD 46MM MALE SPIGOT TUBE BASE DIA 62.25MM	
DJ3.12	TOYOTA HILUX 1310 PCD=93.34MM MS=46MM 11.2MM BOLT HOLES BHC=66X66MM TUBE Ø 63.5X2.4MM H=181MM	
DJ3.13	TOYOTA HILUX 1310 PCD=84.85MM MS=46MM 11.2MM BOLT HOLES HC=60X60MM TUBE Ø 63.5X2.4MM H=181MM	
BALL KIT		
12BK	TOYOTA HILUX 12MM BALL KIT	
13BK	TOYOTA HILUX 13MM BALL KIT	
MID ASSY		
MA68.1	TOYOTA MID ASSY "MULTIFIT" TO SUIT 30MM CTR BRG STUB BASE 62MM SUITS 65X1.6MM TUBE / 27 SPLINES (SPL Ø 28MM) COUPLING FLANGE Ø 115MM / FEMALE SPIGOT = 46MM 12 OFF BOLT HOLES DRILLED TO SUIT BOLT HOLE SPACING - 66X66MM (11MM BOLT HOLES 60X68MM (11MM BOLT HOLES) 60X60MM (10MM BOLT HOLES) NUT & WASHER INCLUDED	
MA68.2	TOYOTA MID ASSY MID STUB & COUPLING FLANGE TO SUIT 30MM CTR BRG STUB BASE 62MM SUITS 65X1.6MM TUBE / 27 SPLINES (SPL Ø 28MM) COUPLING FLANGE Ø 115MM / FEMALE SPIGOT = 46MM DRILLED TO SUIT BOLT HOLE SPACING - 60X60MM (11MM HOLES) NUT & WASHER INCLUDED, USE WITH BMCB71 & BMCB187	
MA4.1	TOYOTA MIDASSY 1330 SRS ENDLUBE C/w 30MM BRG - 60MM WELD TO C/L BRG + 97MM C/L BRG TO UJ CTR BRG 30X147X13MM	
U'JOINT		
BM14	20X57MM EXTERNAL CIRCLIP	GUT11
BM18	22.06X57.5MM STAKED	GUT24
BM44	26X42/46.9MM INTERNAL CIRCLIP	GUT13

BM REF #	COMMENTS / DESCRIPTION	
TOYOTA		
BM45	26X53.6MM INTERNAL CIRCLIP	GUT12
BM66	28.5X77.9MM EXTERNAL CIRCLIP	GUT14
BM223	TOYOTA / HILUX 2060V CENTRE LUBE & LUBE IN 1 X CAP	2060V
BM486	TOYOTA 1 X LUBE IN END CAP	HS435
BM68	29X49MM INTERNAL CIRCLIP STANDARD	GUT23
BM68A	29X49MM INTERNAL CIRCLIP / PREMIUM TYPE	
BM213	29X49MM INTERNAL CIRCLIP / END LUBE	GUIS71
BM340/1	29X49MM INTERNAL CIRCLIP / NON LUBE SFL	
BM162	32X61MM INTERNAL CIRCLIP FOR TOYOTA LANDCRUISER	GUT20
BM84	34X107MM EXTERNAL CIRCLIP	GUT15
BM516	39.98X118MM EXTERNAL CIRCLIP	GUT16
CENTRE BRG		
BMCB316	30X125X10MM HILUX OE REF # 37230-0K050	
BMCB661	30X125X12MM DYNA OE REF # 37230-36060 (SEE PIC # 123)	
BMCB150	30X147X13MM CRESSIDA (78-5/85) 37230-22042 (SEE PIC # 69)	
BMCB143	30X148X12MM TOYOTA 4X2 (84-95) 37230-35070 BRG.T5 (SEE PIC # 69)	
BMCB97	30X150X12MM 37230-26020 (SEE PIC # 71)	
BMCB187	30X150X13MM 37230-35130 (SEE PIC # 62)	
BMCB139	30X150X13MM TOYOTA 4X4 (90+) 37230-35090 D/LIP SEAL BRG.T4 (SEE PIC # 63)	
BMCB142	30X162X13MM CRESSIDA 30X162X13MM 78-5/85) 37230-22042 (SEE PIC # 68)	
BMCB297	30X184X13MM TOYOTA RAV4 37230-29025	
BMCB71	30X230X10MM HILUX 4X4 30X230MM 37230.35080 (SEE PIC # 10)	
TUBE		
TUBE66.6X2.41	TUBE 66.6 X2.41MM Ø HILUX **SOLD IN 58" LENGTHS**	PER 58"
TUBE66X2	TUBE 66X2MM Ø HILUX	
BM REF #	COMMENTS / DESCRIPTION	
VAUXHALL		
SHAFT ASSY		
VAUXHALL-3	OPEL ANTARA/ CHEVY CAPTIVA Lc.1980MM 115X4X11MM / 99.6X6X8MM	20781756 / 96624771
VAUXHALL-4	INSIGNIA PROPSHAFT OEM UNIT	22756607
CENTRE BRG		
BMCB201	30X96X13MM VAUXHALL OMEGA & SENATOR (SEE PIC # 105)	
BMCB202	30X96X13MM VAUXHALL OMEGA (SEE PIC # 106)	
BMCB273	30X191X13MM VAUXHALL ANTARA & CHEVY CAPTIVA	96624771
BMCB326	30X237X15MM VAUXHALL MOKKA	
BMCB324	30X268X13MM VAUXHALL INSIGNIA 4X4 REAR	1309769
BMCB325	30X320X13MM VAUXHALL INSIGNIA 4X4 FRONT	

BM REF #	COMMENTS / DESCRIPTION
----------	------------------------

VOLKSWAGEN

FLANGES 117X4X10.2 - 65.3MM MALE SPIGOT / 69.6MM HOLE C/L / 98.2MM PCD

SHAFT ASSY AMAROK

AMAROK-1	VW AMAROK TWO-PIECE L.1692MM	2H0521102N
AMAROK-2	VW AMAROK TWO-PIECE L.1586MM	2H0521102AT
AMAROK-3	VW AMAROK TWO-PIECE L.1972MM	2H0521102AR

AXLE END = CV JOINT DIA=99.5MM / GEARBOX END = 3 BOLT 110MM PCD

SHAFT ASSY TOUAREG

VOLKSWAGEN/1	VW TOUAREG / AUDI Q7 Lz.1246.4MM O.E SPEC	7L6521102
VOLKSWAGEN/1A	VW TOUAREG / AUDI Q7 Lz.1246.4MM AFM	7L6521102
VOLKSWAGEN/2	VW TOUAREG / AUDI Q7 Lz. 694.3MM 7L6521101 C/E/G	7L6521101
	O.E SPEC	C/E/G
VOLKSWAGEN/3	VW TOUAREG / AUDI Q7 Lz. 631.9MM 7L0521101A/B/C/D	
	O.E SPEC	7L0521101A/B/C/D
VOLKSWAGEN/4	VW TOUAREG / AUDI Q7 Lz. 1185.2MM 7L6521102B/C/D/E/F/H	
	O.E SPEC	7L6521102B/C/D/E/F/H
VOLKSWAGEN/4A	VW TOUAREG / AUDI Q7 Lz. 1185.2MM AFM	7L6521102
		B/C/D/E/F/H
VOLKSWAGEN/11	VW TOUAREG / PORSCHE CAYENNE FRONT L.631.9MM	7L0521101
	C/w CVs	A/B/D
VOLKSWAGEN/10	VW TRANSPORTER T4 SYNCRO BUS L.955MM FRONT	
	O.E SPEC	7D0521103
VOLKSWAGEN/13	VW TOUAREG / AUDI Q7 Lz.1550MM 7L8521102G/L/S	
	O.E SPEC	7L8521102G/L/S
VOLKSWAGEN/13A	VW TOUAREG / AUDI Q7 Lz.1550MM 7L8521102G/L/S AFM	7L8521102G/L/S

C.V. JOINTS

BMCV38	VW TOUAREG 100X6X8MM PLUNGING TYPE 7153130198015	
	TOUAREG REAR	
BMCV38/1	VW TOUAREG 100X6X8MM PLUNGING CV MID ASSY	
	C/w CTR BRG	
6153139600063	BOOT KIT FOR BMCV38	
BMCV57	VW TOUAREG REAR (DIFF END) CV JOINT ASSY C/w STUB	
	TUBE BASE 66.5MM CV SIDE / 45.25MM BRG SIDE	
BMCV71	VW CARAVELLE CV JOINT 86X6X8MM	7353080191700
BMCV72	VW CARAVELLE CV JOINT 100X6X10MM	71531301980170
BOOT/5	RUBBER BOOT & SHIELD TOUAREG/CAYENNE CENTRE CV	
BOOT/8	RUBBER BOOT ONLY TOUAREG/CAYENNE CENTRE CV	
BOOT/7	VW TOUAREG CV JOINT BOOT & SHIELD	

SHAFT ASSY TIGUAN

VOLKSWAGEN/5	VOLKSWAGEN TIGUAN Lz.2160MM 2 PC SHAFT	
	OE # 5N0521101E	5N0521101E

SHAFT ASSY TRANSPORTER

VOLKSWAGEN/7	L = 1947MM VW OE REF # 7H3521102A 100X6X10MM CV JOINTS	
	86MM PCD	
VOLKSWAGEN/8	L = 1582MM VW OE REF # 7H1521102A 100X6X10MM CV JOINTS	
	86MM PCD	
VOLKSWAGEN/9	L=820MM VW T5 TRANSPORTER L.820MM FRONT	

SHAFT ASSY

	LT 35/45/50
VOLKSWAGEN LT	LENGTH 1586MM OE REF # 291 521 101FX
VOLKSWAGEN LT	LENGTH 1592MM OE REF # 295 521101LX
VOLKSWAGEN LT	LENGTH 1592MM OE REF # 295 521 101LX
VOLKSWAGEN LT	LENGTH 1619MM OE REF # 295 521 101KX

BM REF #	COMMENTS / DESCRIPTION
----------	------------------------

VOLKSWAGEN

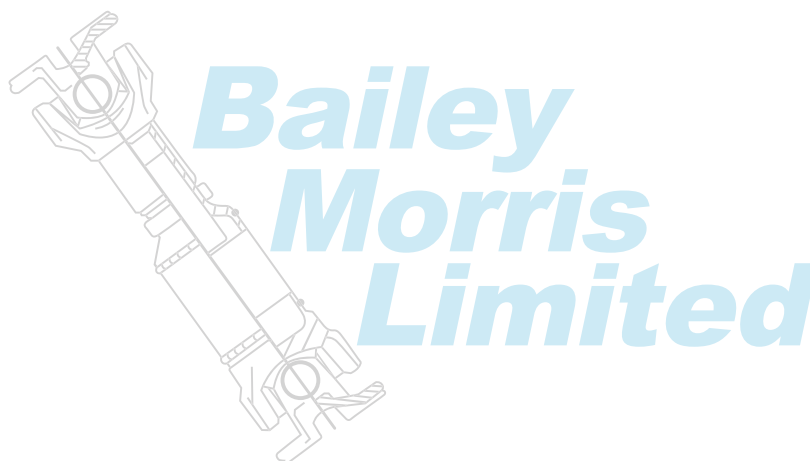
VOLKSWAGEN LT	LENGTH 1800MM OE REF # 295 521 101X	
VOLKSWAGEN LT	LENGTH 1820MM OE REF # 295 521 101AX	
VOLKSWAGEN LT	LENGTH 2293MM OE REF # 295 521 101NX	
SHAFT ASSY KRAFTER		
2D0521101AB	LENGTH = 2093MM OE REF # 2D0521101AB VW LT & MERC SPRINTER TUBE Ø = 70MM BOTH SECTIONS	
2D0521101AD	LENGTH = 1775MM OE REF # 2D0521101AB VW LT & MERC SPRINTER	
2D0521101N	LENGTH = 2188MM OE REF # 2D0521101N VW LT & MERC SPRINTER SWAGED TUBES 70 / 90 MM	
2E0521293H	LENGTH =2748MM 132X4X10 (FRONT=1060MM) A9064109906 SWAGED TUBES	
2E0521101AK	LENGTH =2843MM 132X4X10 (FRONT = 1128MM) A9064102016	
2E1521293	LENGTH =2850MM 132X4X10 (FRONT = 1130MM) A9064104406 SWAGED TUBES	
COUPLINGS		
FC-1	FLEXIBLE COUPLING VOLKSWAGEN TOUAREG BUSH DIA = 31MM Ø O.D = 152MM - BOLT Ø = 12MM/ PCD = 110MM / PIN Ø = 16MM	
CENTRE BRG		
BMCB08	VW LT 30X135X12MM O.E REF 6174100116140 (SEE PIC # 49)	
BMCB198	VW TOURAEG 30X68X20MM H = 70MM M8 BOLT HOLES (SEE PIC # 107)	O.E.GENUINE
BMCB198A	VW TOURAEG 30X68X19MM H = 70MM M8 HOLES (PIC # 107)	ALTERNATIVE
BMCB272	VW TOUAREG 35X135X13MM	
BMCB285	VW TRANSPORTER T5 30X148X15.5MM (LOW BOW) (PIC # 157)	O.E.GENUINE
BMCB286	VW TRANSPORTER T5 30X162X15.5MM (HIGH BOW)	O.E.GENUINE
BMCB290	VW AMAROK 30X168X15MM	ALT
BMCB250	TIGUAN ORIGINAL 30X400X15MM OE # 2153124300	O.E.GENUINE
BMCB250A	TIGUAN ALTERNATIVE 30X410X15MM TO ORIGINAL	ALTERNATIVE

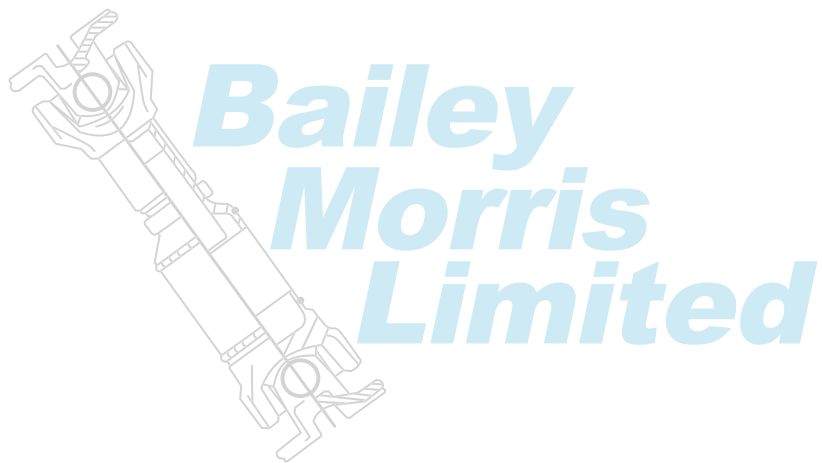
BM REF #	COMMENTS / DESCRIPTION
----------	------------------------

VOLVO CAR PROPSHAFTS

KUGA-1	VOLVO XC60 3 SECTION PROPSHAFT L=2010MM C/w CV JOINTS	1541780 / 21356426
VOLVO-CAR/3	VOLVO 2P XC70 V70 (CV=86X6X8MM) (AFM)	9480702
VOLVO-CAR/5	VOLVO (XC90) (4X4) AFM	30735027
VOLVO-CAR/7	VOLVO 4X4 V70 FRONT - FRICTION WELD C/L = 661MM REAR - FRICTION WELD C/L = 755MM CVs=86X6X8MM PCD=74MM BMCV11, BMCB155	9463300
VOLVO-CAR/11	FRONT - 1158MM WELD CTRS / REAR - 707MM WELD CTRS / XC70 V70 CVS 86X6X8MM	30783345
VOLVO-CAR/12	60MM TUBE	31256272
VOLVO-CAR/13	UJ BEFORE CTR.BRG	30713371
VOLVO-CAR/14	REAR - 707MM FRICTION WELD CENTRES	30783365
VOLVO-CAR/15	VOLVO 2P XC60 3L L=2150MM (AFM) 31259593	31256001
VOLVO-CAR/16	VOLVO S6 V70 XC90 Lb=2210MM CV JOINTS=78X6X8MM (AFM)	31302006
VOLVO-CAR/17	VOLVO 3P 2.5L XC90 Lb=2150MM CV=78X6X8MM (AFM) 31367159	31367461

BM REF #	COMMENTS / DESCRIPTION
VOLVO	CAR PROPSHAFTS
CENTRE BRG	
BMCB133	CENTRE BRG 25X75X12MM VOLVO V70 (SEE PIC # 39)
BMCB155	CENTRE BRG 30X58X12MM VOLVO S70 / V70 (SEE PIC # 50)
BMCB211	CENTRE BRG 30X93X16MM VOLVO V70 4X4 WD (SEE PIC # 139)
BMCB147	CENTRE BRG 35X80X13MM VOLVO 740 & 760 (SEE PIC # 15)
BMCB279	CENTRE BRG 30X118X13MM VOLVO XC70 5114102081
C.V JOINT ASSEMBLIES	
BMCV15	VOLVO CV JOINT (78MM O/A - 65MM PCD) USE WITH DL5074 LOBRO REF
BMCV11	VOLVO CV JOINT (86MM O/A - 74MM PCD) USE WITH DL1418-86B LOBRO REF # 7153050177001
BMCV14	VOLVO CV JOINT (94MM O/A - 80MM PCD) USE WITH DL5074 LOBRO REF # 7153100177006
BMCV17	VOLVO CV JOINT (86MM DIA (74MM PCD) 19 SPL INES- C/w BOOT
DL1418-78B	VOLVO CV SHROUD & RUBBER (USE WITH BMCV15)
DL1418-86B	VOLVO CV SHROUD & RUBBER (USE WITH BMCV11)
DL5074	VOLVO CV SHROUD & RUBBER (USE WITH BMCV14)





FORD RANGER & TRANSIT STYLE COMPONENTS



BM REF #	COMMENTS / DESCRIPTION
FORD RANGER	
RANGER	FORD RANGER & MAZDA 1310 SRS REAR 2-PIECE L=1600MM FRONT SECTION = 495MM FLANGE > BRG C/L REAR SECTION = 1110 MM C/L BRG > FLANGE COMPRESSED
RANGER/1	FORD RANGER TRANSFER BOX TO FRONT AXLE 470MM UJ CTRS FLANGE = 106X4X8MM * 63X63MM HOLE CL / 5MM Ø SPIGOT H=40MM TO MALE SPLINE H=245MM (FORD STANDARD 25 SPLINE) YS112.1
RANGER/2	FORD RANGER 1330 SRS TRANSFER BOX TO REAR AXLE 2 PIECE OVERALL LENGTH = 1600MM COMPRESSED
RANGER/3	FORD RANGER 1330 SRS 2 PEICE PROPSHAFT L=1445MM OVERALL FRONT: FLANGE - C/L CTR BRG = 395MM REAR: 1050MM C/L CTR BRG - FLANGE COMPRESSED
RANGER/4	FORD RANGER & MAZDA FRONT 1310 SRS (4X4 FRONT) L=660MM
RANGER/6	FORD RANGER 2 PIECE 1330 SRS L=1600MM FRONT: FLANGE - C/L CTR BRG = 587.6MM REAR: 1012.3MM C/L CTR BRG - FLANGE COMPRESSED
SLIP ASSY	
SA4.1	SLIP ASSY 1330 3X.082W" FORD RANGER ALT H=166MM, La.60MM
FLANGE YOKE	
FY3.24	FORD RANGER & MAZDA 1310 H=45 MS=45 PCD=104.6 BHC=74X74 MM 2-2-1859 C/w 2 TAPPED HOLES FOR VIBRATION DAMPER
FY4.12	FORD RANGER / NISSAN 1330 132X4X12.2MM PCD=108MM, H=41.4MM, FS=65MM (5MM DEEP), BHC=76X76MM
FY4.13	FORD RANGER / NISSAN 1330 132X4X12.2MM PCD=108MM, H=43.4MM, FS=65MM (7MM DEEP), BHC=76X76MM
FY4.7	FORD RANGER / NISSAN 134X4X12.2MM PCD=108MM H=43MM FS=65MM BHC=76X76MM
U'JOINT	
BM681	FORD RANGER 27X92.1MM END LUBE SPICER 5-812X
MID ASSY	
MA4.2	FORD RANGER MID ASSY 3"X.095" BMCB260 - 1350 SRS
MID STUB	
MS4.2	MID STUB 1330 RANGER ALT USE WITH EY4.2 H=56.5MM 63.5X2.1MM 2.50X.082" TUBE
MID YOKE	
EY4.1	1330 MID YOKE FORD RANGER 2P PROPSHAFT
EY4.2	1330 MID YOKE FORD RANGER (2P PROPSHAFT) ALT H=84.2MM USE WITH MS4.2

BM REF #	COMMENTS / DESCRIPTION
----------	------------------------

FORD RANGER	
CENTRE BRG	
BMCB205	FORD RANGER 28X181X15MM (SEE PIC # 127)
BMCB149	FORD RANGER 30X150X13MM (SEE PIC# 74)
BMCB177	FORD MAVERICK 30X175X15.5MM (AUTO) (SEE PIC # 99) ORIGINAL
BMCB178	FORD MAVERICK 30X175X15.5MM (MANUAL) (SEE PIC # 99) ORIGINAL
BMCB260	FORD RANGER 3 & MAZDA 35X180X14MM - ORIGINAL
BMCB260A	FORD RANGER 3 & MAZDA 35X180X14MM - ALTERNATIVE
BMCB266	FORD RANGER 35X163X14MM (SEE PIC # 141) OE REF # SA12-25-300

BM REF #	COMMENTS / DESCRIPTION
----------	------------------------

27 X 74.6MM UJ FORD TRANSIT	
SHAFT ASSY	2-PIECE DESIGN
	WITH 30MM BRG (FLANGES 120/4-12 * 109/4-10)
TRANSIT-2P	SWAGED REAR L=1979MM TRANSIT 80/100 SWB (95VB4K145GB) FINIS REF 1063328
SHAFT ASSY	WITH 30MM BRG / 94MM DIA CV JOINT (120/4-12 * 109/4-10)
TRANSIT-2P/9	L=2114MM (88VB4K145DC) FINIS REF 6188680
SHAFT ASSY	3-PIECE DESIGN
	WITH 30MM BRGS (FLANGES 120/4-12)
TRANSIT-3-PIECE	L=2695MM 190 LWB c/w 30MM CTR BRGS 92VB4K357BKD
FLANGE YOKE	
FY2.1	FORD 109X4X10 57MM SPIGOT 3002.1409 H=40MM
FY2.2	FORD 120X4X12 40MM SPIGOT 3002.1429 H=40MM
FY2.4	FORD 120X4X12 56MM SPIGOT 3002.1449 H=40MM
MID STUB	
MS1.5	TRANSIT 2X.064" TUBE Ø (USE WITH MY1.5)
MS1.9	TRANSIT 1140 2.1X.095" TUBE Ø 23 SPLINES (USE WITH MY1.5 & 30MM BRG) TIRSAN
MS2.1/1	TRANSIT LONG MID STUB / 2X.095" USE WITH MY2.1/1 & MY1.2/1 TIRSAN
MS2.2/1	TRANSIT LONG MID STUB / 3X.064" USE WITH MY2.1/1 & MY24.4 TIIRSAN
MS2.12	LONG MIDSTUB 1140 1300 2X.064" 26 SPL USE WITH MY1.4 & MY2.1/1 H=82MM
MID YOKE	
MY1.5	TRANSIT MID YOKE H=86MM (USE WITH MS1.5 & MS1.9) TIRSAN
MY2.1/1	TRANSIT MID YOKE "LONG" H=80.2MM USE WITH MS2.1/1 & MS2.2/1 TIRSAN
FIXINGS	
30001900800	HEX BOLT (USE WITH MS2.1 / MS2.2)
30002001700	
30002001800	LOCK TAB WASHER
TUBE YOKE	
TY2.5	TO SUIT 2X.095" TUBE 3026.2607
TY2.1	TO SUIT 3X.064" TUBE 3026.1567
CENTRE BRG	
BMCB57	30X144X13MM TRANSIT 3180-3004 (SEE PIC # 1)
BMCB61	30X140X13MM TRANSIT ROUND OLD STYLE (SEE PIC # 43)
BMCB19	45X144X16MM 3180-4511 (SEE PIC # 45)
FIXINGS	
31141400600	CENTRE BEARING FLINGER (SUITABLE FOR BMCB57 / BMCB161 & BMCB131)
SLEEVE YOKE	
SL2.3	1410 HEAVY DUTY SPLINE USE WITH SS6.7 L=156MM
SL2.12	SLEEVE SLIPMID 3X.064W" 1410SPL L=150MM JAGUAR & TRANSIT

BM REF #	COMMENTS / DESCRIPTION
1300	27 X 74.6MM UJ FORD TRANSIT

SLIP STUB

SS6.7 70MM SLIP RILSAN COATED 3X.064" (1410 SPLINE)

U'JOINT

BM195 **STANDARD UNIVERSAL JOINT 27X74.6MM**

BM195A 1300 (**MATSUBA / UJ-055**) SIDE LUBE

BM195B 1300 (**GMB GU-1100**) SIDE LUBE

BM52 **INTERMEDIATE UNIVERSAL JOINT SHROUDED SEALS & THRUST WASHERS**

BM52/3 **PREMIUM DUTY (METAL SEALS & THRUST WASHERS)**

CV JOINT

BMCV03 TRANSIT C.V JOINT FORD # 72BG4606CA

DL5074 TRANSIT CV SHROUD & RUBBER (TO SUIT BMCV03 & BMCV14)

BM REF #	COMMENTS / DESCRIPTION
3C11 & 8C16	30 X 92.1MM UJ

UNIVERSAL JOINT

BM658 (SFL) NEW FORD TRANSIT 8C SRS FORD SHAFTS ***O.E. SPEC***

CENTRE BEARING

BMCB195 35X144X14MM FORD TRANSIT (SEE PIC # 1) 8C114826AA

BMCB195/1 35X144X14MM FORD TRANSIT (SEE PIC # 1) 8C114826AA O.E. SPEC

FL035140101 INNER FLINGER FORD TRANSIT (BMCB195/1) 76.5MM Ø

FL035140202 OUTER FLINGER FORD TRANSIT (BMCB195/1) 51MM Ø

FLEXIBLE COUPLING

FC-10 RUBBER COUPLING / **120MM PCD 104MM HOLE C/L M14MM BOLT HOLE -**
USE WITH FK-2

PROPSHAFT

YEAR 2007 ONWARDS

2-PIECE DESIGN

C/w 120MM PCD COUPLING / FLANGE 107.95MM PCD 50.8MM REG)

TRANSIT-2P/10 L = 2155.8MM SWAGED TUBES BOTH SECTIONS FORD PART

8C11-4K145-AE

TRANSIT-2P/11 L = 1997MM SWAGED FRONT SECTION FORD PART # **8C11-4K145-BE**

TRANSIT-2P/13 L = 2449MM SWAGED FRONT SECTION FORD PART # **3C11-4K145-AB**

3-PIECE DESIGN

C/w 120MM PCD COUPLING / FLANGE 107.95MM PCD 50.8MM REG)

TRANSIT-3P/15 L=2522MM SWAGED FRONT SECTION FORD PART # **8C16-4K357-CF**

TRANSIT-3P/16 L=2317MM SWAGED FRONT SECTION FORD PART # **8C16-4K357-DG**

TRANSIT-3P/17 L=2969MM SWAGED FRONT & REAR SECTIONS FORD PART

8C16-4K357-EF

TRANSIT-3P/29 L=2767MM SWAGED FRONT FORD PART # **8C16-4K357-FG**

TRANSIT-3P/18 L=2767MM SWAGED FRONT FORD PART # **8C16-4K357-FF**

TRANSIT-3P/26 L=2553MM FORD PART # **AC11-4K357-AB**

TRANSIT-3P/31 L=2349MM FORD PART # **BK314K357BD**

TUBE

TUBE84X1.7 TUBING 84MMX1.7MM

BM REF #	COMMENTS / DESCRIPTION
1350	30.2 X 92.1MM UJ

FLANGE YOKE

FY5.5 FORD TRANSIT **3502.300** 108MM PCD 12.75MM HOLES
SPIGOT = 50.8MM H=42MM

TUBE YOKE

TY5.6 1350 TUBE YOKE 3X0.064" Ø

U'JOINT

BM73 **STANDARD** 30.2X92.1MM
 BM404 **FORD TRANSIT** 30.2X92.1MM
 BM623 30.2X92.1 MM **SPICER** PREMIUM WITH LUBE 5-178X
 BM801 30.2X92.1MM ****NEAPCO GOLD LINE**** (SFL)
 BM643 30.2X92.1MM (**MATSUBA UJ-037**)
 BM643/1 30.2X92.1 END LUBE IN CAP

BM REF #	COMMENTS / DESCRIPTION
2020	30.2 X 81.8MM UJ

PROPSHAFT

3-PIECE DESIGN

TRANSIT-3P/28 **C/w 30MM BRGS (107.95MM PCD 17MM PIN * 107.95MM PCD 50.8MM REG)**
 L=2891MM 2020 (1350SRS AXLE) FORD PART # **YC1W4K357TC**
 TRANSIT-3P/1 L=3084MM 2020 (1350SRS AXLE) FORD PART # **YC1W4K357VA**
 TRANSIT-3P/3 L=2429MM 2020 (1350SRS AXLE) FORD PART # **YC1W4K357SC**
 TRANSIT-3P/4 L=2635MM 2020 (1350SRS AXLE) FORD PART # **YC1W4K357PC**
 TRANSIT-3P/12 L=2364MM 2020 (1350SRS AXLE)

3-PIECE DESIGN

TRANSIT-3P/5 **C/w 30MM BRGS (SGF COUPLING 105MM PCD * 107.95MM PCD 50.8MM REG)**
 L=2328.5MM (LENGTH W/o RUBBER COUPLING) REAR 3" DIA
3C11-4K357-DB
 TRANSIT-3P/24 L=2346.5MM (LENGTH W/o RUBBER COUPLING) **AC11-4K357-BB**
 TRANSIT-3P/13 L=2390MM (LENGTH W/o RUBBER COUPLING) REAR 3" DIA
3C11-4K357-HB
 TRANSIT-3P/19 L=2553MM (LENGTH W/o RUBBER COUPLING) REAR SWAGE 3/3.5"
3C11-4K357-CC
 TRANSIT-3P/6 L=2645MM (LENGTH W/o RUBBER COUPLING) REAR SWAGE 3/3.5"
3C11-4K357-GB
 TRANSIT-3P/7 L=2838MM (LENGTH W/o RUBBER COUPLING) REAR SWAGE 3/3.5"
3C11-4K357-KC
 TRANSIT-3P/22 L=2798MM (LENGTH W/o RUBBER COUPLING) REAR SWAGE 3/3.5"
6C11-4K357-DA
 TRANSIT-3P/23 L=3000MM (LENGTH W/o RUBBER COUPLING) REAR SWAGE 3.5/4.0"
6C11-4K357-CE
 TRANSIT-3P/8 L=3040MM (LENGTH W/o RUBBER COUPLING) REAR SWAGE 3.5/4"
3C11-4K357-JB

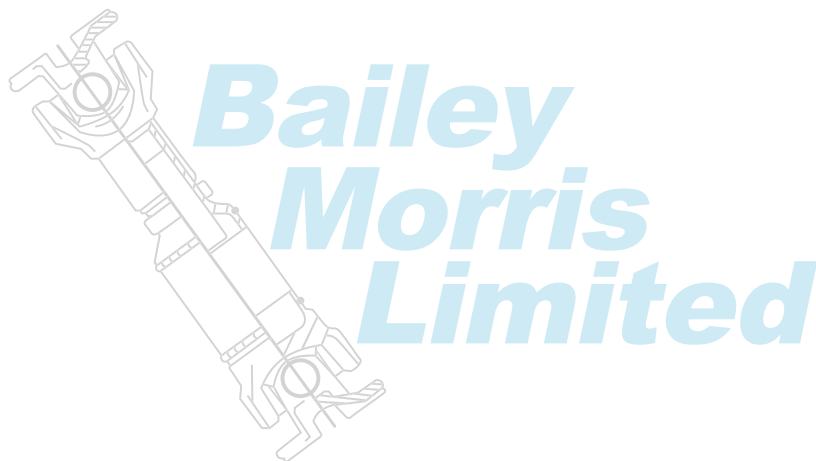
PROPSHAFT

3-PIECE DESIGN

TRANSIT-3P/9 **C/w 30MM BRGS (SGF COUPLING 120MM PCD * 107.95MM PCD 50.8MM REG)**
 L=2520MM (LENGTH W/o RUBBER COUPLING) REAR SWAGE 3/3.5"
4C11-4K357-CC
 TRANSIT-3P/15 L=2522MM (LENGTH W/o RUBBER COUPLING) REAR SWAGE 3.5/4.0"
 STAKED UJS
 TRANSIT-3P/14 L=2767MM (LENGTH W/o RUBBER COUPLING) REAR SWAGE 3.5/4.0"
4C11-4K357-FA
 TRANSIT-3P/17 L=2969MM (LENGTH W/o RUBBER COUPLING) REAR SWAGE 3.5/4.0"
8C16-4K357-EF
 TRANSIT-3P/10 L=2970MM (LENGTH W/o RUBBER COUPLING) REAR SWAGE 3.5/4.0"
4C11-4K357-EA

BM REF #	COMMENTS / DESCRIPTION
2020	30.2 X 81.8MM UJ
FLANGE YOKE	
FY24.8	107.95MM Ø PCD 12.66MM HOLES H=45MM FORD TRANSIT GEARBOX ONLY
MID STUB	
MS24.3	NEW FORD TRANSIT 3.0X.064" Ø TUBE (USE WITH MY24.3) "29.6MM DIA SPLINE"
MID YOKE	
MY24.3	NEW FORD TRANSIT (USE WITH MS24.3) "29.6MM DIA SPLINE"
FIXINGS	
30001900800	HEX BOLT
30002001700	U BOLT
30002001800	LOCK TAB WASHER
TUBE YOKE	
TY24.3	TO SUIT 76.2X2.4MM (3.0X.095") Ø TUBE H=45MM
TY24.4	TO SUIT 76.2X1.62MM (3.0X.064") TUBE H=53MM
CENTRE BRG	
BMCB57	30X144X13MM 3180-3004 (SEE PIC # 1)
BMCB57A	O.E. FORD TRANSIT 30X144X13MM (99VB4826AB/YCIW4826BC)
FIXINGS	
31141400600	CENTRE BEARING FLINGER (SUITABLE FOR BMCB57 / BMCB161 & BMCB131)
YOKE SHAFT ASSY	
SA24.4	70MM SLIP / 76.2X2.4MM (3X0.095") TUBE W/o FLANGE & UJ L=193MM
SA24.7	70MM SLIP / 76.2X2.1MM Ø TUBE W/o FL & UJ - L=200MM
SA24.5	90MM SLIP / 76.2X2.4MM (3X0.064") TUBE W/o FLANGE & UJ
U'JOINT	
BM77	30.2X81.8MM CENTRE LUBE SPICER 2020 ORIGINAL
BM232	30.2X81.8MM OPTIONAL 1.2MM & 1.5MM CIRCLIPS
BM232A	687.20 C/w WITH LUBE & 1.5MM CIRCLIPS HEAVY DUTY
BM232/1	30.2X81.8MM CENTRE LUBE HEAVY DUTY INA BRG CAPS
BM394	687.20 C/w WITH LUBE
END YOKE	
EY24.2	3 ARM COUPLING FLANGE 105MM PCD (USE WITH FC-9) TUBE 58X1.62MM
EY24.3	3 ARM COUPLING FLANGE 120MM PCD (USE WITH FC10) TUBE 66X2.41MM
FLEXIBLE COUPLING	
FC-9	RUBBER COUPLING / 105MM PCD * M12 - USE WITH FK-1
FC-10	RUBBER COUPLING / 120MM PCD * M14 - USE WITH FK-2
FIXING KIT	
FK-1	FIXING KIT FOR FC-9 * M12 (3XBOLTS / 3XNUTS / 3XWASHERS)
FK-2	FIXING KIT FOR FC-10 * M14 (3XBOLTS / 3XNUTS / 3XWASHERS)
BUSH	
BUSH/1	TRANSIT BUSH TO SUIT EY24.2 + EY24.3 (16MM PIN / 32MM Ø)
AXLE FLANGES	
AF01	4 BOLT AXLE FLANGE TRANSIT 128MM DIA H=38MM
AF02	8 BOLT AXLE FLANGE TRANSIT 128MM DIA H=49.6MM
TUBE	
TUBE84X1.7	84X1.7MM Ø

BM REF #	COMMENTS / DESCRIPTION
TRANSIT MISC	
U'JOINT	
BM53	27X71MM TRANSIT STAKED
BM550	27X79.8MM NEW TRANSIT STAKED
BM550/1	27X79.8MM NEW TRANSIT STAKED
BM79	31.02X44.1MM INTERNAL CIRCLIP
BM21	22X67MM FORD STAKED



FORKLIFT TRUCK SHAFTS / COUPLINGS



BM REF #	PIC #	LENGTH	COMMENTS / DESCRIPTION SHAFTS / COUPLINGS	O.E. REF
BUSCHE				
FL-28	# 27	360MM	FLANGE BOLT HOLE CTRS 57X57MM 98X4X8MM	
DAEWOO				
FL-51	# 30	218.5MM	16 SPLINE MALE YOKESHAFT / 97X4X10.2MM FLANGES	
DOOSAN				
DOOSAN-2	AWAITING INFO		112-00068A/B	
DOOSAN-3	AWAITING INFO		112-00080A/B	
DOOSAN-4	AWAITING INFO		112-00065A/B	
DOOSAN-5	AWAITING INFO		112-00090	
DOOSAN-6	AWAITING INFO		112-00082A	
DOOSAN-7	AWAITING INFO		260-00074A	
DOOSAN-8	AWAITING INFO		260-00066A	
HYSTER				
FL-40	TBA	273.5MM	11 SPLINE END YOKE (19.2mm MAJOR / 16.2mm MINOR). FLANGE BOLT HOLE CTRS 52X38MM 45MM MALE SPIGOT	
FL-45	# 33	200MM	11 SPLINE ENDYOKE FLANGE FLANGE 90X4X8.3MM BOLT HOLE CTRS 38X52MM 45MM MALE SPIGOT	
FL-54	# 8	103MM	HYSTER SHAFT - L=103MM	1594314
FL-55	# 3	97MM	HYSTER SHAFT - L= 97MM	1547757
FL-56	# 3	148MM	HYSTER SHAFT - L =148MM	1600539
KOMATSU				
7CB-1	# 7	192MM	UJ CENTRES - SUPPLIED W/o BM312A UNIVERSAL JOINTS 41.3X110 / 49.2X117.6MM 7C ON OPPOSITE SPAN	
FL-18	# 22	196MM	22MM 13 SPLINE END YOKE FLANGE 91X4X8MM BOLT HOLE CTRS 35X60MM 42MM SPIGOT	22W12-22011 22W12-22011
FL-19	# 22	196MM	30MM 18 SPLINE END YOKE FLANGE 91X4X8MM BOLT HOLE CTRS 35X60MM 42MM SPIGOT	224W7-22012 22W12-22012
FL-20	# 2	153.3MM	8.5C COUPLING	175-20-1100
FL-21	TBA	135MM	COUPLING 50X181 MECHANICS UJS BM399	154-20-10002
FL-38	# 31	219MM	13 SPLINE END YOKE FLANGE BOLTS 4X11MM ON 110MM PCD HOLE CTRS 77.35X77.35MM	3EC-01-32711
MANITOU				
FL-31	TBA	278MM	RESILIENT TUBE FLANGES 97X4X10MM (280MM-325MM)	39715- 2KC / C0300
FL-32		300MM	RESILIENT TUBE FLANGES 97X4X10MM (280MM-355MM)	397152K
FL-36	# 15	188MM	FL - UJ C/L CLOSED SHAFT 1410SAE (M12)	

BM REF #	PIC #	LENGTH	COMMENTS / DESCRIPTION SHAFTS / COUPLINGS	O.E. REF
mitsubishi				
FL-1	# 9	160MM	END YOKE 18MM 10 SPLINE FLANGE 98X4X8MM BOLT HOLE CTRS 57X57MM	91171-30010 91171-10011 91171-00010
FL-2	# 9	160MM	END YOKE 22MM 13 SPLINE FLANGE 98X4X8MM BOLT HOLE CTRS 57X57MM	91871-20010 91871-10011
FL-3	# 13	195MM	ENDYOKE 22MM 13 SPLINE FLANGE 98X4X8MM BOLT HOLE CTRS 57X57MM	
FL-4	# 14	200MM	END YOKE 22MM 13 SPLINE FLANGE 98X4X8MM BOLT HOLE CTRS 57X57MM	91871-10021
FL-5	# 11	290MM	END YOKE 22MM 13 SPLINE FLANGE 98X4X8MM BOLT HOLE CTRS 57X57MM	91781-20040
FL-6	# 18	220MM	END YOKE 22MM 13 SPLINE FLANGE 98X4X8MM BOLT HOLE CTRS 57X57MM	91571-00050 91571-00070
FL-7	# 20	210MM	END YOKE 22MM 13 SPLINE FLANGE 98X4X8MM BOLT HOLE CTRS 57X57MM	91571-20010
FL-8	# 24	106MM	DOUBLE YOKE MECHANICS COMBINATION BOLT HOLE CTRS 43X80MM	91324-00030
FL-9	# 8	106MM	MECHANICS COMBINATION BOLT HOLES CTRS 36X87MM	91324-00060
FL-10	# 19	185MM	FLANGE 98X4X8MM BOLT HOLE CTRS 57X57MM	
FL-11	# 34	180MM	END YOKE 22MM 13 SPLINE FLANGE 72X4X8MM BOLT HOLE CTRS 25X50MM 34MM SPIGOT	91871-00021
FL-28	# 27	360MM	FLANGE 98X4X8MM BOLT HOLE CTRS 57X57MM	92001-10090
FL-39	# 32	148MM	O/A 16 SPLINE ENDYOKE FLANGE BOLT HOLE CTRS 56X56MM	
FL-41	# 9	155MM	O/A END YOKE 13 SPLINE FLANGE 98X4X8MM BOLT HOLE CTRS 57X57MM	91871-20010
FL-42	# 10	273MM	O/A 10 SPLINE END YOKE FLANGE 87X4X8.4MM	91571-10010
FL-47	# 28	191.5MM	O/A 22MM END YOKE 13 SPLINE FLANGE 98X4X8MM BOLT HOLE CTRS 57X57MM	
FL-48	# 36	158MM	O/A 30MM END YOKE 14 SPLINES + 2X MASTER FLANGE 98X4X8MM BOLT HOLE CTRS	
FL-52	# 37	178MM	O/A 22SPLINE E/YOKE FLANGE 98X4X8MM BOLT HOLE CTRS 57X57MM	
NISSAN				
FL-24	# 11	257.5MM	END YOKE 24MM 14 SPLINE FLANGE 91X4X8MM BOLT HOLE CTRS 45X53MM 57MM SPIGOT	37200-51H00
SANDERSON				
FL-35	# 17	180MM	SANDERSON SHAFT LESS ADAPTOR PLATE FLANGE PCD= 99MM 12MM BOLT HOLE CTRS 70X70MM	
U'JOINT				
BM492/1			SANDERSON 1210 SPICER 27X61.9MM NON LUBE	
TCM				
FL-18	# 22	196MM	22MM 13 SPLINE FLANGE 91X4X8MM BOLT HOLE CTRS 35X60MM 42MM SPIGOT	22W12-22011 22W12-22011
FL-19	# 22	196MM	30MM 18 SPLINE FLANGE 91X4X8MM BOLT HOLE CTRS 35X60MM 42MM SPIGOT	224W7-22012 22W12-22012
FL-27	# 29	170MM	YSA22MM 13 SPLINES FLANGE 102X4X8MM BOLT HOLE CTRS 56X64MM	

BM REF #	PIC #	LENGTH	COMMENTS / DESCRIPTION	O.E. REF
FL-43	# 21	180.5MM	22MM 13 SPLINE 22MM MAJOR DIA FLANGE 92X4X8MM	
FL-46	# 29	168MM	24.7MM 13 SPLINE END YOKE FLANGE 87X4X8MM BOLT HOLE CTRS 46X53MM 53MM SPIGOT	24357-20201
TOYOTA				
FL-12	# 16	180MM	FLANGE 84X4X8MM BOLT HOLE CTRS 40X58MM SPIGOT=34MM	67310-32880-71
FL-13	# 25	135MM	13 SPLINE 22MM END YOKE FLANGE 89X4X8MM BOLT HOLE CTRS 41X57MM SPIGOT=38MM	67310-32080-71
FL-14	# 3	106MM	4C MECHANICS COMBINATION 36.5X87.3MM	37210-23000-71
FL-15	# 4	183MM	FLANGE 85X4X8MM BOLT HOLE CTRS 41X57MM SPIGOT=34MM	67310-31700-71
FL-16	# 6	350MM	FLANGE 85X4X8MM BOLT HOLE CTRS 41X57MM SPIGOT=34MM	67310-31720
FL-17	# 26	275MM	FLANGE 102X4X8MM BOLT HOLE CTRS 56X64MM SPIGOT=46MM	67310-31630-71
YALE				
FL-25	# 12	72MM	DOUBLE JOINT FLANGE 84X4X8MM BOLT HOLE CTRS 38X52MM 45MM DIA SPIGOT	9147-844-01
FL-26	# 23	80MM	DOUBLE JOINT FLANGE 92X4X8MM BOLT HOLE CTRS 46X57MM 45MM DIA SPIGOT	91324-08200
FL-49	# 38	213MM	FLANGE 92X4X8MM BOLT HOLE CTRS 46X57MM 45MM SPIGOT	
FL-50	# 1	257MM	O/A END YOKE 14 SPLINE + 2 X MASTER FLANGE 125X6X10.8MM 73MM MALE REG	



#1

FL-50



#3

FL-14.55&56

#4

FL-15



#5

FL-15/1



#7

7CB-1

#8

FL-9



#9

FL-1, 2 & 41



#10

FL-42



#11

FL-5 & 24



#12

FL-25



#13 FL-3



#14 FL-4



#15 FL-36



#16 FL-12 & 15/1



#17 FL-35



#18 FL-6



#19 FL-10



#20 FL-7



#21 FL-43



#22 FL-18 & 19



#23 FL-26



#24 FL-8



#25 FL-13



#26 FL-17



#27 FL-28



#28 FL-47



#29 FL-27 & 46



#30 FL-51



#31 FL-38



#32 FL-39



#33 FL-45



#34 FL-11



#35 FL-5



#36 FL-48



#37 FL-52



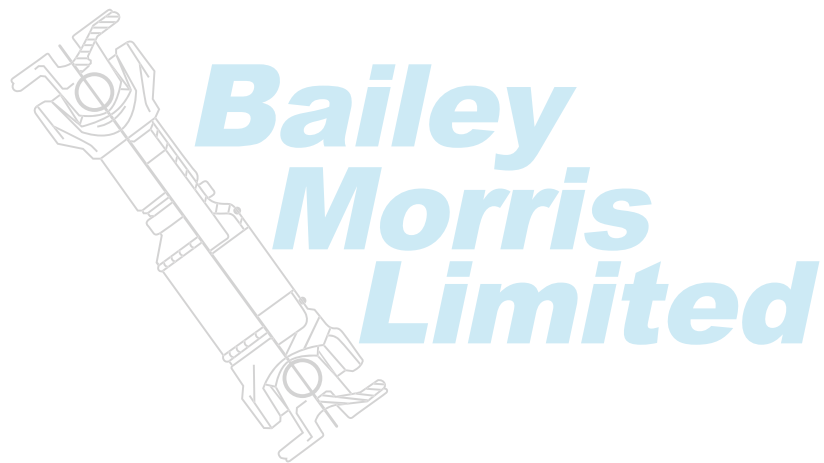
#38 FL-49

COUPLING FLANGES - BLANK OR PILOT BORED

BM REF #	COMMENTS / DESCRIPTION	BORE H7	LENGTH MM
****PRICES ON APPLICATION****			
CF6.2	1410SAE / 57MM DIA BOSS	19MM	70
CF6.5	1410SAE / 79MM DIA BOSS / C/w PILOT BORE	19MM	79
AFL0585020	58MM DIAMETER 4X5MM HOLES	20MM	30
AFL0655025	65MM DIAMETER 4X6MM HOLES	25MM	40
AFL0755030	75MM DIAMETER 6X6MM HOLES	30MM	48
AFL0905035	90MM DIAMETER 4X8MM HOLES	35MM	55
AFL1005040	100MM DIAMETER 6X8MM HOLES	40MM	62
AFL10068	100X6X8MM DIAMETER PILOT BORE	20MM	62
AFL10068/1	100X6X8MM DIAMETER SOLID	N/A	62
AFL1205045	120MM DIAMETER 8X8MM HOLES	45MM	70
AFL1205055	120MM DIAMETER 8X10MM HOLES	55MM	85
AFL1505065	150MM DIAMETER 8X12MM HOLES	65MM	115
AFL1805080	180MM DIAMETER 8X14MM HOLES	80MM	125
CF59.6	180KV 4X15MM DIAMETER PILOT BORE	23MM	125
AFL09052036	90MM DIAMETER 4x8MM HOLES 36X32X6X8		
AFL10052036	100MM DIAMETER 6X8MM HOLES 36X32X6X8		
CF60.1	587.50SRS 225X8X16MM PILOT BORED 50MM	50MM	

COMPANION FLANGES

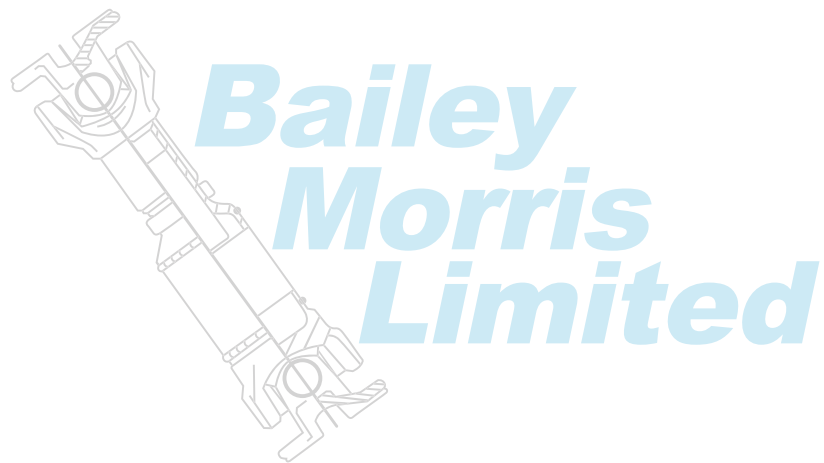




QUICK RELEASE COUPLINGS

BM REF #	COMMENTS / DESCRIPTION	LENGTH
****PRICES ON APPLICATION****		
330100100003	100MM DIAMETER 6X8MM HOLES SPIGOT DIAMETER 57M	76MM
330200100003	120MM DIAMETER 8X8MM HOLES SPIGOT DIAMETER 75MM	75MM
330300100003	150MM DIAMETER 8X12MM HOLES SPIGOT DIAMETER 90MM	100MM
330400100003	180MM DIAMETER 8X14MM HOLES SPIGOT DIAMETER 110MM	110MM
330500100000	225MM DIAMETER 8X16MM HOLES SPIGOT DIA 105MM	144MM
330500100001	225MM DIAMETER 8X16MM HOLES C/W FACE KEY SPIGOT DIA 105MM	144MM
230600100000	285MM DIAMETER 8X20MM HOLES SPIGOT DIA 125MM	160MM
230700102002	350X10X22 DIAMETER 10X22MM HOLES SPIGOT DIA 220MM	180MM





IDENTIFICATION DRAWINGS

TECHNICAL QUESTIONNAIRE FOR DRIVE SHAFT

Shaft Identification Details:

- Universal Joint:** L
- Tube:** J
- Flange:** F-° angle, H-° angle, ØE, ØG
- SAE:** F-° angle, ØE, ØG
- DIN:** ØE, ØG
- Hub:** N, M, G, O, G1
- Shaft:** K, L
- Main Shaft Dimensions:** A, B, C, D, LZ, ØI

TECHNICAL QUESTIONNAIRE FOR DRIVE SHAFT

SHAFT		FLANGE			UNIVERSAL JOINT / TUBE		
A:	B:	E:	F:	G:	I:	J:	
C:	D:	H:	M:	N:	K:	L:	
Lz.:	La.:	O:	G1:		Lube type:		

TECHNICAL QUESTIONNAIRE FOR COUPLING SHAFT

Centre Bearing

Flange

Universal Joint

Tube

SAE

DIN

KV

Technical Questionnaire for Coupling Shaft

SHAFT		FLANGE / CENTRE BEARING			UNIVERSAL JOINT / TUBE		
A:	B:	E:	F:	G:	I:	J:	
C:	D:	H:	M:	N:	K:	L:	
L:		O:			Lube type:		



TECHNICAL QUESTIONNAIRE FOR 2-PIECE SHAFT

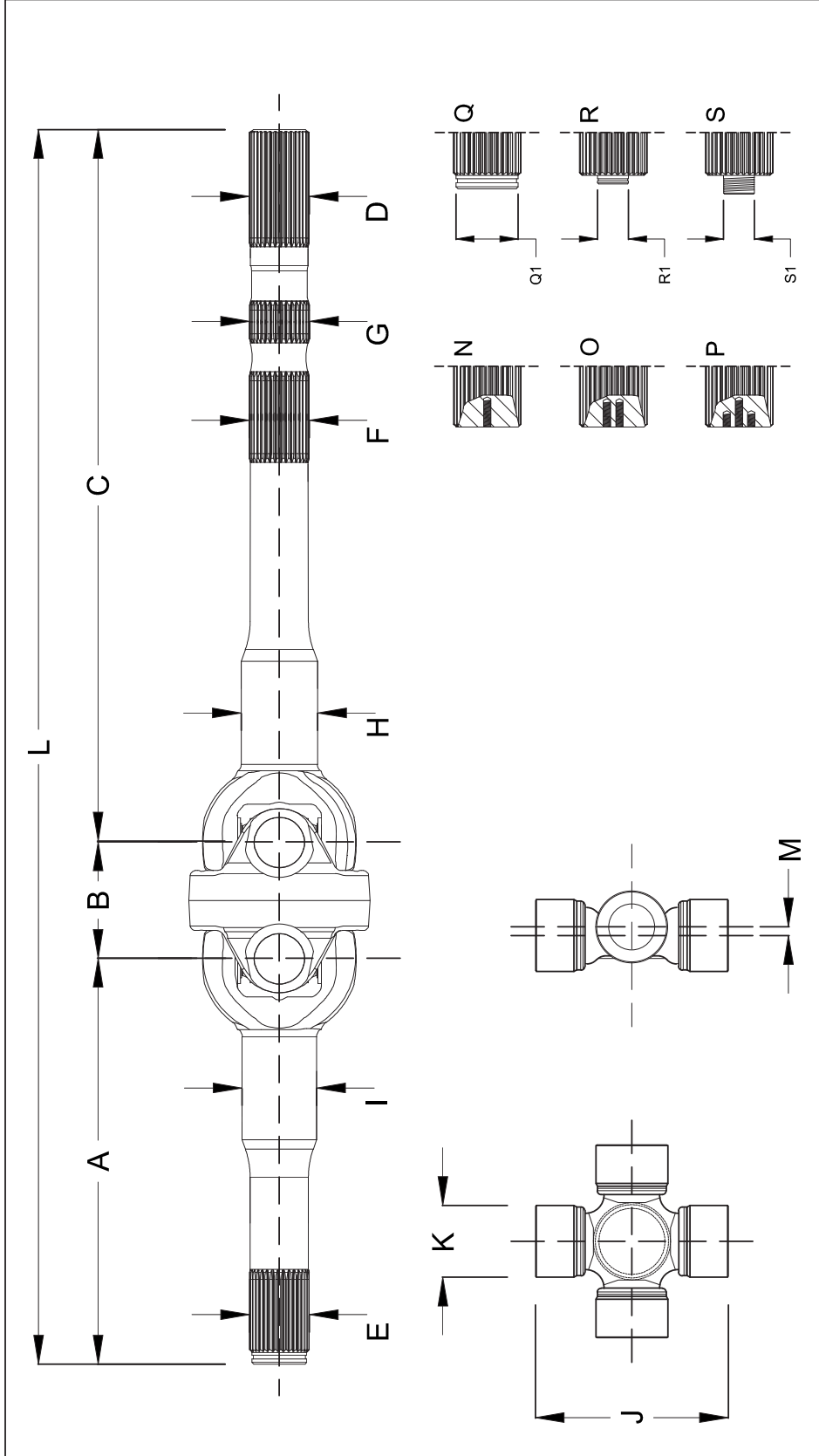
The drawing shows a 2-piece shaft assembly with the following dimensions and views:

- Dimensions:** A, B, C, D, L, M, N, O, K, J, I, H, G, F, E, ØE, ØG, ØI, KV, F° angle, H° angle.
- Views:** Side view, End view, Centre bearing detail, Flange detail (SAE and DIN), Tube detail, Universal Joint detail.


TECHNICAL QUESTIONNAIRE FOR 2-PIECE SHAFT

SHAFT		FLANGE / CENTRE BEARING				UNIVERSAL JOINT / TUBE			
A:	B:	E:	F:	G:	I:	I1:	J:	J1:	
C:	D:	H:	M:	N:	K:	L:	L:		
L:		O:							Lube type:

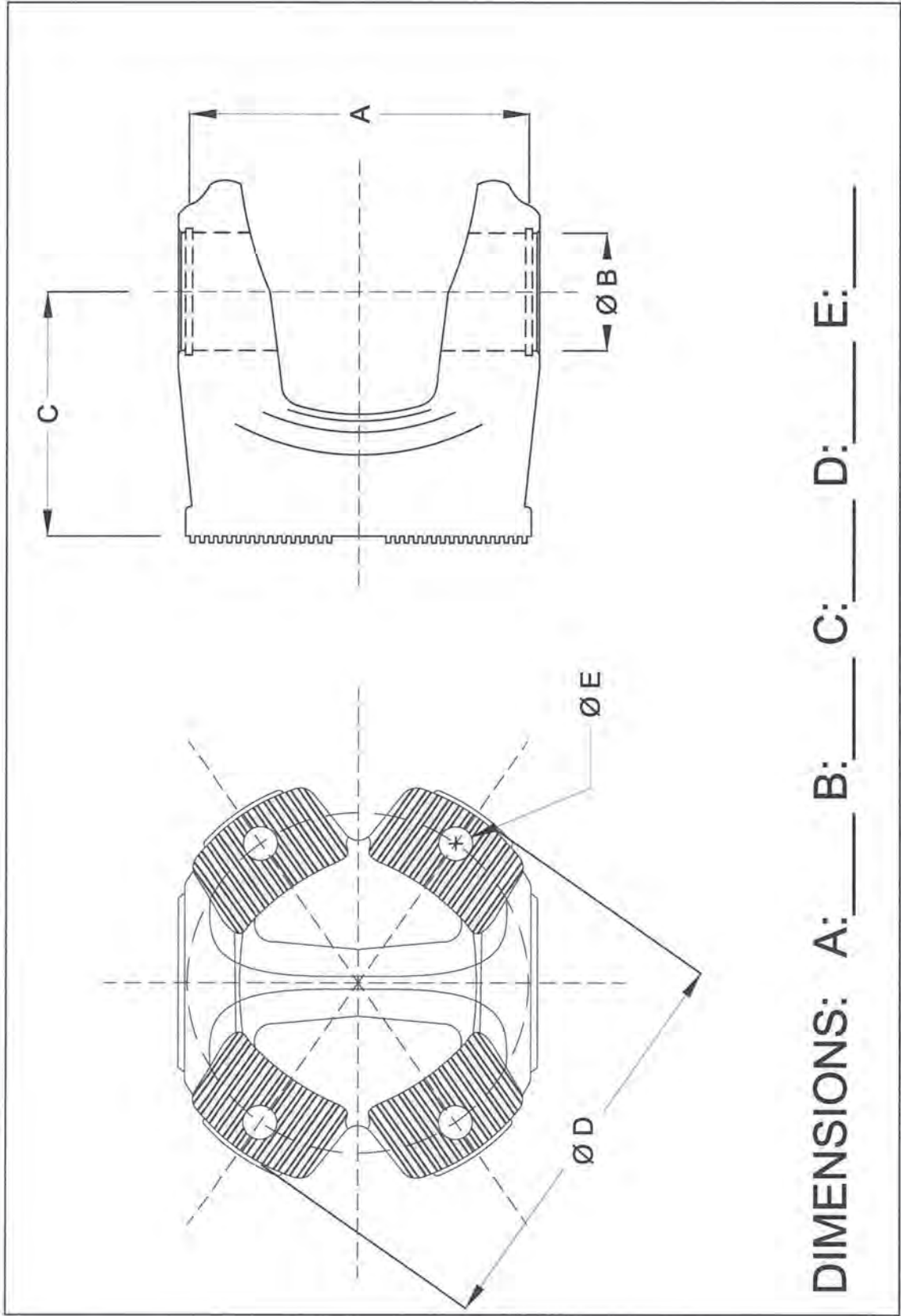
TECHNICAL QUESTIONNAIRE FOR STEER AXLE SHAFT



TECHNICAL QUESTIONNAIRE FOR STEER AXLE SHAFT

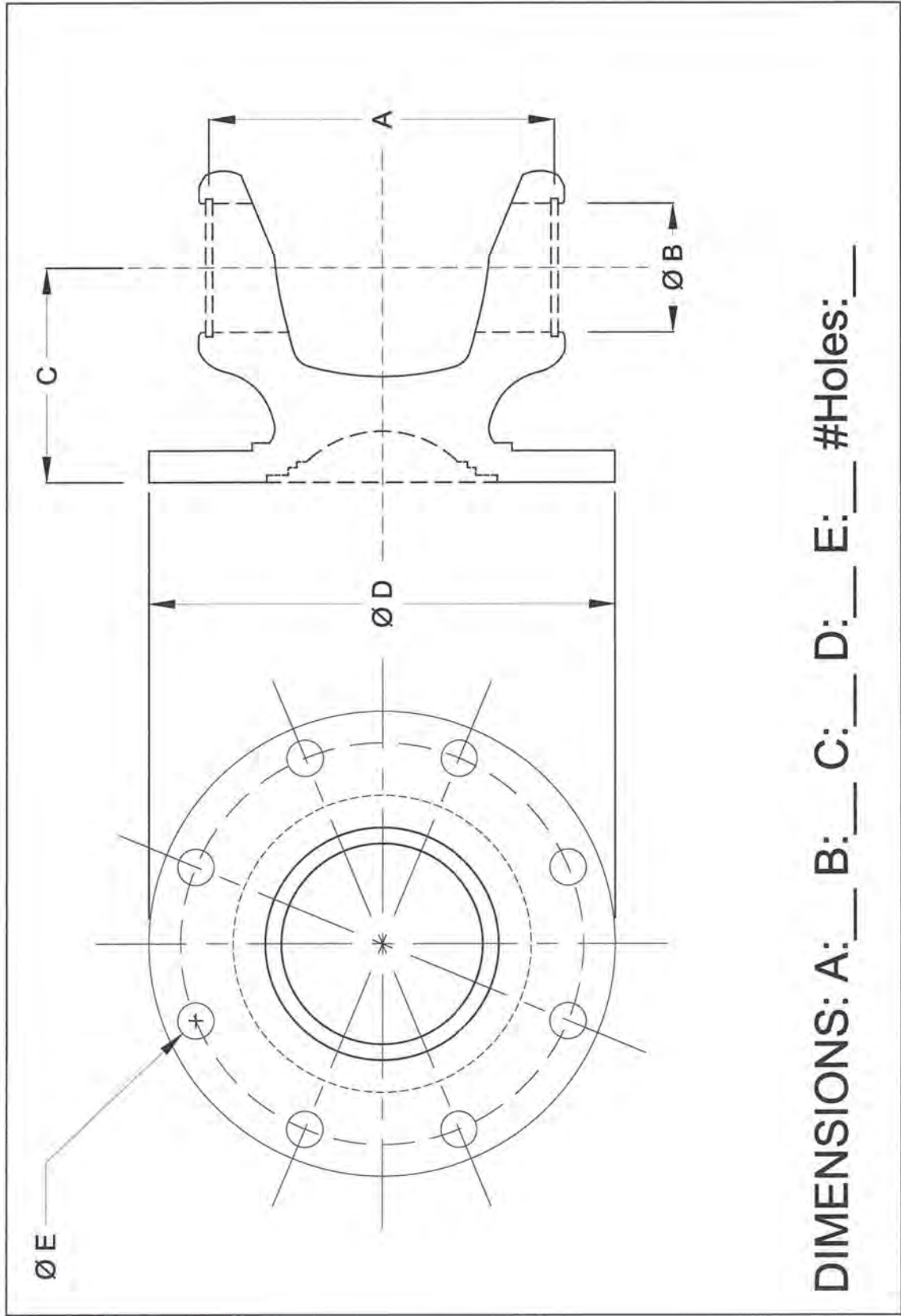
SPLINE STUB				SHAFT				UNIVERSAL JOINT	
N:	Q:	Q1:	A:	B:	C:	J:	K:		
O:	R:	R1:	D:	E:	F:	M:			
P:	S:	S1:	G:	H:	I:	L:	Lube type:		

TECHINICAL QUESTIONNAIRE FOR KV FLANGE



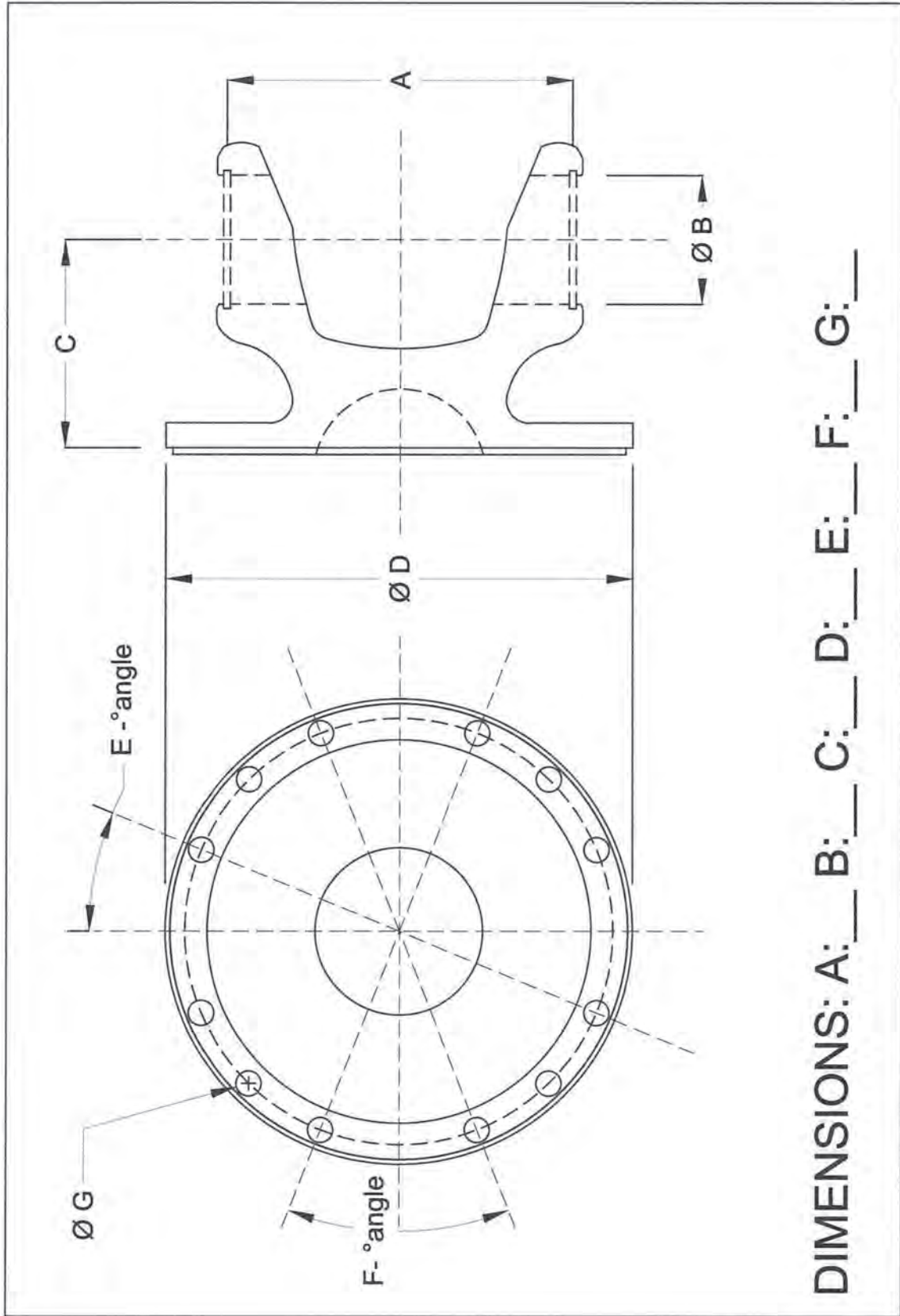
DIMENSIONS: A: ___ B: ___ C: ___ D: ___ E: ___

TECHNICAL QUESTIONNAIRE FOR DIN FLANGE



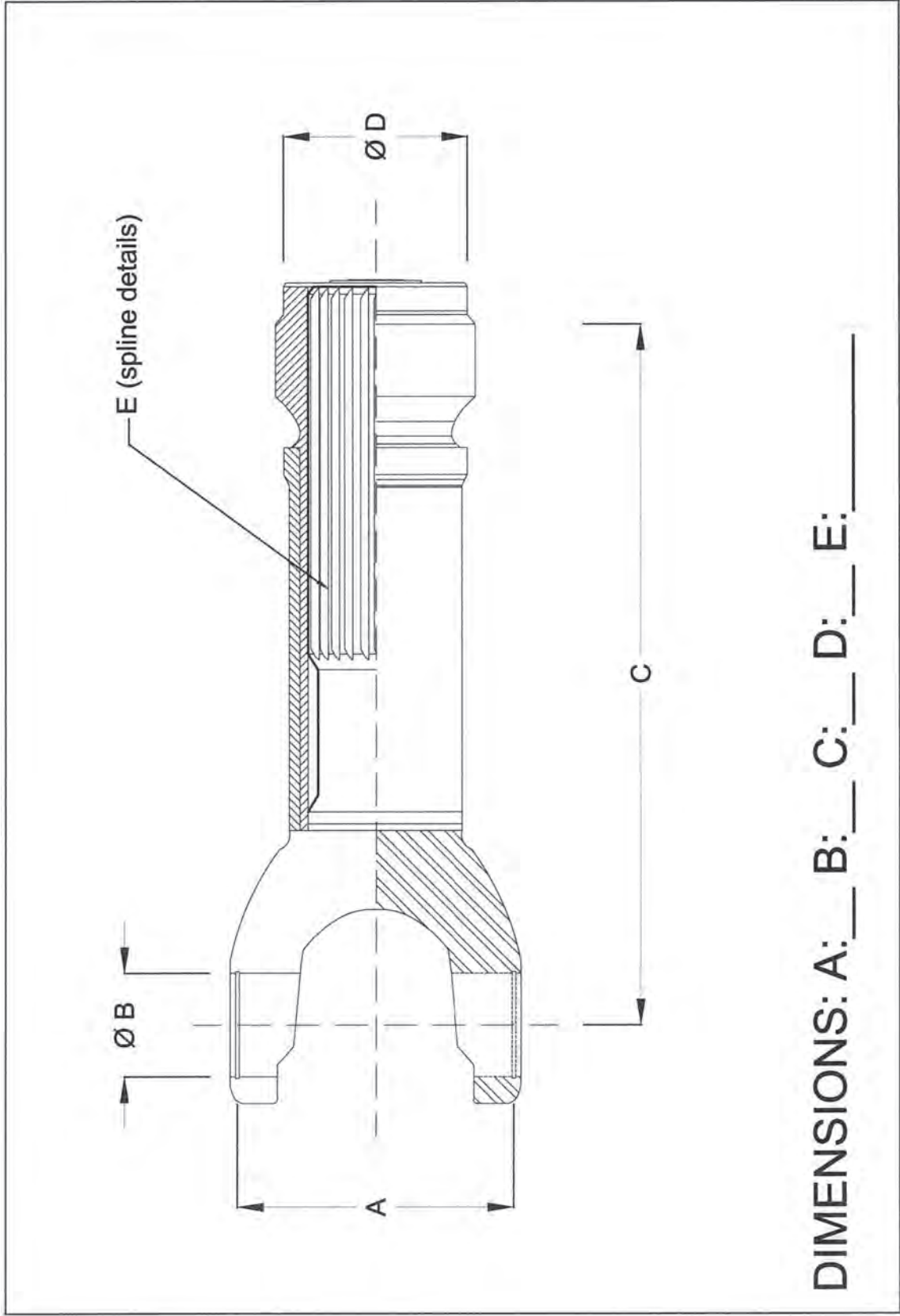
DIMENSIONS: A:___ B:___ C:___ D:___ E:___ #Holes:___

TECHINICAL QUESTIONNAIRE FOR SAE FLANGE



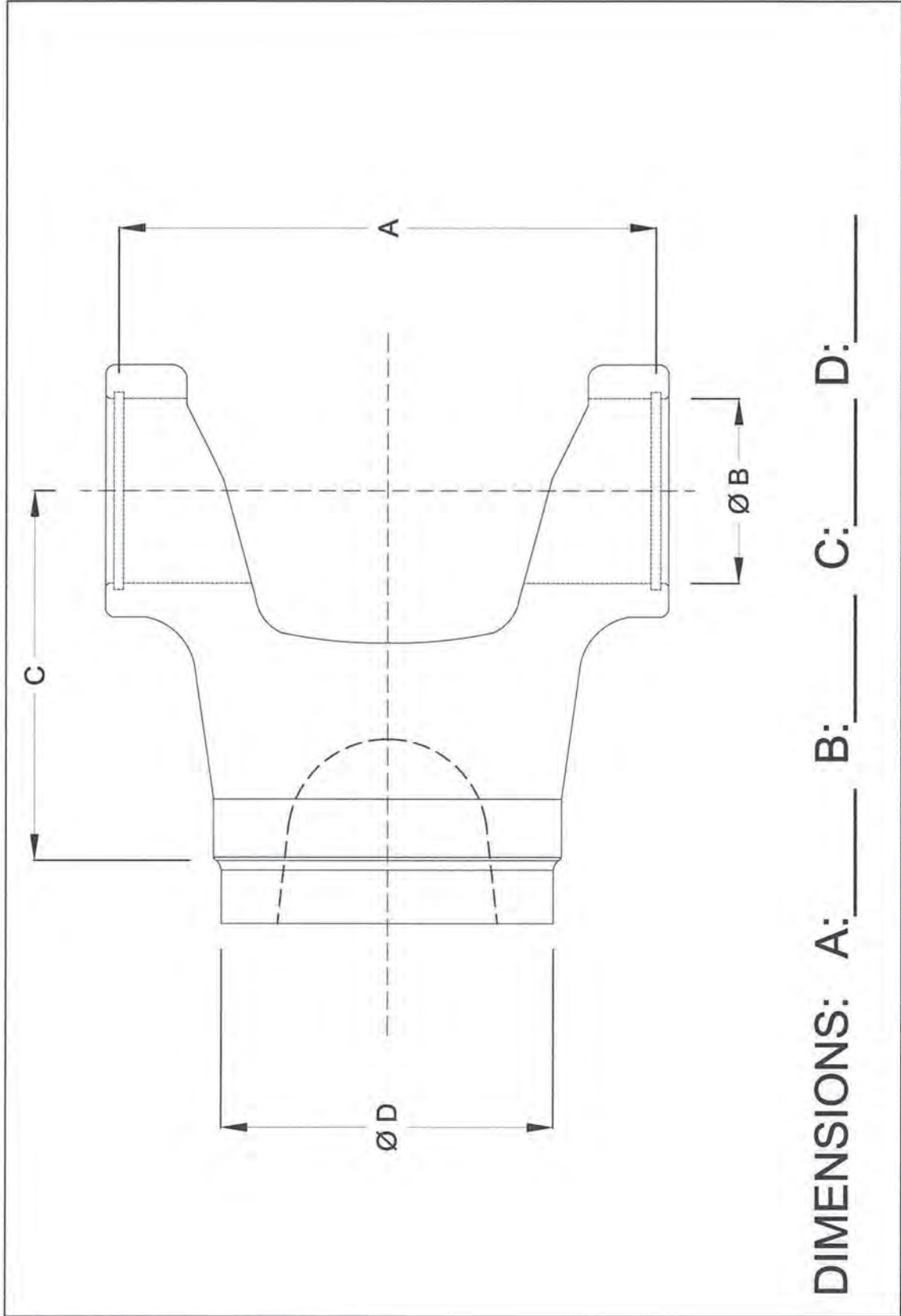
DIMENSIONS: A:___ B:___ C:___ D:___ E:___ F:___ G:___

TECHINICAL QUESTIONNAIRE FOR SLIP ASSY



DIMENSIONS: A:___ B:___ C:___ D:___ E:___

TECHINICAL QUESTIONNAIRE FOR TUBE YOKE



TECHINICAL QUESTIONNAIRE FOR DOUBLE JOINT

Technical drawings of a double joint showing dimensions A, B, C, D, N, G, E, KV, ØE, F-angle, H-angle, and DIN/SAE standards.

DJ		FLANGE				UNIVERSAL JOINT	
A:	B:	E:	F:	I:	J:		
C:	D:	G:	H:	M:	Lube type:		
N:							

C. V. JOINTS



BM REF # C.V JOINT ASSEMBLIES (CAR/VAN APPLICATIONS)

AUDI

BMCV10 AUDI CV JOINT (100MM DIA) USE WITH DL2518-100 LOBRO
REF 7153120184020 ** C/w SERVICE KIT**
DL2518-100 AUDI CV SHROUD & RUBBER (USE WITH BMCV10)

BMW

BMCV29 BMW CV 7153130187031 LOBRO 100X6X10

FIAT

BMCV65 FIAT PANDA CV ASSY C/w BOOT KIT 86X6X8MM H=21MM

FORD

BMCV03 TRANSIT CV JOINT 94MM DIA FORD REF 1526894 / 72BG4606CA
BMCV04 FORD GRANADA - SIERRA 100X6X8MM FORD REF 72GG4635-BA
DL5074 TRANSIT CV SHROUD & RUBBER (TO SUIT BMCV03 & BMCV14)
BMCV18 FORD EXPLORER CV&STUB ASSY PCD=91MM / 231106WAB1673
BMCV24 FORD EXPLORER/RANGER 98-05' CV JOINT KIT
BMCV27 FORD ESCAPE/MAVERICK CV JOINT ASSY COMPLETE

JEEP CHEROKEE

BMCV21 JEEP CHEROKEE CV (REAR) PCD = 86MM DIA = 99.9X6X8.6MM 30MM
C.V BODY (C/w BOOT KIT & SHROUD)
BMCV21/2 JEEP CHEROKEE CV (REAR) PCD = 86MM 99.9X6X8.6MM GKN 2081446 -
CAGE ON BMCV21/1 = 35MM - 30MM C.V BODY
BMCV22 JEEP CHEROKEE CV+GAITOR/SHIELD (FRONT) PCD=86MM DIA = 99.9X6X8.6MM
BMCV25 JEEP CHEROKEE CV+STUB ASSY La.50MM PCD=86MM (28 SPL Ø x 25 SPLINES)
BMCV28 JEEP CHEROKEE CV+MALE SPLINE L = 325MM PCD=86MM
BMCV34 JEEP CHEROKEE CV ASSY (FRONT) 1999-2001 86MM PCD 100MM O.D 40MM
WIDE - SUPPLIED WITH SHROUDS ETC
BMCV39 JEEP CHEROKEE CV ASSY (REAR 2005 ONWARDS 86MM PCD 99.9X6X8.6MM
O.D 40MM WIDE - SUPPLIED WITH SHROUDS ETC
BMCV58 JEEP CHEROKEE REAR C.V DIA=108MM 7153170121001

KIA

BMCV54 KIA SORRENTO 7153100124003 LÖBRO 100X6X8MM

LTI LONDON TAXI

BMCV06 TAXI (GKN) CV 100MM Ø 25 SPLINE
DL515BK TAXI CV SHROUD & RUBBER (TO SUIT BMCV06)
BMCV43 LONDON TAXI CV 100MM ØX6X8MM 86MM PCD CASE WIDTH = 32MM SPLINES = 25
BMCV43/1 LONDON TAXI CV 100MM ØX6X8MM 86MM PCD CASE WIDTH = 32MM
SPLINES = 25 **INCLUDED FITTINGS / BOOT ETC**

BM REF # C.V JOINT ASSEMBLIES (CAR/VAN APPLICATIONS)

MERCEDES	
BMCV09	TO SUIT SPRINTER OMNIBUS 100.2X6X8.2MM - 12MM PLUNGE H =104.5MM (0617410010000)
BMCV13	TO SUIT SPRINTER OMNIBUS 108X6X10.2MM - PCD= 94MM 16MM PLUNGE H=111MM (0616515000000) TO SUIT 60X3MM TUBE
BMCV30	COMPLETE CV ASSY ML270 FOR SHAFTS EL 766MM & 696MM
MITSUBISHI	
BMCV53	PAJERO 106MM PCD H = 127MM SUIT
BMCV63	OUTLANDER & L200 (3 BOLT) 30 SPLINES, TUBE BASE DIA. 47.7MM
RENAULT	
BMCV51	KANGOO W/o ABS 28 SPLINE - C/w FITTING KIT
VOLVO	
BMCV15	VOLVO CV JOINT (78MM O/A - 65MM PCD) USE WITH DL5074 LOBRO REF
BMCV11	VOLVO CV JOINT (86MM O/A - 74MM PCD) USE WITH DL1418-86B LOBRO REF # 7153050177001
BMCV14	VOLVO CV JOINT (94MM O/A - 80MM PCD) USE WITH DL5074 LOBRO REF # 7153100177006
BMCV17	VOLVO CV JOINT (86MM DIA (74MM PCD) 19 SPLINES- C/w BOOT
DL1418-78B	VOLVO CV SHROUD & RUBBER (USE WITH BMCV15)
DL1418-86B	VOLVO CV SHROUD & RUBBER (USE WITH BMCV11)
DL5074	VOLVO CV SHROUD & RUBBER (USE WITH BMCV14)
VW	
BMCV57	VW TOUAREG 100X6X10MM PLUNGING TYPE 7153130198015
BMCV38/1	ALT VW TOUAREG REAR (DIFF END) 100X6X10M CV JOINT C/w STUB
BMCV38	VW TOUAREG REAR (DIFF END) 100X6X10M CV JOINT C/w STUB
6153139600063	BOOT KIT FOR BMCV38
BOOT/5	RUBBER BOOT & SHIELD TOUAREG/CAYENNE CENTRE CV
BOOT/8	RUBBER BOOT ONLY TOUAREG/CAYENNE CENTRE CV
BOOT/7	VW TOUAREG CV JOINT BOOT & SHIELD

BM REF # C.V JOINT ASSEMBLIES (OFFHIGHWAY)

0617512000000	1310SAE CV FIXED JOINT H=150MM / MAX ANGLE 40° "OFF HIGHWAY APPLICATIONS"
---------------	--

BM REF # C.V JOINT ASSEMBLIES (INDUSTRIAL)

BMCV02	128X2X12.2MM 108MM PCD LOBRO 0617421000000 - 7153210110001
BMCV07	CV & 50X3 STUB ASSY 80MM PCD 94X6X8.2MM 061651002000
BMCV08	LOBRO 0617413000000 (99.73X6X8.2MM) PCD = 86MM
BMCV19	CV JOINT 0617415000000 LOBRO 797 108X6X10
06 165 13 00	PLUNGING CV JOINT 99.73MM O/A (86MM PCD)

MAXIMUM CONTINUOUS TORQUE RATING IN (Nm) BY SERIES

Nm	WING BRG	WING BRG	GWB	GWB	GWB 687	DANA SPL	KLEIN	GLAENZER	VOLVO	ELBE	GEWES	EDS / MERC
	DANA IC, GKN	ELBE	587 SRS	COMPACT	& 10 SRS	SPICER	SCANIA	KEMPF				
250			473.10							0.105		1000.1012
350											GEWES 15	1000.1022
416			473.20									
520										0.106		1000.1032
666			473.30								GEWES 28	
800												1000.1042
1150						1120						
1205						1210				0.107	GEWES 30	
1250			287.00									
1400			687.10			SPL14						1000.1052
1490	2C											
1800						SPL18						
2170						1310				0.106		
2250						SPL22 / 1315		1315				
2400			287.10								GEWES 43	
2510					687.15							1000.1062
3000					1330 / SPL25							
3065					SPL30					0.110		
3280	3C / 4C				1350.00							
3390			287.20									
3500					687.20		123					
3600						SPL36	200					
3900						1410.00						
4000			587.10					1410				
4350										0.112	GEWES 53	
4600												
5000					687.25							
5350			587.12									
5500						SPL55 / 1480				0.113		

Nm	WING BRG DANA IC, GKN	WING BRG ELBE	GWB 587 SRS	GWB 687 COMPACT	DANA SPL & 10 SRS	KLEIN	GLAENZER SPICER	VOLVO SCANIA	ELBE	GEWES KEMPF	EDS / MERC
5500					SPL55 / 1480						
5650	5C	5C	587.15								
6500			687.30		SPL70 / 1550		GS506			KEMPF 1066	286.22
7000									0.148	GEWES 63	
7230	6C	6C									
8335						253.00					
8500							GS606				
8815					1610					GEWES 58	
9000					SPL 90						
9600		7C									
10000			587.20	687.35	SPL100						
10650								NK300	0.158 / 358		
10700	7C				1610 HD						
10850					1710	375 / 376					
11025										KEMPF 1073	286.33
11500			587.30					T60		GEWES 68	
12000								P30 / P300			
12420		8C									
13000					1710 HD		GS706		0.117		
14000			687.40		SPL140	490		NK400			
15500	8C									1075 / GEWES 69	286.37
16000								T70			
16670					1760 HD	411		P40			
17000			587.35	687.45	SPL170	590	GS806	P400		GEWES 70	
18000											
18850		8.5C	587.36					NK500			
20000						600 / 610					
20300	8.5C				1810 HD			P50			
21000			687.47		SPL170 HD		GS806R			GEWES 72	
21900			687.50					P500	0.120		

Nm	WING BRG DANA IC, GKN	WING BRG ELBE	GWB 587 SRS	GWB 687 COMPACT	DANA SPL & 10 SRS	KLEIN	GLAENZER SPICER	VOLVO SCANIA	ELBE	GEWES KEMPF	EDS / MERC
24000											
24500											
25000			587.42	687.55	SPL250	620		NK600		GEWES 73	1000.2500
25500								P600			
26670						650					
26990		9C									
27400	9C										
28000					1880		GS906			GEWES 77	
29000										KEMPF 1098	385.60
30000				687.60	SPL250 HD	680					
31000								P600R			
32500			190.50							KEMPF 1100	
33000										GEWES 80	1000S.2250
35000			587.48	687.65		700			ELBE 0.122	GEWES 79	1369.1100
37000											1000.2580
38300			587.50								
39700	10C										
40000										GEWES 83	1000S.2500
41600	11C										
41670			190.55								
42000										KEMPF 1105	
43000			587.50S								
44000											1085.2250
45000											
47000											1000S.2850
50000			190.55S / 190.60								
52000			587.55							KEMPF 1105	1000.3150
57000			587.60							GEWES 84/85/86	
60000			390.60								

Nm	WING BRG DANA IC, GKN	WING BRG ELBE	GWB 587 SRS	GWB 687 COMPACT	DANA SPL & 10 SRS	KLEIN	GLAENZER SPICER	VOLVO SCANIA	ELBE	GEWES KEMPF	EDS / MERC
61670			190.60S								
62200	12C										
64000											1085.2500
65000			190.65								
70000			392.50								1000S.3150
72000											1000.3500
73335			292.50								
75000											
75400	15C										
82800	12.5C										
86670			190.65S								
90000			390.65								
94000			190.70								1000.3900
98000											1085.2850
105000			392.55							KEMPF 1135	
106670			292.55								
108200	14.5C										
120000			190.70S							GEWES 90	
120600	14C										
130000			390.70								
136000											1000.4350
140000											1085.3150
143000										KEMPF 1135	
145000											1000S.3900
146670											
150000			390.60								
156670			190.75								
163350			292.60								
183340			190.75S							GEWES 95	
190000			390.75								1085.3500
195000											1000S.4350

Nm	WING BRG	WING BRG	GWB	GWB 687	DANA SPL	KLEIN	GLAENZER	VOLVO	ELBE	GEWES	EDS / MERC
	DANA IC, GKN	ELBE	587 SRS	COMPACT	& 10 SRS		SPICER	SCANIA		KEMPF	
215000			392.65							GEWES 97	
226670			190.80								
233335			292.65								
255000			390.80								
260000										GEWES 98	1085.3900
295000			392.70								
216670			292.70								
390000			393.75								
410000			492.75								
433335			292.75								
580000			393.80 /								
			492.80								
615000			292.80								
750000			393.85								
770000			492.85								
800000			292.85								
1111500			393.90								
1170000			492.90								
1200000			292.90								

